

9. Mount switches to new
facia plate



10. Connect all required circuit
points

Fix double DIN head unit on
dashboard



11. Place facia plate to finish
installation



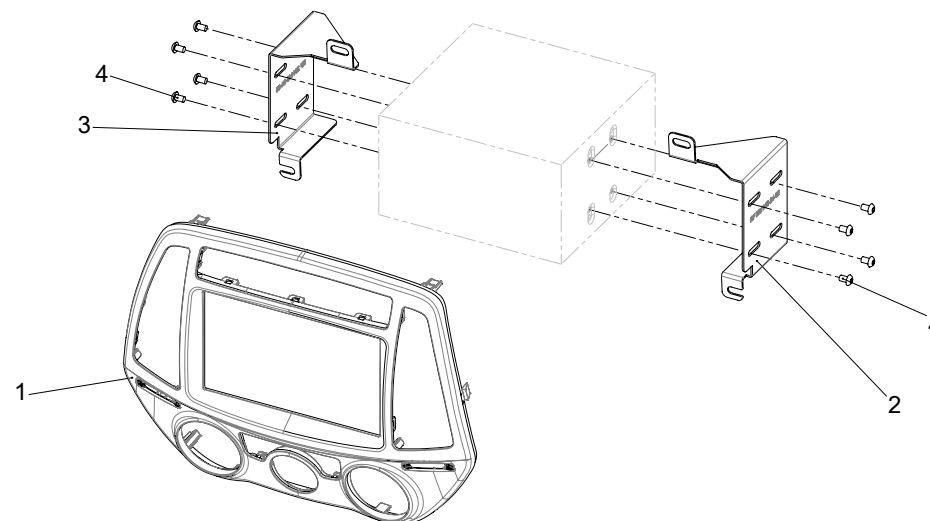
Double DIN Installation Manual

• Hyundai i20 2013 >
(with manual air condition)

colour / part-no.:
silver / 381143-24-1

Compatible with these double DIN devices

Double DIN Navigation

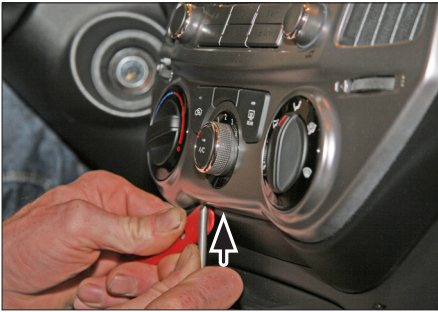


- (1) Facia Plate
- (2) Mounting bracket right
- (3) Mounting bracket left
- (4) flat headed screw

*All installation work must be performed by a qualified professional installer only.
The manufacturer / dealer is not liable for any kind of incidental or indirect damages.*



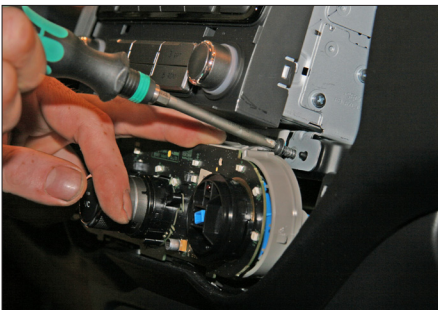
1. Hyundai i20 OEM dashboard



2. Unclip OEM bezel



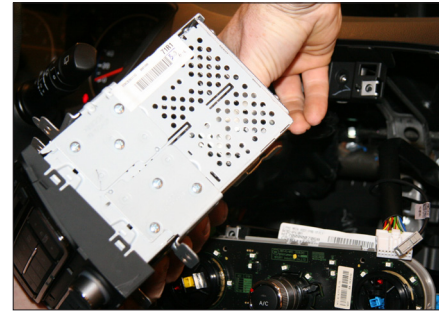
3. Remove OEM bezel



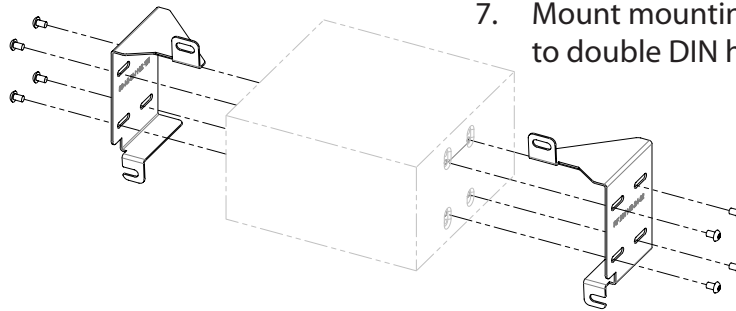
4. Remove screws of OEM head unit



5. Remove screw on top of OEM head unit



6. Remove OEM head unit
Remove switches (bottom)
Remove hazard light switch



7. Mount mounting brackets to double DIN head unit



8. Mount OEM air vents to new facia plate
Mount hazard light switch to new facia plate