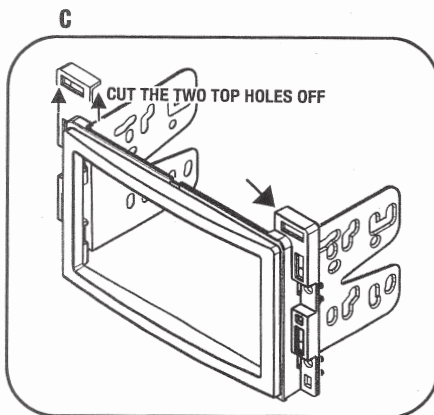
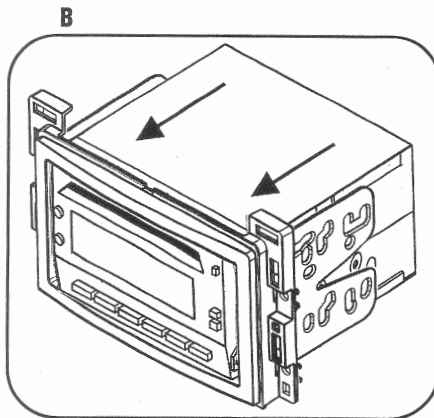
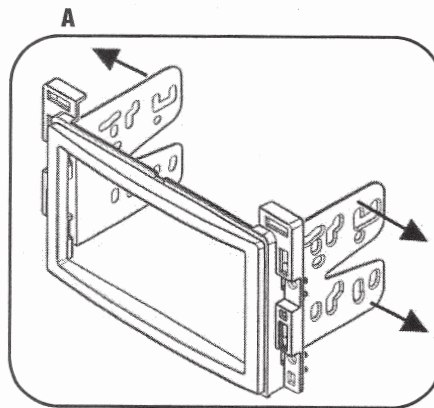


Double DIN Mount Radio Provision

- 1 Slide the appropriate bracket into the trim plate aligning the holes in the trim plate to the clips on the bracket. (Figure A)
- 2 Slide the DDIN radio unit into the trim plate bracket assembly and secure the unit to the kit using the screws supplied with the head unit. (Figure B)
- 3 **Aura, HHR, Sky and Vue only:** Cut and remove top mounting tabs on each side of the Radio Housing. (Figure C)

Continue to final assembly.



*All installation work must be performed by a qualified professional installer only.
The manufacturer / dealer is not liable for any kind of incidental or indirect damages.*



Installation Manual
Double DIN Kit 381087-02

Compatible with double DIN devices

Chevrolet Cobalt 2005-2007
Chevrolet Equinox 2005-2007
Chevrolet HHR 2006-2007
Chevrolet Malibu 2004-2007
Pontiac G6 01/2005->
Saturn Vue 2006-2007
Pontiac Torrent 2006-2007
Saturn Sky 2006-2007



Chevrolet Cobalt 2005-2007

1 Disconnect the negative battery terminal to prevent an accidental short circuit.

2 Unclip and remove trim panel from above glove box. **(Figure A)**

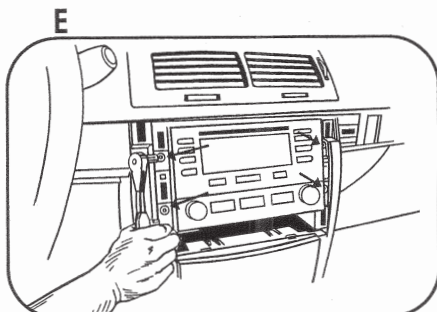
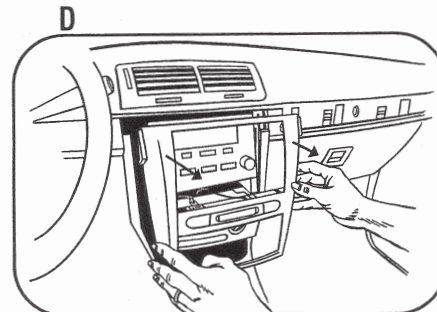
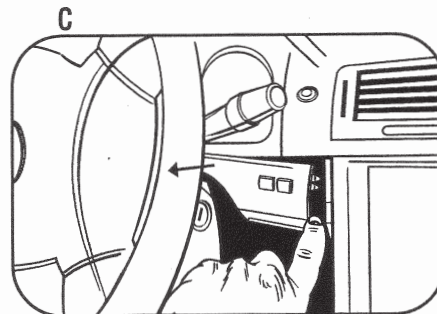
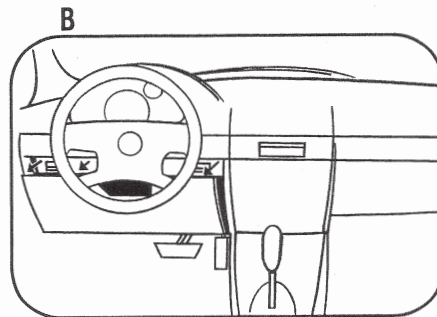
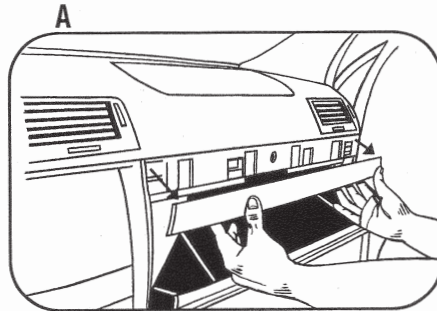
3 Unclip upper edge of panel below steering column and let hang. Not necessary to remove completely. **(Figure B)**

4 Unclip and remove small trim panel to right of ignition switch. **(Figure C)**

5 Unclip and remove trim panel surrounding radio and climate controls. **(Figure D)**

6 Remove (4) 9/32 screws securing radio. Unplug and remove the radio. **(Figure E)**

Continue to kit assembly.



Saturn Sky 2006-2007

1 Disconnect the negative battery terminal to prevent an accidental short circuit.

2 Unclip and remove side panel from driver's side of dash with door open and remove (2) 7 MM screws. **(Figure A)**

3 Remove (2) 7 MM screws from bottom edge of panel below steering wheel, unclip panel and remove panel.

4 Unclip and remove side panel from passenger side of dash with door open and remove (2) 7 MM screws from behind panel. **(Figure B)**

5 Open the glove box and disconnect the glove box dampener from the glove box assembly. Squeeze sides together to open further. **(Figure C)**

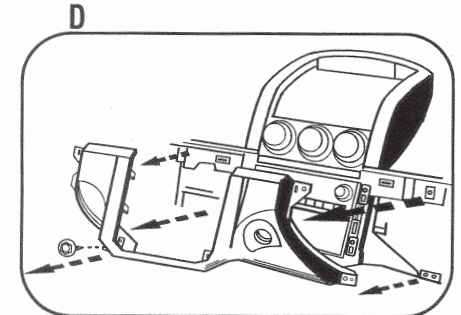
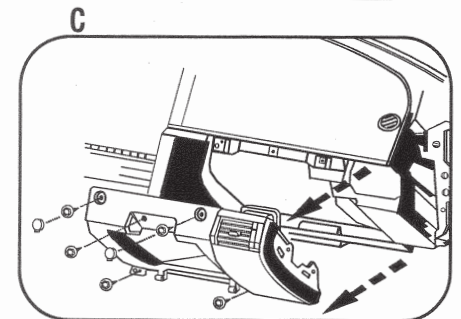
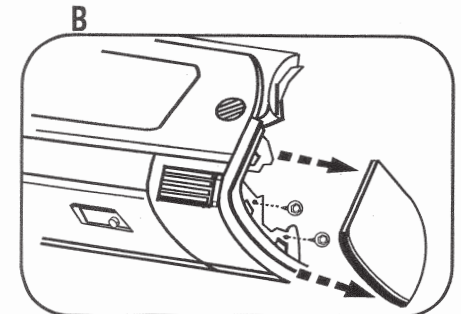
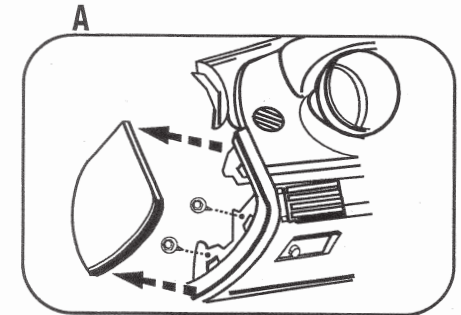
6 Remove (2) bolt covers from top edge of glove box frame. **(Figure C)**

7 Remove (5) bolts from glove box frame and remove frame. **(Figure C)**

8 Remove (1) screw from lower left corner of radio trim panel and unplug connectors to remove panel. **(Figure D)**

9 Remove (4) screws securing the radio. Unplug and remove the radio.

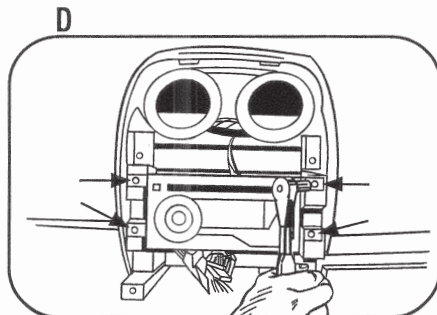
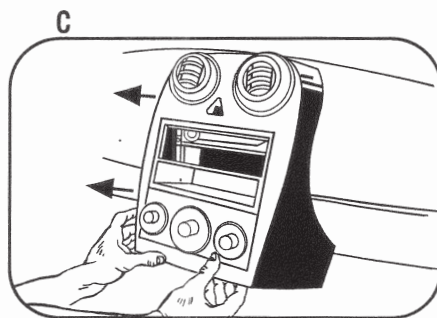
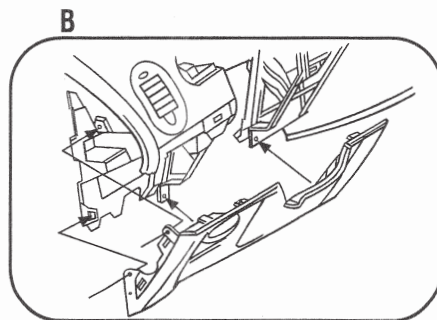
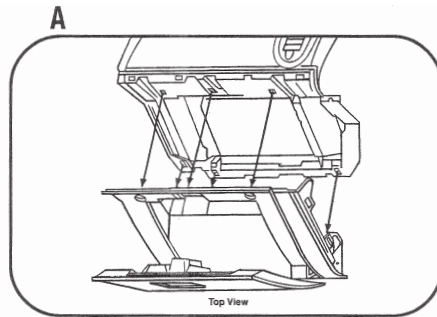
Continue to kit assembly.



Pontiac G6 2005-2007

- 1 Disconnect the negative battery terminal to prevent an accidental short circuit.
- 2 Open glove box and remove (6) screws from outer edge then unclip and remove box. **(Figure A)**
- 3 Remove (4) screws from panel below steering column. Unclip and remove panel. **(Figure B)**
- 4 Unclip and remove center panel surrounding radio and A/C controls. **(Figure C)**
- 5 Remove (4) screws securing the radio. Unplug and remove the radio. **(Figure D)**

Continue to kit assembly.

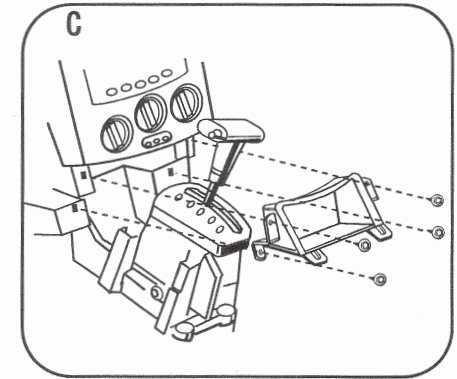
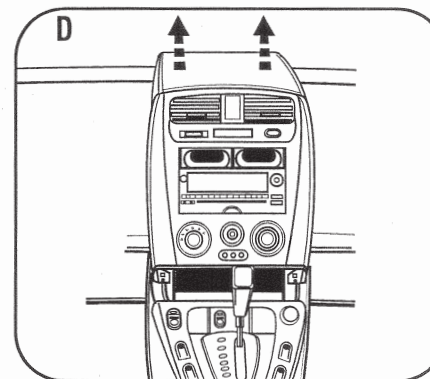
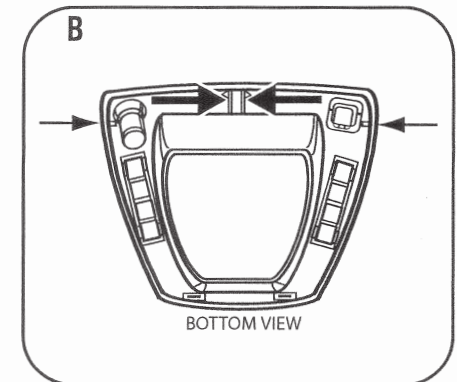
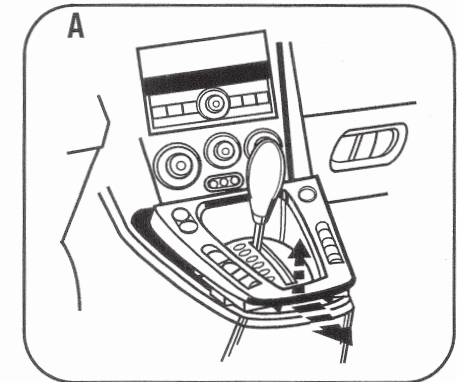


6

Saturn Vue 2006-2007

- 1 Disconnect the negative battery terminal to prevent an accidental short circuit.
- 2 Grasp the front edge of the shifter trim panel and pull outward and upward. **(Figure A)**
- 3 Squeeze the locking tabs located at the front edge of the shifter trim panel together to release the front edge of the panel from the center console. **(Figure B)**
- 4 Pull upward on the panel to release the remaining clips, and remove trim panel.
- 5 Remove (4) screws securing storage pocket and remove pocket. **(Figure C)**
- 6 Unclip and remove center dash trim panel. **(Figure D)**
- 7 Remove (4) screws securing the radio. Unplug and remove the radio.

Continue to kit assembly.

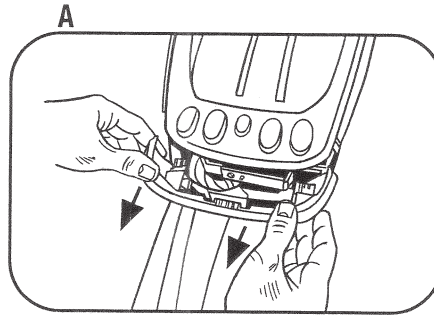


11

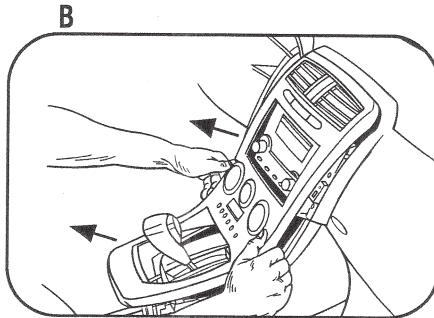
Chevrolet Equinox 2005-2007 Pontiac Torrent 2006-2007

1 Disconnect the negative battery terminal to prevent an accidental short circuit.

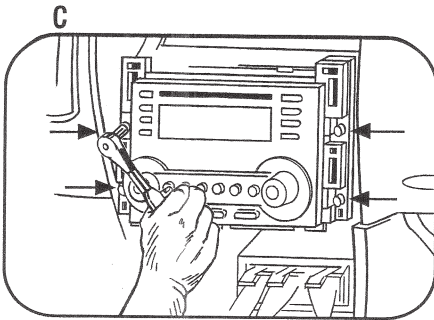
2 Unsnap panel below power window switch and remove. **Note:** This allows you to unplug the window switch easier. **(Figure A)**



3 Unsnap and remove entire panel surrounding radio and shifter. **(Figure B)**



4 Remove (4) 9/32 screws securing radio. Unplug and remove the radio. **(Figure C)**



Continue to kit assembly.

Chevrolet HHR 2006-2007

1 Disconnect the negative battery terminal to prevent an accidental short circuit.

2 Unclip and remove entire panel surrounding radio and a/c controls including the a/c vents. **(Figure A)**

3 Remove (8) 9/32" screws securing radio and a/c control to remove radio. **(Figure B)**

Continue to kit assembly.

