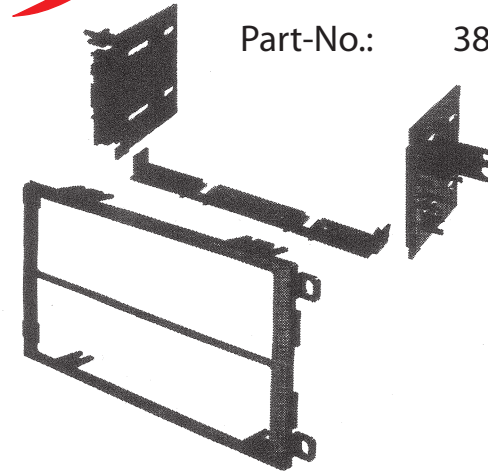




Installation Manual Double DIN Kit

Part-No.: 381238-05



VEHICLE APPLICATIONS *Fits oversized Delco Radio dash opening only

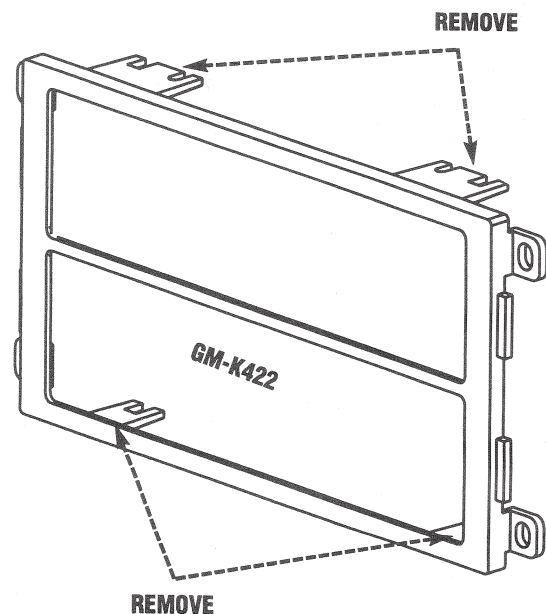
Buick		Chevrolet Cont.		Isuzu Cont.	
1997-05	CENTURY	2007	SILVERADO	2006	i350
1995-05	LE SABRE		Classic	2007-09	i290
1995-05	PARK AVE	2003-06	SUBURBAN	2007-09	i370
2004-07	RAINIER	2003-06	TAHOE	Oldsmobile	
1995-04	REGAL	1998-04	TRACKER	1996-98	ACHIEVA
2002-08	RENDEZVOUS	2002-08	TRAILBLAZER	1999-04	ALERO
1996-99	RIVIERA	2000-05	VENTURE	1995-03	AURORA
1995-96	ROADMASTER	Geo		1998-04	BRAVADA
1996-98	SKYLARK	1995-97	METRO	1995-99	CUTLASS/SUPREME
Cadillac		GMC		1994-99	DELTA 88/ROYALE
1990-96	FLEETWOOD	2004-09	CANYON	1998-02	INTRIGUE
	Brougham	2002-06	ENVOY	1996-99	LSS
1992-95	EL DORADO	2002-04	*JIMMY	1994-96	NINETY-EIGHT
2003-06	ESCALADE	(Oversized and Standard Radios)		2000-04	SILOUETTE
1992-95	SEVILLE	2001-04	SAVANA VAN	Pontiac	
Chevrolet		2003-06	SIERRA	2001-05	AZTEK
2003-06	AVALANCHE	2007	SIERRA Classic	2000-04	BONNEVILLE
2002	*BLAZER	2002	*SONOMA	2001-03	GRAND AM
2003-04	BLAZER	2003-04	SONOMA	2000-05	SUNFIRE
2000-05	CAVALIER	2003-06	YUKON	2000-04	MONTANA
2004-09	COLORADO	2003-06	XL	2003-08	VIBE
2001-07	EXPRESS VAN	Honda		Suzuki	
2000-05	IMPALA	1998-02	PASSPORT	2002	AERIO
2001-03	MALIBU	Hummer		1992-98	SIDEKICK
1998-01	METRO	2003-07	H2	1998-02	ESTEEM
2000-05	MONTE CARLO	Isuzu		1999-02	GRAND VITARA
2004-06	SSR	1998-00	AMIGO	1995-02	SWIFT
2002	*S-10 P/U	2003-08	ASCENDER	1999-03	VITARA
2002-04	S-10 P/U	1998-02	RODEO	2002	XL-7
2003-06	SILVERADO	2006	i280	Toyota	
				2003-04	MATRIX

BRACKET PREPARATION

For All Vehicles Not Including

1990-96 Fleetwood/Brougham

Remove the (2) top and the (2) bottom mounting tabs located on the Trim ring of the GM-K422 kit.



For 1990-1996 Cadillac Fleetwood/Brougham instructions
See page 6

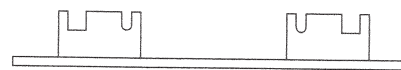
1990-1996 CADILLAC FLEETWOOD / FLEETWOOD BROUGHAM

DASH DISASSEMBLY INSTRUCTIONS

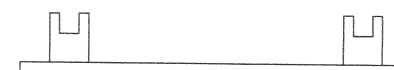
1. Carefully unclip the dash trim bezel from above the climate controls.
2. Remove the (2) screws securing the top of the Radio/climate control trim bezel, carefully unclip and remove bezel.
3. Remove the (4) screws securing the radio to the sub-dash.
4. Carefully slide radio out of the dash, disconnect all wire harnesses and antenna lead (if applicable) and remove radio.
5. Remove the top and bottom mounting brackets from the factory radio; you will need to attach these brackets to the installation kit following the instructions in the kit.

FACTORY BRACKET ATTACHMENT INSTRUCTIONS

1. Attach top factory mounting bracket (using carriage bolts and nuts supplied with kit) to top edge of kit.
2. Attach bottom factory mounting bracket (using carriage bolts and nuts supplied with kit) to bottom edge of kit.



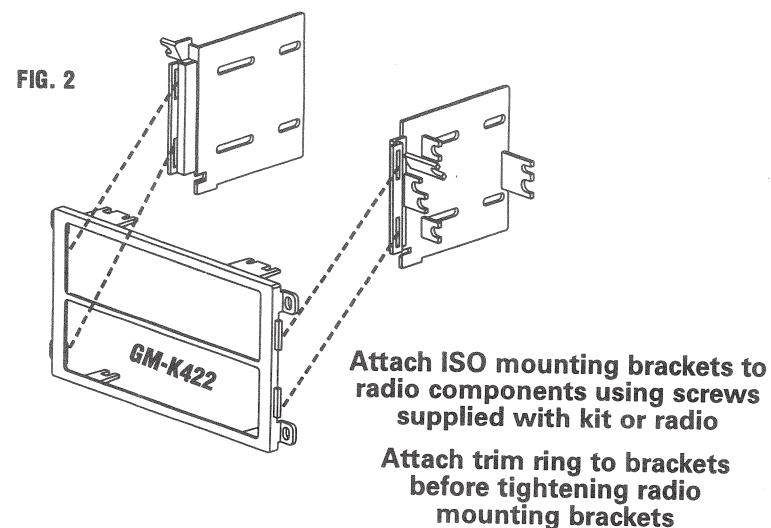
View of the Top Edge



View of the Bottom Edge

ISO MOUNT INSTRUCTIONS

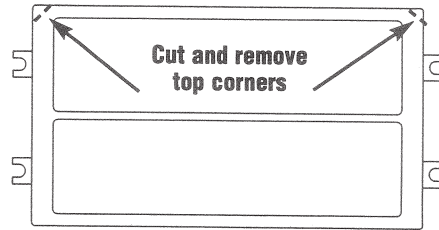
REMOVE ALL MOUNTING TABS ON THE SIDE BRACKETS.
REMOVE (4) SIDE MOUNTING TABS ON ISO TRIM RING.



DASH DISASSEMBLY INSTRUCTIONS

1. Open ashtray and remove ashtray cup.
2. Remove (1) phillips screw from rear of ashtray cavity.
3. Carefully unclip trim bezel from around radio/lighter assembly.
4. Disconnect wire harness from lighter and remove trim assembly.
5. Remove the (4) phillips screws securing radio to subdash.
6. Pull radio forward, disconnect the wire harness and antenna lead and remove radio.

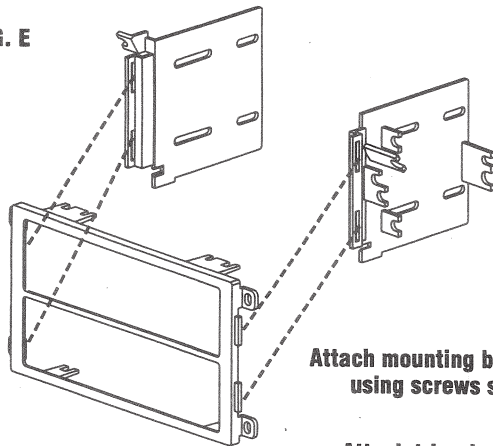
FIG. C



****Remove all mounting tabs on the Side Brackets not shown above.
Remove all mounting Tabs on ISO Trim Ring**

Honda **Izusu**
PASSPORT AMIGO
 RODEO

FIG. E

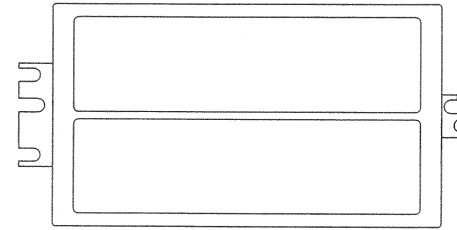


Attach mounting brackets to radio components using screws supplied with kit or radio

Attach trim ring to brackets before tightening radio mounting brackets

SIDE BRACKET PREPARATION

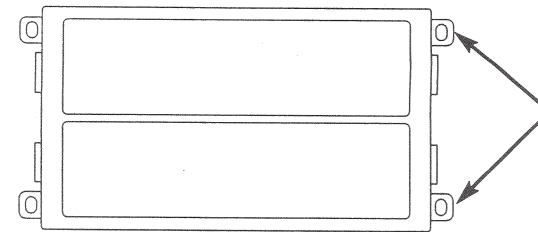
FIG. A



****Remove all mounting tabs on the Side Brackets not shown above.
Remove all mounting Tabs on ISO Trim Ring**

Buick CENTURY LA SABRE PARK AVE REGAL REGENCY RENDEZVOUS RIVIERA ROADMASTER SKYLARK	Cadillac ESCALADE Chevrolet BLAZER CAVALIER COLORADO EXPRESS VAN IMPALA MALIBU MONTE CARLO S-10 P/U SILVERADO SUBURBAN	SSR TAHOE VENTURE GMC CANYON ENVOY JIMMY SIERRA YUKON XL Hummer H2	Isuzu ASCENDER i-280 / i-290 i-350 / i-370 Oldsmobile ACHIEVA ALERO AURORA BRAVADA CUTLASS SUPREME DELTA 88/ROYALE INTRIGUE	Oldsmobile (Cont.) LSS NINETY-EIGHT SILOUETTE Pontiac AZTEK BONNEVILLE GRAND AM MONTANA SUNFIRE
-----------------------------------------------------------------------------------------------------------------------	--------------------------------------------------------------------------------------------------------------------------------------------------------------------------	--------------------------------------------------------------------------------------------------------------------------	-------------------------------------------------------------------------------------------------------------------------------------------------------------------------------	------------------------------------------------------------------------------------------------------------------------------------------

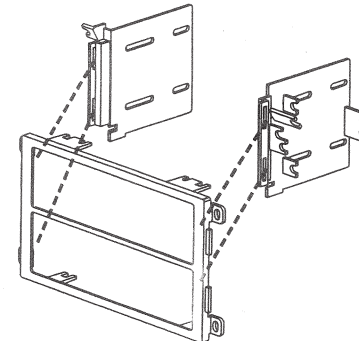
FIG. B



Do not remove these mounting tabs from ISO trim ring

****Remove all mounting tabs on the Side Brackets**

Chevy/GEO METRO TRACKER	Suzuki AERIO ESTEEM SIDEKICK SWIFT	GRAND VITARA VITARA XL-7
--------------------------------------	-------------------------------------------------------	------------------------------------------



Attach mounting brackets to radio components using screws supplied with kit or radio

Attach trim ring to brackets before tightening radio mounting brackets

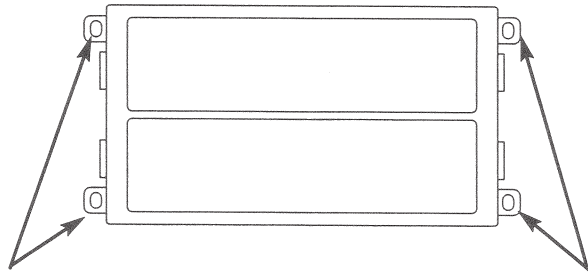
For All Vehicles Not Listed Below

1998-02 Honda Passport
 1998-00 Isuzu Amigo
 1998-02 Isuzu Rodeo

Attach mounting brackets to radio components using screws supplied with kit or radio

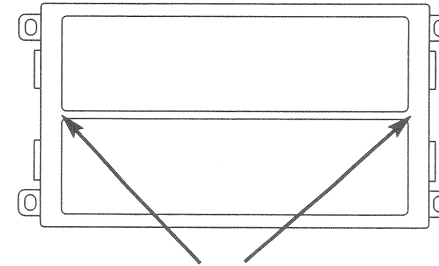
Attach trim ring to brackets before tightening radio mounting brackets

KIT ASSEMBLY



**Remove all mounting tabs on the ISO Trim ring

All Double DIN Applications



Cut and remove center rib and file sides smooth

See bracket preparation for your vehicle

Attach mounting brackets to radio components using screws supplied with kit or radio

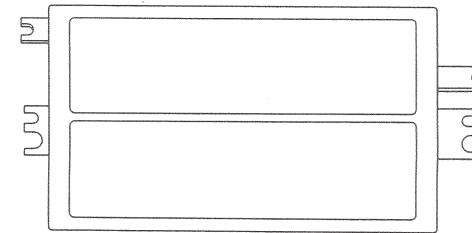
Attach trim ring to brackets before tightening radio mounting brackets

2003-08 Pontiac Vibe/2003-04 Toyota Matrix

DASH DISASSEMBLY INSTRUCTIONS

1. Starting from the bottom of the Radio trim bezel, carefully pry outward on the dash trim bezel to unclip the lower edge and sides.
2. Angle the dash trim bezel outward from the bottom and pull the top of the panel down to unfasten the two upper tabs.
3. Pull the trim bezel forward and disconnect all harnesses attached to the panel and remove panel.
4. Remove the harness clamp attached at the rear of the left factory radio bracket.
5. Remove the (4) 10mm bolts securing the factory radio to the sub-dash.
6. Pull radio forward, disconnect the wire harness and antenna lead and remove radio.

FIG. D



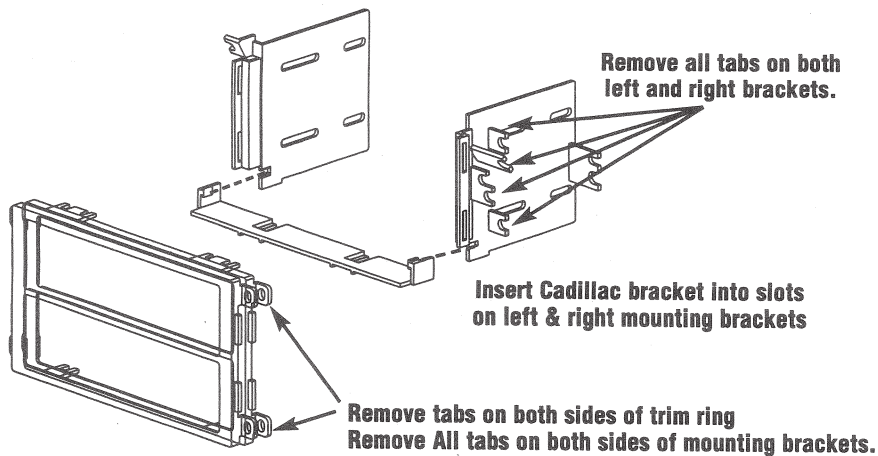
**Remove all mounting tabs on the Side Brackets not shown above.
 Remove all mounting Tabs on ISO Trim Ring

Toyota
 MATRIX Pontiac
 VIBE

For kit assembly instructions see Figure E on page 5

1992-95 Cadillac Applications

KIT ASSEMBLY



Using 2 nuts & bolts provided with kit, insert 1 bolt into each slot of Cadillac bracket facing downward as illustrated below

