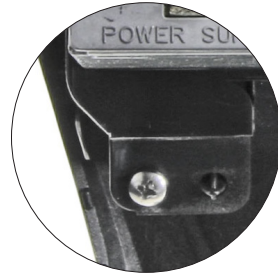




Installation Manual Double DIN Kit



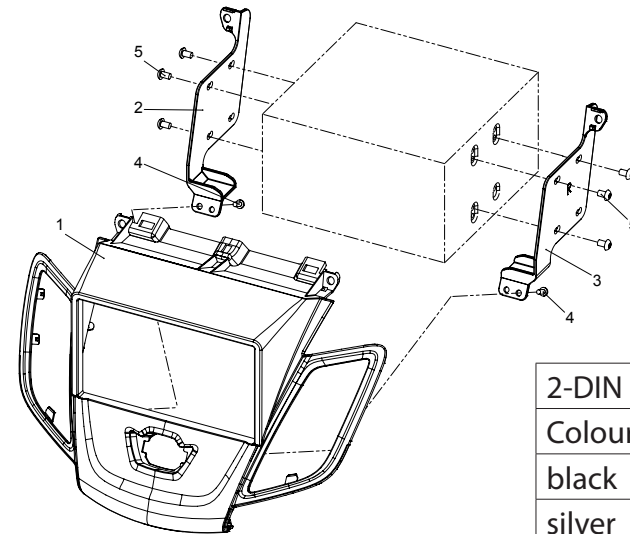
6. Mount Double DIN navigation to fascia plate.

Fix it with 2 Phillips screws (see arrows)

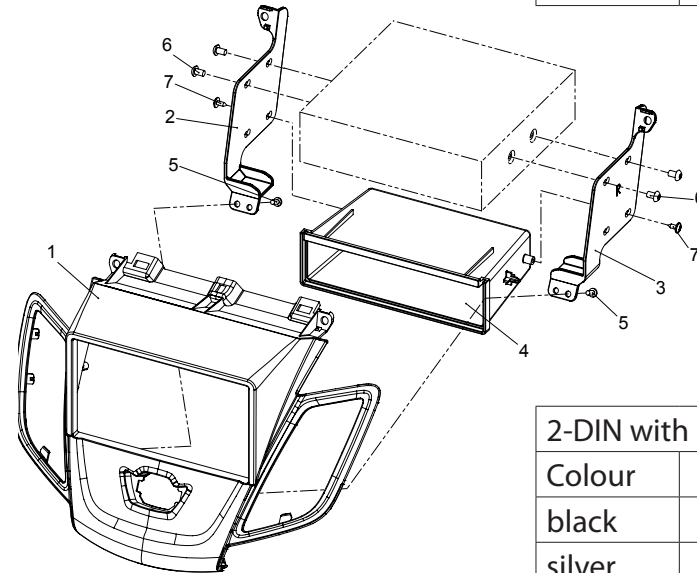
Connect all required circuit points

Mount both to the dash board

Ford Fiesta 2009-> (Models *without display* only)



2-DIN (without pocket)	
Colour	Part-No.:
black	381114-20-1
silver	381114-20-2



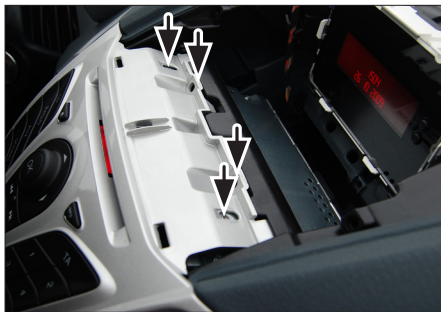
2-DIN with pocket	
Colour	Part-No.:
black	281114-20-1
silver	281114-20-2



1. Unclip the panel



2. Remove the panel



3. Remove the 4 screws of the OEM head unit



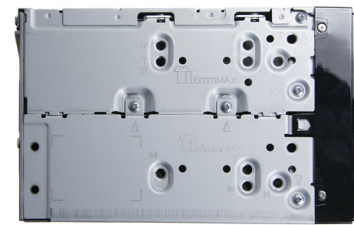
4. Remove the OEM head unit

Dismount the air vents

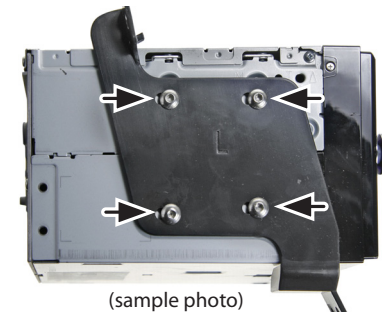
Mount the air vents to the new facia plate



5. Remove the middle bar (cut at the position marked with arrows)



(sample photo)



(sample photo)

6. Mount brackets left (L) and right (R) to Double DIN Navigation. Fix them with 8 flat headed hex sockets. Use the 1st. position (right) for screws

*All installation work must be performed by a qualified professional installer only.
The manufacturer / dealer is not liable for any kind of incidental or indirect damages.*