

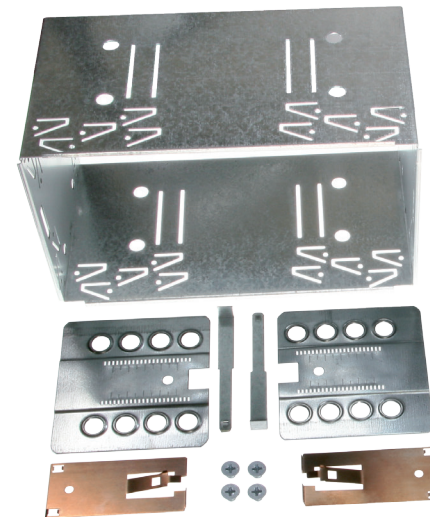


**Installation Manual  
Double DIN Kit**

**381038-01**

**colour: grey**

**Cadillac CTS 2003->  
Cadillac SRX 2004->**

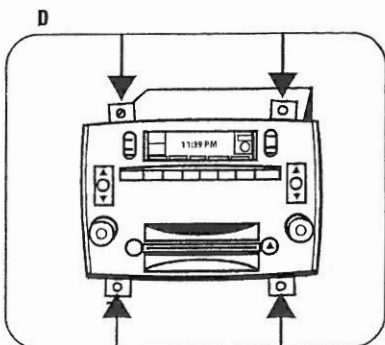
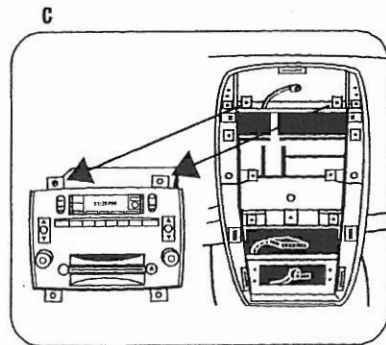
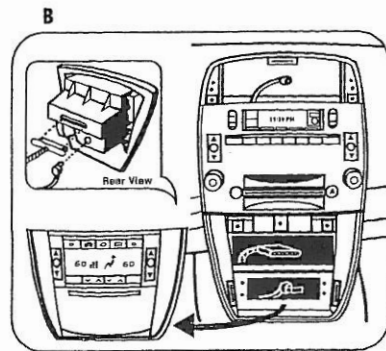
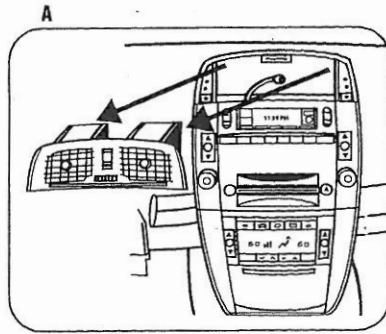


1 Disconnect the negative battery terminal to prevent an accidental short circuit.

2 Unclip and remove the center air vent assembly above the radio. (Figure A)

3 Unclip and remove the a/c control/ashtray assembly below the radio. (Figure B)

4 Remove (4) 10 MM screws securing the radio to the dash. (Figure C, D)



1 Remove the center bar from the 99-2006 radio housing. (Figure A)

2 Attach the corresponding bracket to the DDIN head unit. (Figure B)

3 Insert the DDIN trim plate into the radio housing. (Figure C)

4 Position the bracket/radio assembly to the back of the radio housing and secure with the (8) Phillips screws provided. (Figure D)

