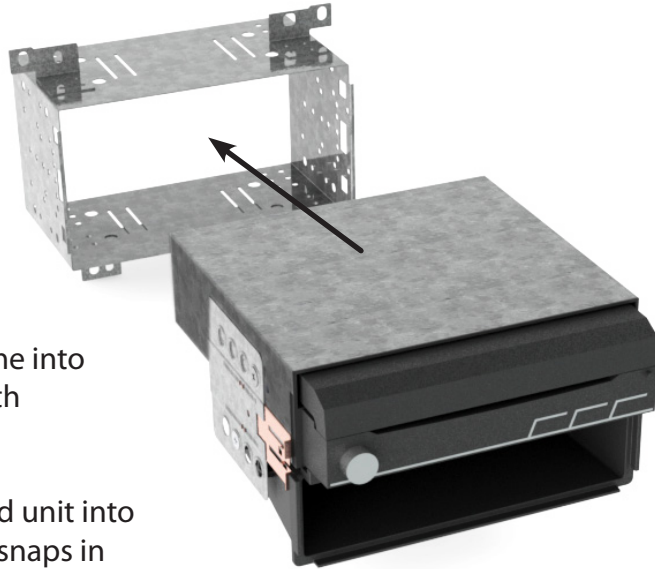


## Installation Manual Double DIN Kit



A: Push metal frame into dashboard. Fix it with the OEM screws

B: Push 1-DIN head unit into metal frame until it snaps in

C: Push facia plate over 1-DIN head unit and pocket. Push OEM center panel over facia plate. Fix it on dash board

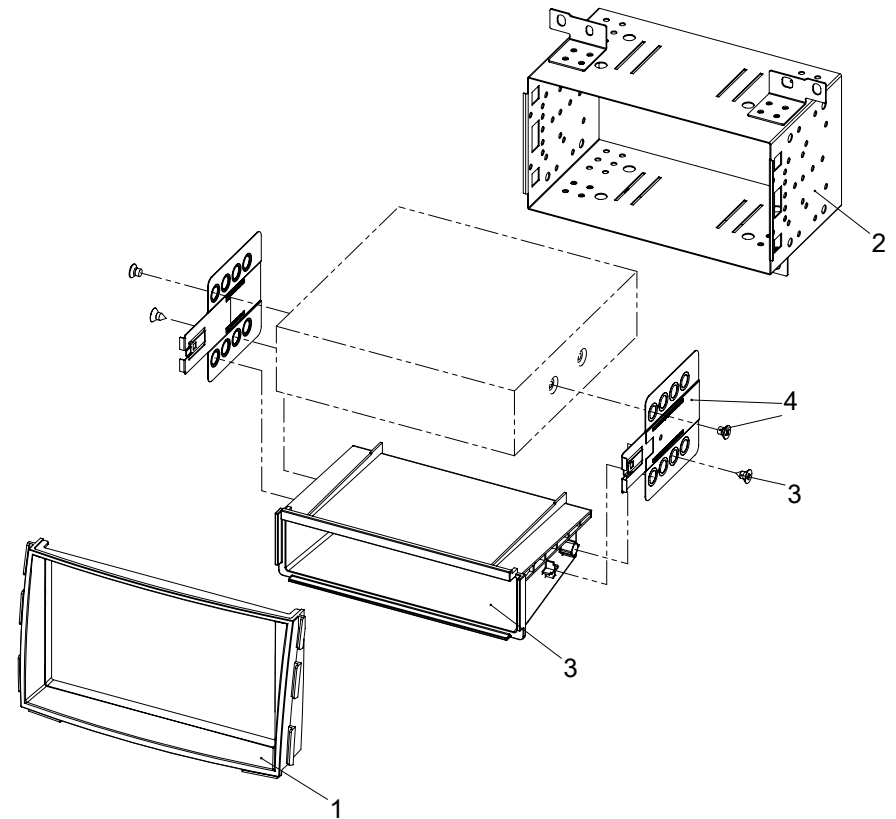


## Installation Manual 1-DIN Kit

Part-No.: 281178-27

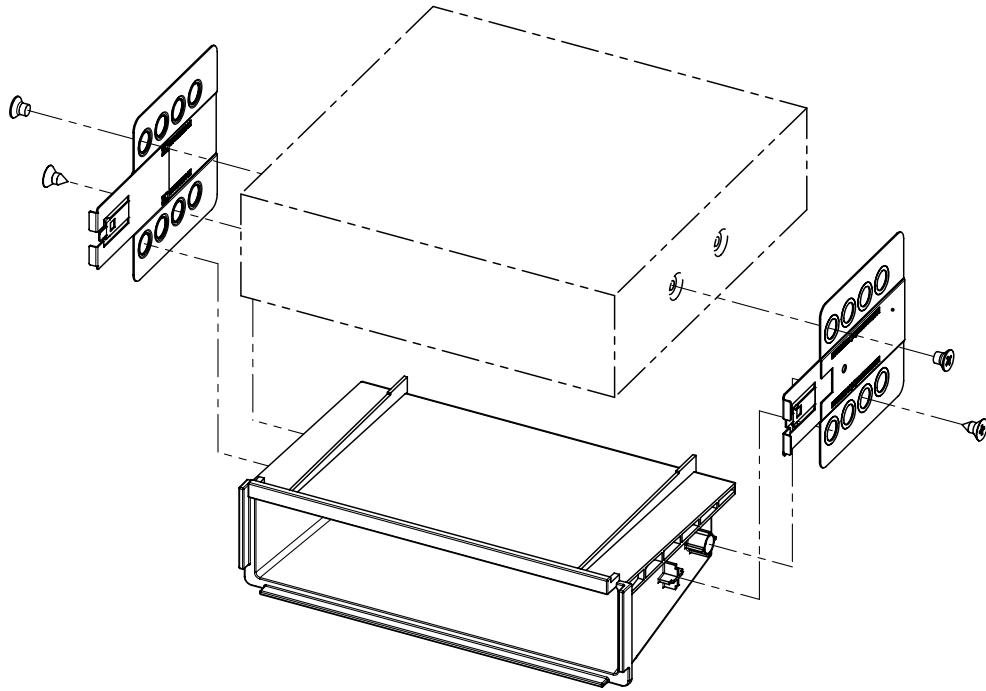
• Kia Cee'd 2010->

Compatible with 1-DIN devices



Double DIN Kit contents

- (1) facia plate
- (2) metal frame
- (3) pocket / 2 screws
- (4) mounting brackets



1-DIN head unit with pocket / mounting brackets

screws type A  
(for 1-DIN head unit)



Fix mounting brackets:

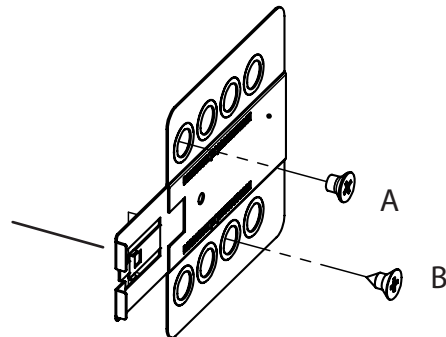
Use the first hole (seen from left) at top of mounting bracket to fix 1-DIN head unit. (use screws type A)



Use the third hole (seen from left) to fix the pocket (use screws type B)

screws type B  
(for pocket)

*Adjust installation depth to your individual needs*



Remove OEM Kia head unit