



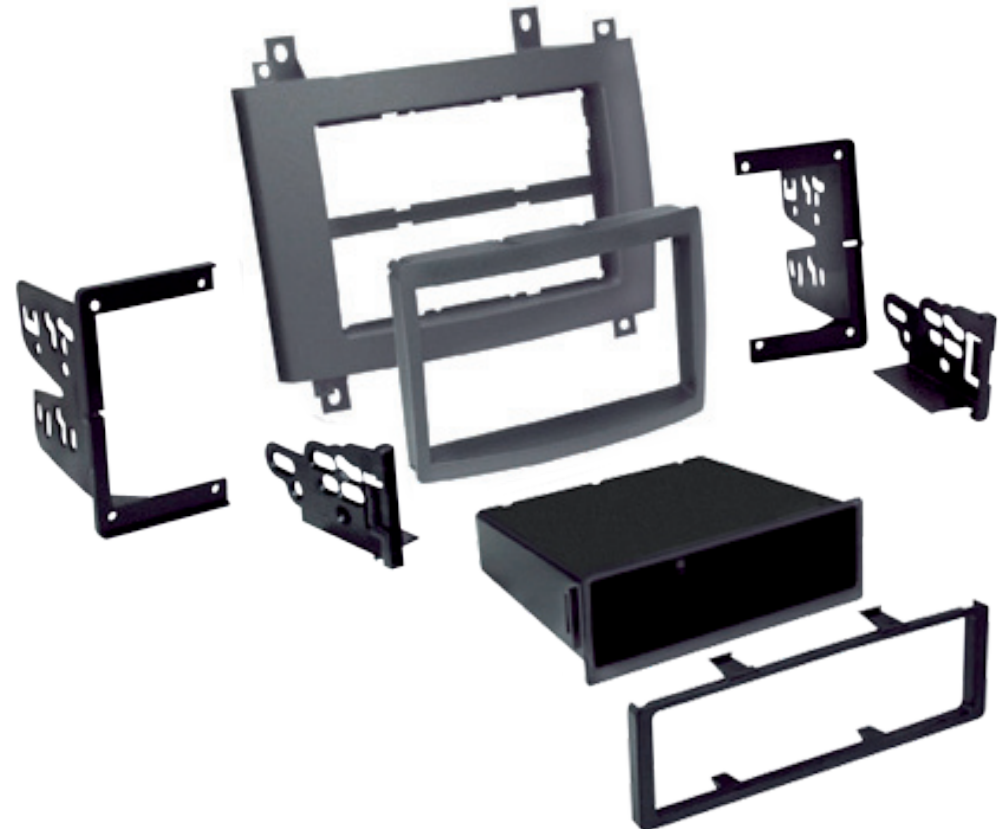
**Installation Manual
Double DIN Kit**

**part-no.: 381038-02
colour: black**

**Cadillac CTS 2003->
Cadillac SRX 2004->**

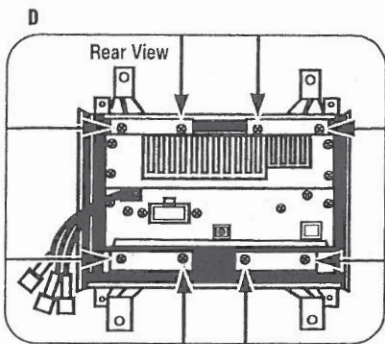
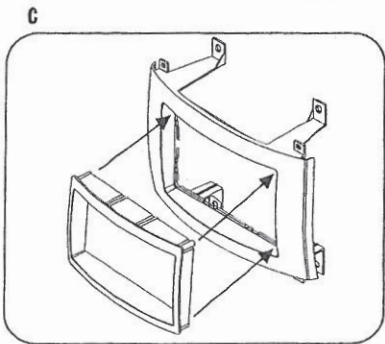
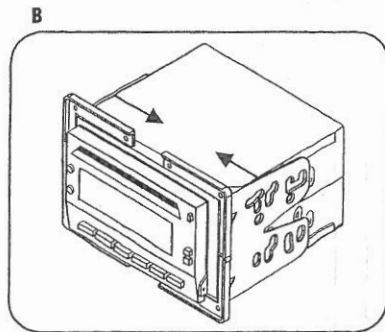
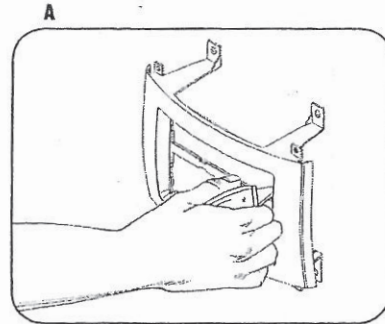
Compatible with these double DIN devices

Double DIN Navigation



Installation Manual Double DIN Kit

- 1 Remove the center bar from the 99-2006 radio housing. (Figure A)
- 2 Attach the corresponding bracket to the DDIN head unit. (Figure B)
- 3 Insert the DDIN trim plate into the radio housing. (Figure C)
- 4 Position the bracket/radio assembly to the back of the radio housing and secure with the (8) Phillips screws provided. (Figure D)



Installation Manual Double DIN Kit

- 1 Disconnect the negative battery terminal to prevent an accidental short circuit.
- 2 Unclip and remove the center air vent assembly above the radio. (Figure A)
- 3 Unclip and remove the a/c control/ashtray assembly below the radio. (Figure B)
- 4 Remove (4) 10 MM screws securing the radio to the dash. (Figure C, D)

