

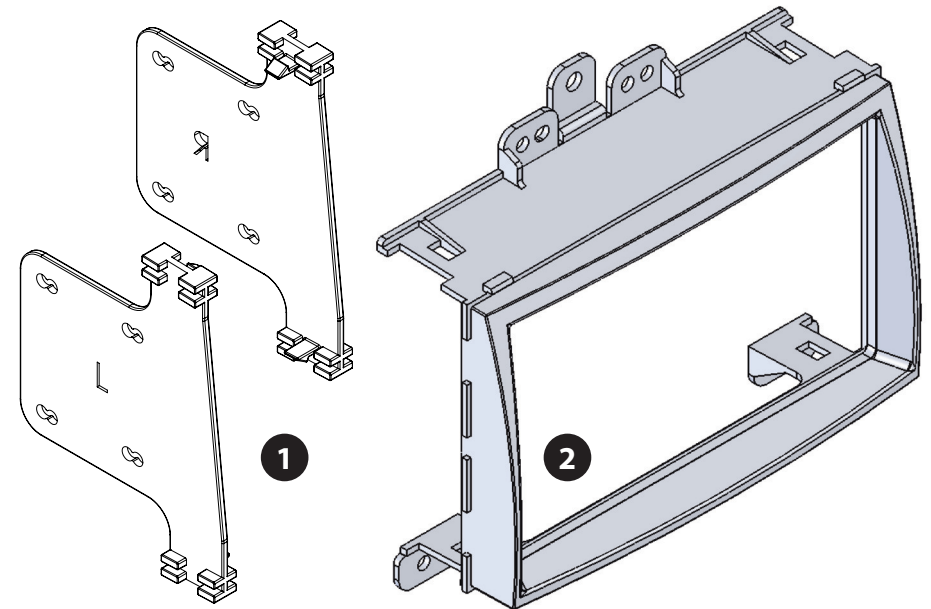


Installation Manual Double DIN Kit

Rubber-Touch: 391143-20-1

• Hyundai i20

Compatible with double DIN devices

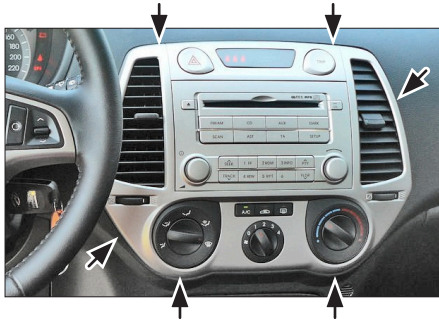


Double DIN Kit contents

- (1) Side Panels (left / right)
- (2) Facia Plate

Installation Manual Double DIN Kit

Hyundai i20

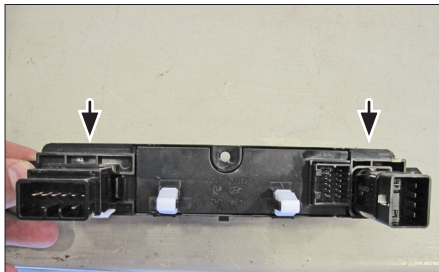


1. Unclip the Hyundai i20 OEM panel and remove it.

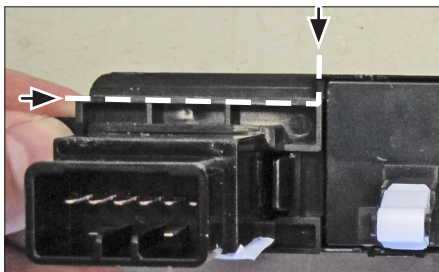
Remove the OEM-Radio.



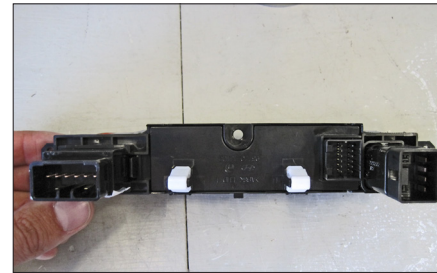
2. Remove upper panel (see arrows)



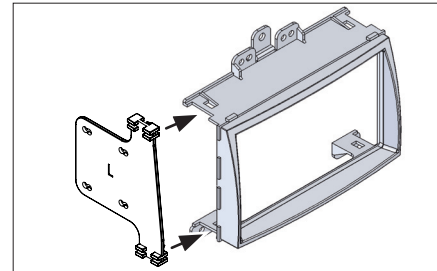
3. The panel has to be modified in order to fit



4. Cut out fin on both sides (see arrows)



5. Now the panel is ready to be installed



6. Mount the the side panels to the fascia plate:

The panel marked with a „L“ is for the left side, the panel marked with a „R“ is for the right side.



7. Fix the Double DIN Navigation with the Mounting Frame. Connect all required circuit points and place the Double DIN Navigation with the mounting frame on the dashboard.

8. Place the Hyundai OEM panel on the dash board