

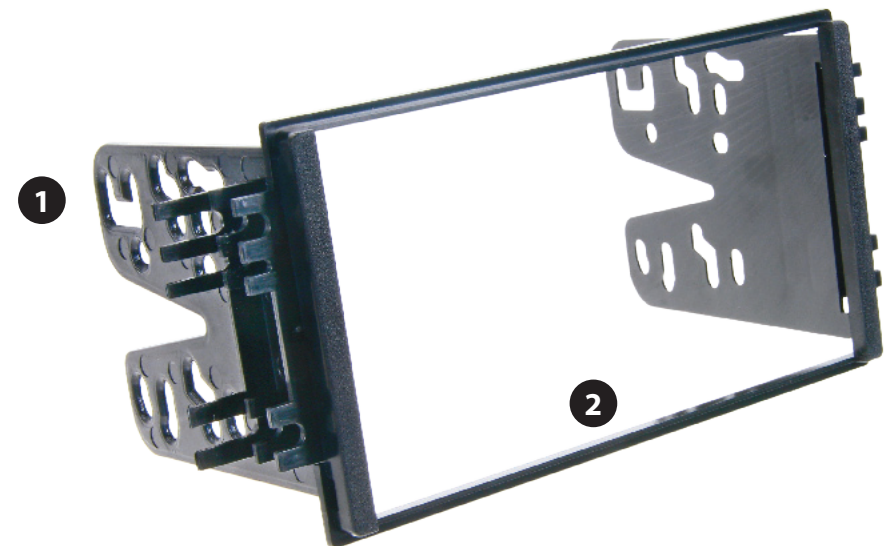


Installation Manual Double DIN Kit

Part-No.: 381178-17

- **Sorento LX excl. Sport / Kia Rio**
- **Kia Spectra / Sedona**

Compatible with double DIN devices

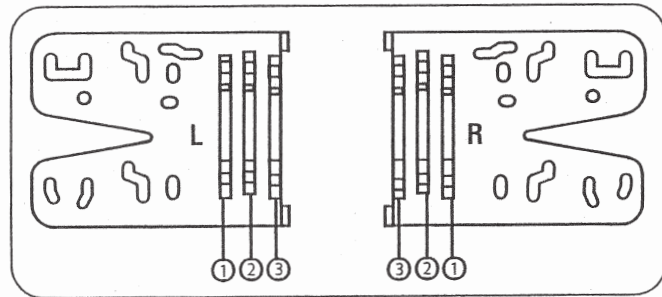


Double DIN Kit contents

- (1) Mounting Brackets
- (2) Facia Plate

TAB REMOVAL INSTRUCTIONS

You will need to cut and remove the tabs according to the chart and referring to the diagram below:



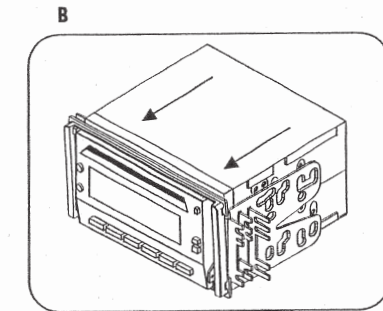
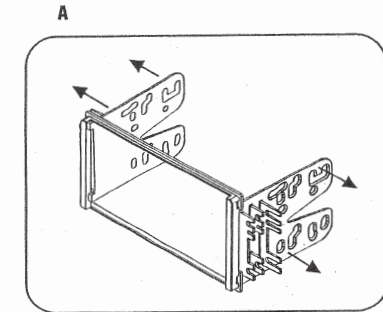
The 2002-2005 Kia Sedona and the 2001-2003 Kia Spectra will use the tabs marked by the number 2 on the brackets. Note: For the 2001-2003 Kia Spectra proceed to page 9 for Final Assembly.

The 2002-2005 Kia Rio will use the tabs marked by the number 3 on the brackets.

The 2003-2006 Sorrento LX and the 2004-2006 Kia Spectra will use the tabs marked by the number 1 on the brackets.

DOUBLE DIN HEAD UNIT PROVISION

- 1 Slide the appropriate bracket into the trim plate aligning the holes in the trim plate to the clips on the bracket. (Figure A)
- 2 Slide the DDIN radio unit into the trim plate bracket assembly and secure the unit to the kit using the screws supplied with the head unit. (Figure B)



2004-2006 KIA SPECTRA

- 1 Disconnect the negative battery terminal to prevent an accidental short circuit.
- 2 Unclip and remove entire panel surrounding radio and climate controls. (Figure A)
- 3 Remove (4) Phillips screws securing radio. (Figure B)

