



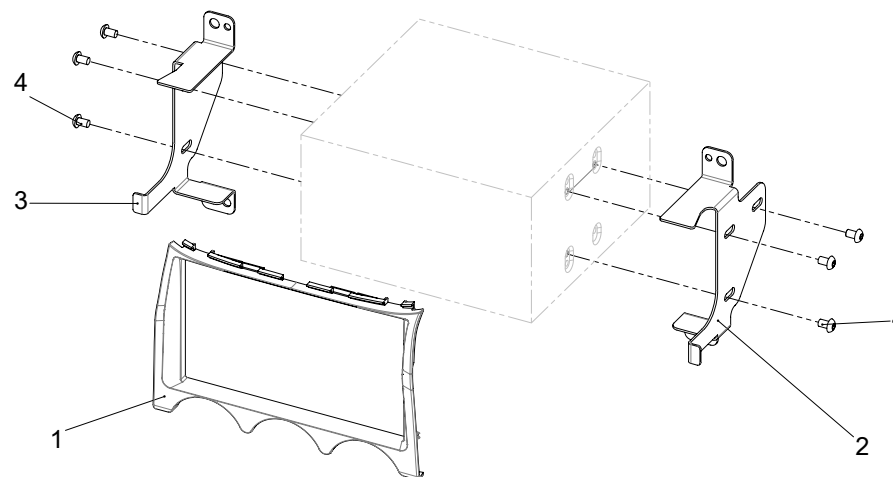
# Installation Manual Double DIN Kit

Part-No.: 381143-26-1

## • Hyundai Genesis Coupé 2013->

Compatible with these Double-DIN devices:

### Double-DIN Navigation



#### Double DIN Set contents

- (1) Facia Plate
- (2) Mounting bracket (R)
- (3) Mounting bracket (L)
- (4) Flat headed screw



1. Unclip top panel

---

---

---

---

---

---

---

---



2. Unplug cable carefully  
Remove top panel

---

---

---

---

---

---

---

---



3. Unclip gear lever panel

---

---

---

---

---

---

---

---



4. Remove gear lever panel

---

---

---

---

---

---

---

---



16. Reinstall panel



17. Put fascia plate over double DIN head unit



18. Reinstall everything in reverse order to finish installation



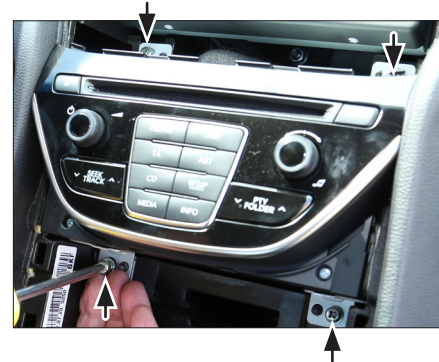
5. Remove 2 screws (see arrows)



6. Unclip panel by pulling it towards your direction (start from the bottom)



7. Remove panel and unplug cables on rear side

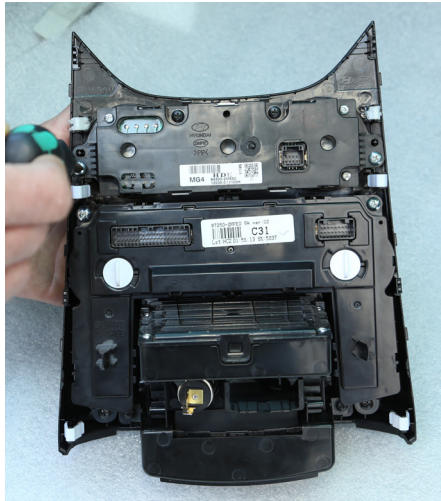


8. Remove 4 screws of OEM head unit (see arrows)





9. Remove OEM head unit and unplug connectors carefully



10. Remove round instruments for [ accleration / torque / oil ] from OEM panel



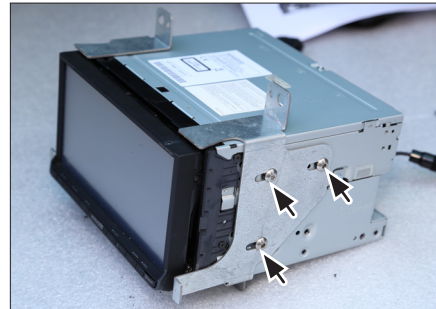
11. Prepare OEM panel for cutting:  
We recommend to use tape in order to protect panel surface



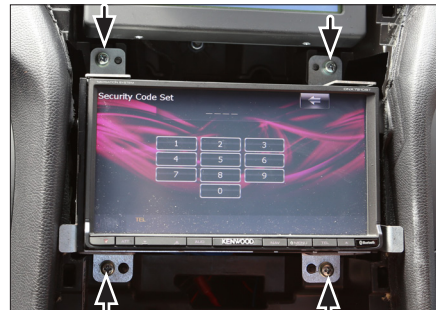
12. Cut OEM panel carefully 2 mm above the three instrument openings



13. Reinstall instruments



14. Attach mounting frames to double DIN head unit



15. Connect all required circuit points

Mount double DIN head unit on dashboard (see arrows)