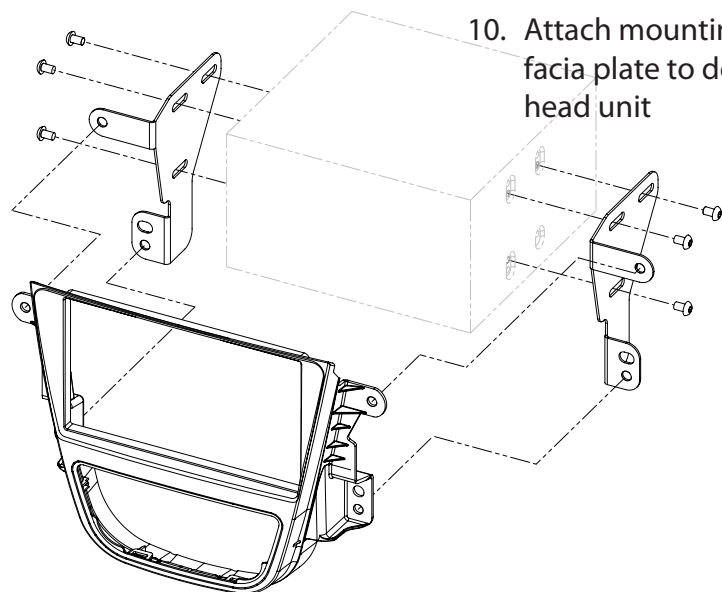


9. Cut away „bridge“ in order to clear space for double DIN head unit



10. Attach mounting frames and facia plate to double DIN head unit



11. Connect all required circuit points

Fix double DIN head unit on dashboard

Reinstall everything in reverse order to finish installation

*All installation work must be performed by a qualified professional installer only.  
The manufacturer / dealer is not liable for any kind of incidental or indirect damages.*



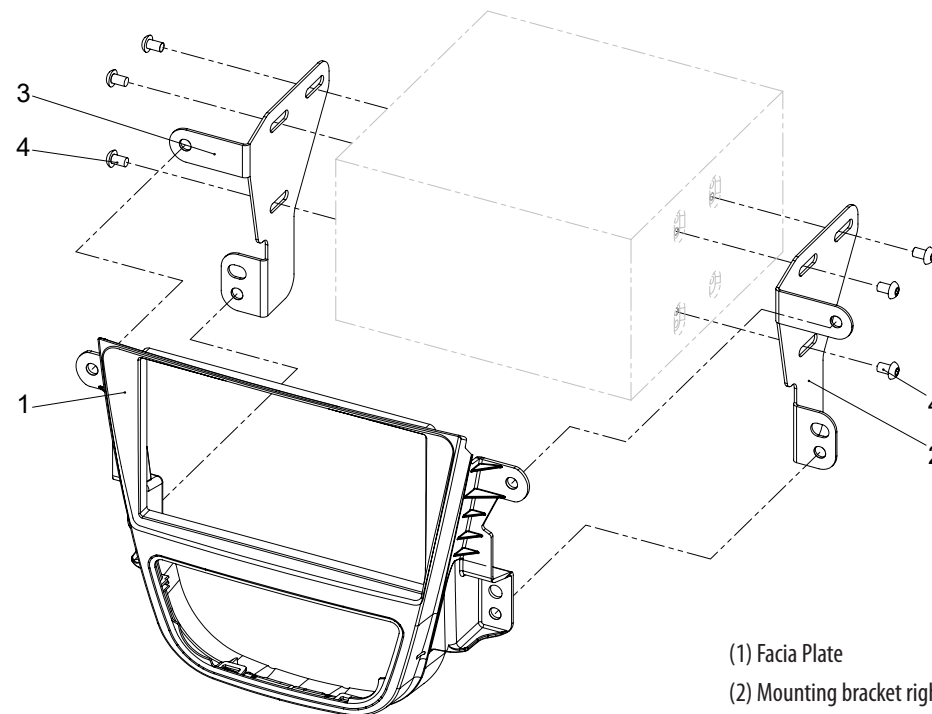
## Double DIN Installation Manual

• Opel Mokka (J-A) 10/2012 ->

colour / part-no.:  
black / 381230-27

Compatible with these double DIN devices

### Double DIN Navigation



- (1) Facia Plate
- (2) Mounting bracket right
- (3) Mounting bracket left
- (4) Flat headed screw



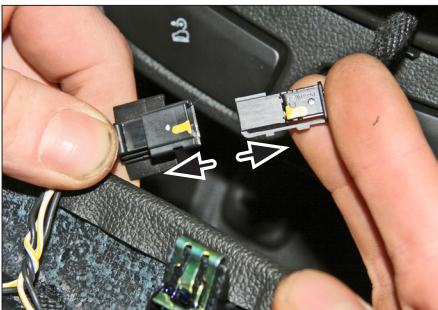
1. Opel Mokka OEM dashboard



2. Unclip panel carefully (see arrows)



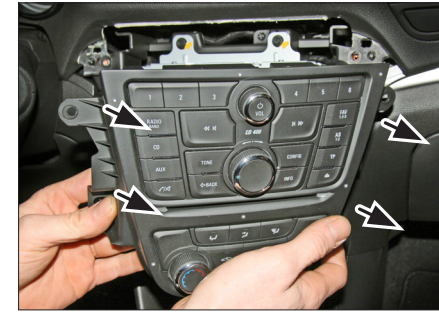
3. Pull panel towards your direction carefully



4. Unplug cable at the panel backside



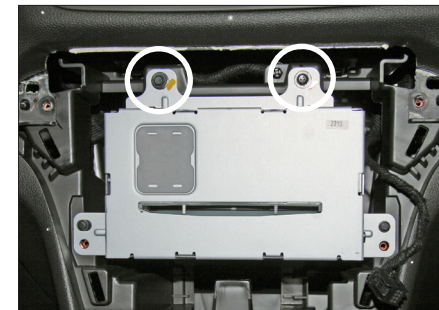
5. Remove screws of OEM head unit



6. Pull OEM control unit towards your direction



7. Remove two plugs



8. Remove two screws on top  
Pull out OEM head towards your direction

Unplug all cables of OEM head unit - and remove it