



8. Reinstall hazard light switch bar
- Reinstall dashboard panel



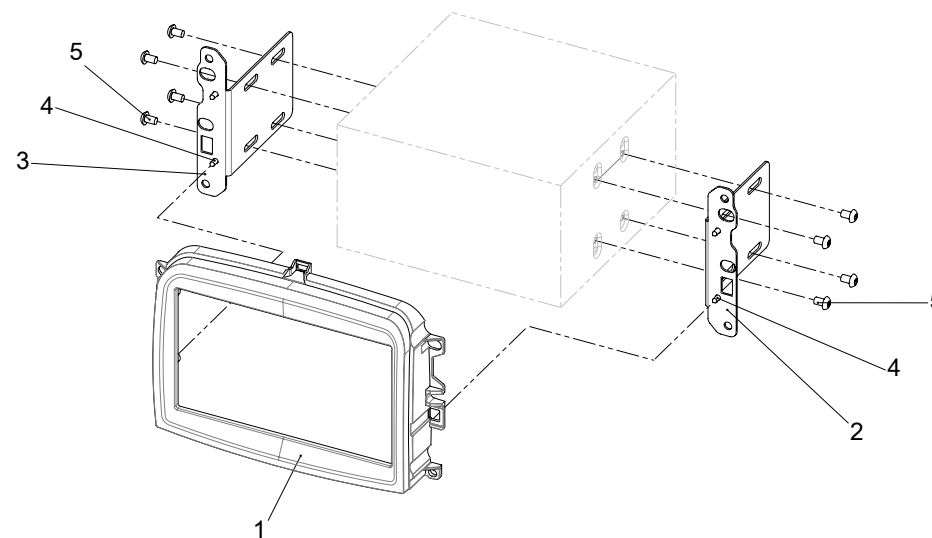
Double DIN Installation Manual

• Fiat 500 L 10/2012->

colour / part-no.:
black / 381094-28

Compatible with these double DIN devices

Double DIN Navigation



- (1) Facia Plate
- (2) Mounting bracket right
- (3) Mounting bracket left
- (4) self-tapping screw with collar
- (5) flat headed screw

*All installation work must be performed by a qualified professional installer only.
The manufacturer / dealer is not liable for any kind of incidental or indirect damages.*



1. Fiat 500L OEM dashboard



2. Unclip and remove panel carefully (see arrows)

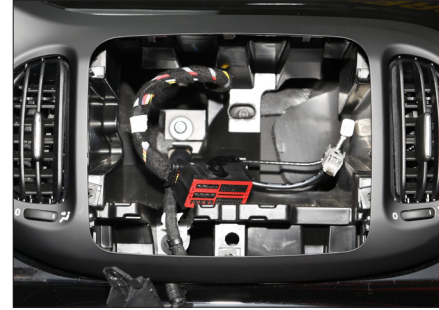


3. Remove 3 screws of hazard light switch bar (see arrows)

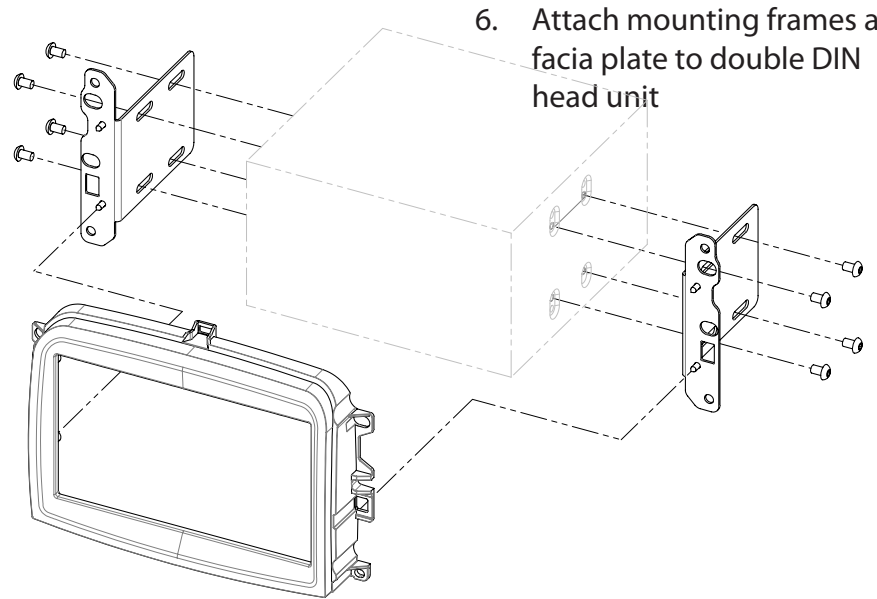


4. Pull hazard light switch bar towards your direction

Remove 4 screws of OEM head unit



5. Remove OEM head unit



6. Attach mounting frames and facia plate to double DIN head unit



7. Connect all required circuit points
Fix double DIN head unit on dashboard (see arrows)