

1. Connect all required circuit points push double DIN head unit into dashboard.

Fix it with both OEM screws
(see step 3)



2. Reinstall everything in reverse order to finish Installation



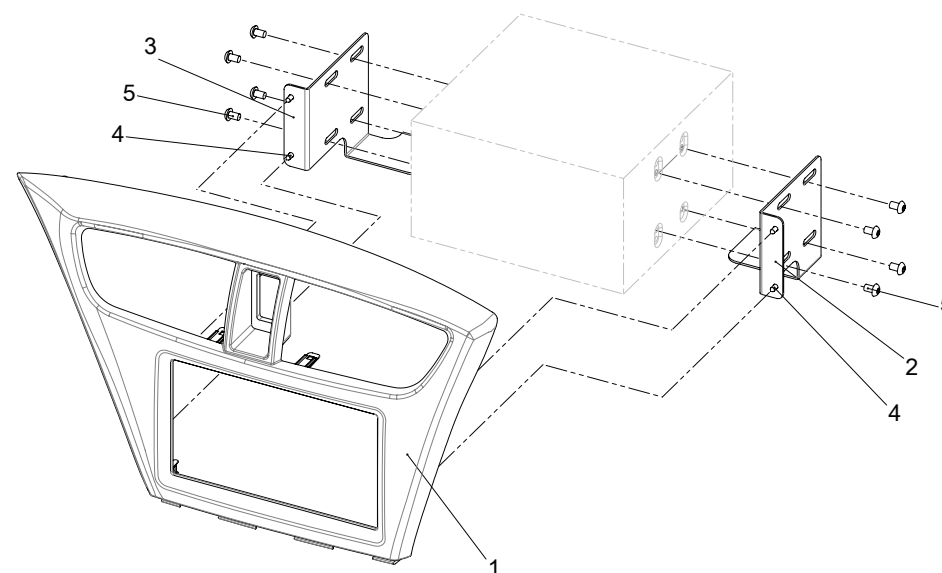
Installation Manual

• Honda Civic 02/2012-> Typ FK1/FK2/FK3

colour / part-no.:
black / 381130-18

Compatible with these double-DIN devices

Double-DIN navigation



- (1) Facia Plate
- (2) Mounting Bracket Right
- (3) Mounting Bracket Left

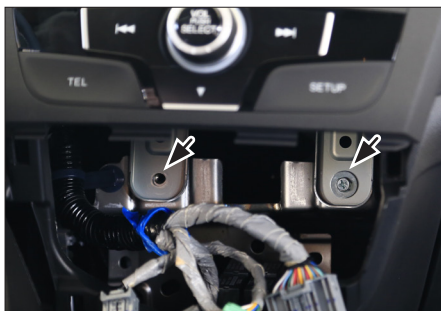
- (4) self-tapping screw with collar
- (5) flat headed screw



1. Unclip side panel



2. Remove air condition control panel (below the radio)



3. Remove both screws (keep screws, they will be needed later)



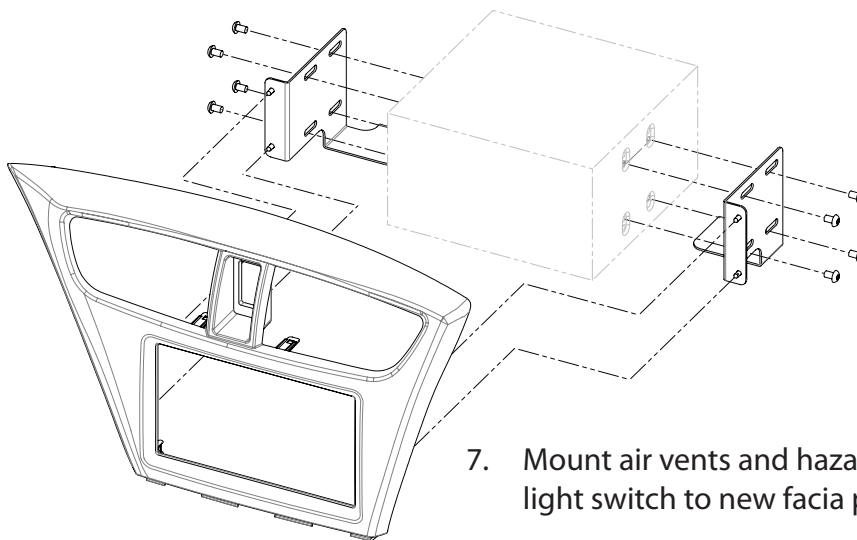
4. Remove OEM head unit by pulling it towards your direction



5. Remove air vents from OEM panel



6. Remove hazard light switch from OEM panel



7. Mount air vents and hazard light switch to new facia plate

Mount facia plate and mounting brackets to double DIN head unit

All installation work must be performed by a qualified professional installer only.
The manufacturer / dealer is not liable for any kind of incidental or indirect damages.

© 07/2014 ALL RIGHTS RESERVED. Technical changes possible. No liability for misprints.