



INSTALLATION INSTRUCTIONS FOR PART 95-9308B

INSTALLATION INSTRUCTIONS FOR PART 95-9308B

APPLICATIONS
BMW X5
2000 - 2006
(non-navigation models)

95-9308B

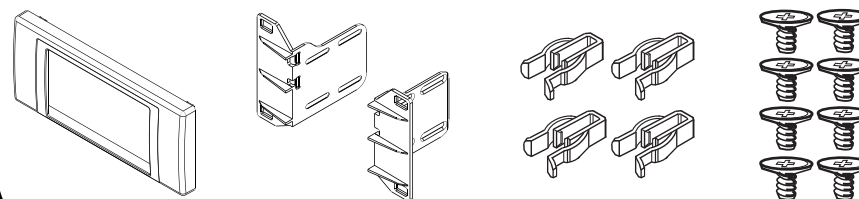
KIT FEATURES

- DDIN Head Unit Provision
- ISO Stacked Head Unit Provision
- Painted Scratch Resistant Matte Black



KIT COMPONENTS

- DDIN Radio Trim Plate
- DDIN Brackets
- (4) Plastic Snaps
- (8) Flush ISO Screws



TOOLS REQUIRED

- Phillips Screwdriver
- Torx Screwdriver
- Panel Removal Tool
- Small Flat Blade Screwdriver
- Cutting Tool or File



METRA. THE WORLD'S BEST KITS.™



1-800-221-0932



metraonline.com

© COPYRIGHT 2004-2009 METRA ELECTRONICS CORPORATION

METRA. THE WORLD'S BEST KITS.™



1-800-221-0932



metraonline.com

© COPYRIGHT 2004-2009 METRA ELECTRONICS CORPORATION

REV. 7/30/2010



95-93088

95-93088

TABLE OF CONTENTS

NOTES

DASH DISASSEMBLY

- BMW X5 2000 - 2006 1,2

KIT ASSEMBLY

- BMW X5 2000 - 2006 3

*NOTE: Refer Also to the instructions included with the aftermarket radio.



KNOWLEDGE IS POWER

Enhance your installation and fabrication skills by enrolling in the most recognized and respected mobile electronics school in our industry. Log onto www.installerinstitute.com or call 800-354-6782 for more information and take steps toward a better tomorrow.

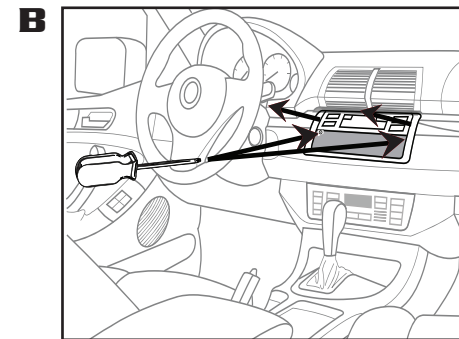
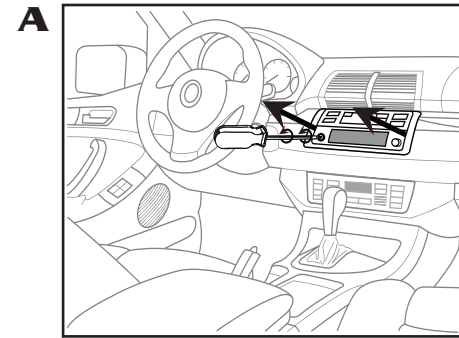


Metra recommends MECP certified technicians

NOTES

BMW X5 2000-2006

- 1** Disconnect the negative battery terminal to prevent an accidental short circuit.
- 2** Remove the volume knob. (Fig. A)
- 3** Using a T-10 torx-head screwdriver, turn the release lever under the shaft 90°. (Fig. A)
- 4** Leaving the screwdriver in position, pull out on the bottom of the factory head unit and remove the unit. (Fig. A)
- 5** Disconnect the wiring.
- 6** Using a T-10 torx-head screwdriver, loosen (2) T-10 torx-head screws located beside the head unit guides and remove the top of the factory head unit. (Fig. B)
- 7** Disconnect the wiring.

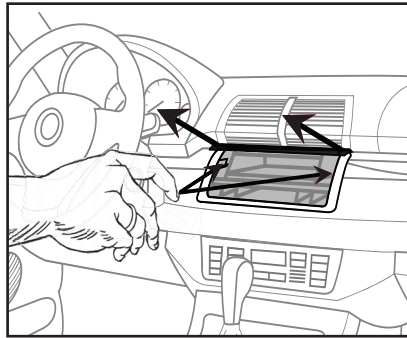


Continued on Pg. 2

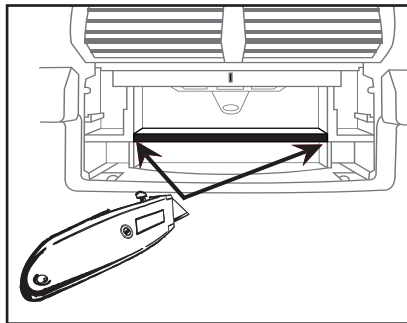
BMW X5 2000-2006

.....Continued from Pg. 1

C



D

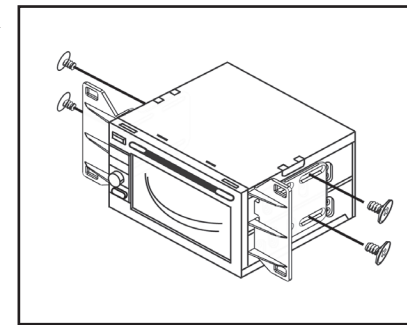


Continue to Kit Assembly

BMW X5 2000-2006

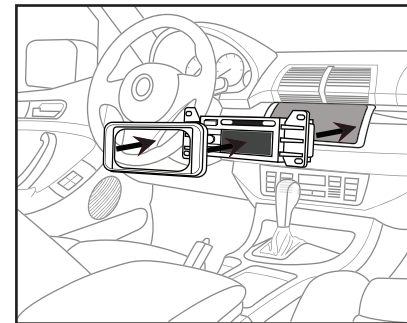
1 Mount the DDIN radio to the supplied DDIN brackets using the ISO screws supplied with the aftermarket radio (screws must be flush). (Fig. A)

A



2 Locate the factory wiring harness in the dash. Metra recommends using the proper mating adapters from Metra and AXCESS to integrate your new radio. Re-connect the negative battery terminal and test the unit for proper operation.

B



3 Snap the radio bracket assembly into the dash opening (tight fit). (Fig. B)

4 Snap the DDIN trim plate over the radio (be sure to align the snaps with the holes in the brackets or it won't seat properly). (Fig. B)