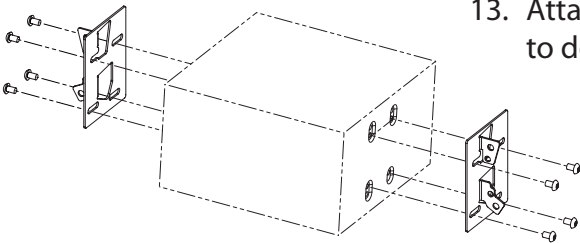




11. Remove 4 screws of OEM head unit



12. Remove OEM head unit



13. Attach mounting brackets to double DIN head unit



14. Connect all required circuit points. Place double DIN head unit on dashboard  
Fix double DIN head unit with 4 screws



15. Mount air vents, OEM-clips and switch panel (with hazard light switch, passenger airbag switch etc.) to new fascia plate  
Place fascia plate until it snaps in.  
Reinstall everything in reverse order to finish installation.



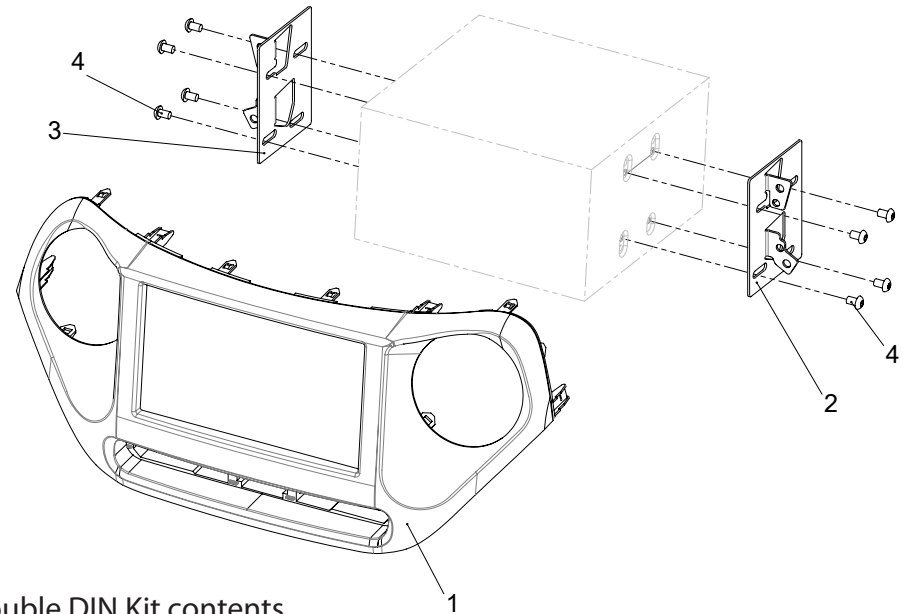
## Installation Manual Double DIN Kit

black: 381143-13-1

### • Hyundai i10 (IA) 11/2013 ->

Compatible with double DIN devices

### Double DIN navigation



Double DIN Kit contents

- (1) Facia Plate
- (2) Mounting Bracket (left)
- (3) Mounting Bracket right
- (4) Flat headed screw

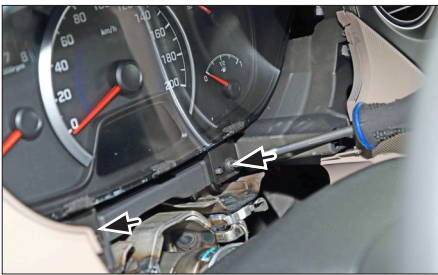
Caution: Hyundai i10 versions with open dash (clock instead of passenger airbag switch) require an additional OEM cover by Hyundai: **93603-B40000PYN**



1. Unclip dashboard panel



2. Remove dashboard panel



3. Remove 2 screws  
under speedometer



4. Remove 2 screws  
over speedometer



5. Unplug cables carefully.  
Remove speedometer unit



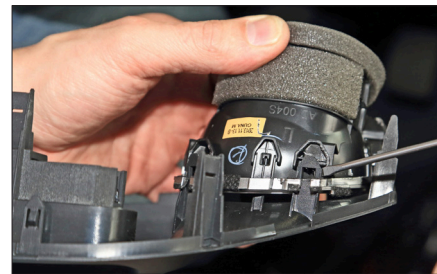
6. Unclip OEM panel



7. Unclip cable carefully  
Remove OEM panel



8. Remove switch unit  
from OEM panel



9. Remove air vents from  
OEM panel



10. Remove clips from OEM  
panel

*All installation work must be performed by a qualified professional installer only.  
The manufacturer / dealer is not liable for any kind of incidental or indirect damages.*