



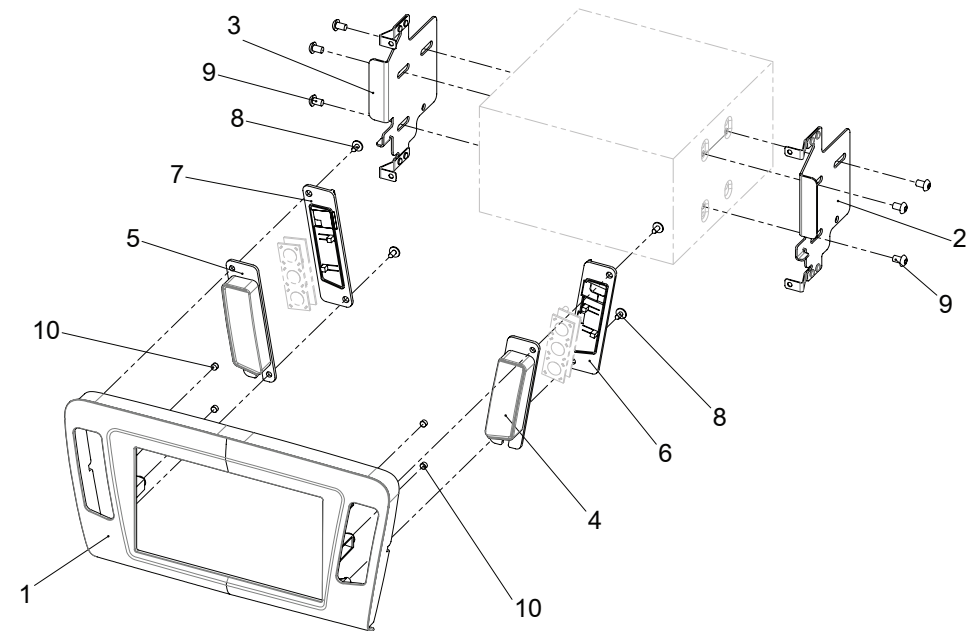
Installation Manual Double DIN Kit

colour: piano black
part-no.: 381320-33-1

Skoda Octavia (5E) 02/2013 -> Sedan
Skoda Octavia (5E) 05/2013 -> Station wagon
Skoda Octavia (5E) 09/2014 -> Scout - Offroad version

Compatible with these Double-DIN devices:

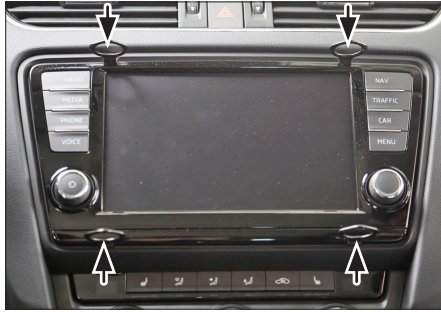
Double-DIN Navigation



Double DIN Set contents

- (1) Facia Plate
- (2) Mounting bracket right
- (3) Mounting bracket left
- (4) Housing right
- (5) Housing left
- (6) Cover right
- (7) Cover left
- (8) Self tapping screw with collar
- (9) Flat headed screw
- (10) Magnet D=5 t=3

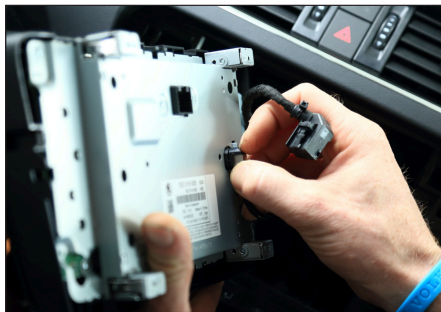
Installation Manual Double DIN Kit



1. Insert radio release keys into appropriate openings of OEM head unit (see arrows)



2. Pull out OEM head unit carefully in order to unplug connectors



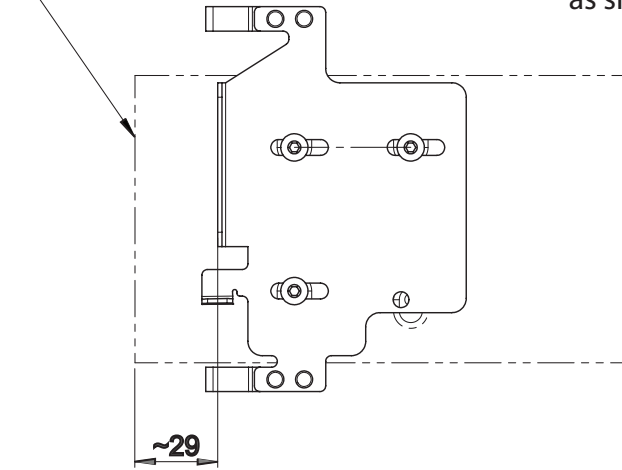
3. Unplug all connectors of OEM head unit
Remove OEM head unit



4. Heat up plastic of heater vent channel with a hot-air gun.
Press plastic of heater vent channel in order to clear space for double DIN head unit (see arrows)

pre-assembly Unit and Brackets (1:2)

Unit front surface



5. Mount brackets to Double-DIN head unit as shown in the drawing



6. Connect all required circuit points.
Place Double-DIN head unit on dashboard



7. Place facia plate

All installation work must be performed by a qualified professional installer only.
The manufacturer / dealer is not liable for any kind of incidental or indirect damages.