

10. Connect all cables  
Place 2-DIN head unit onto dash board

Fix 2-DIN head unit using the original screws

11. Reinstall everything in reverse order to finish installation



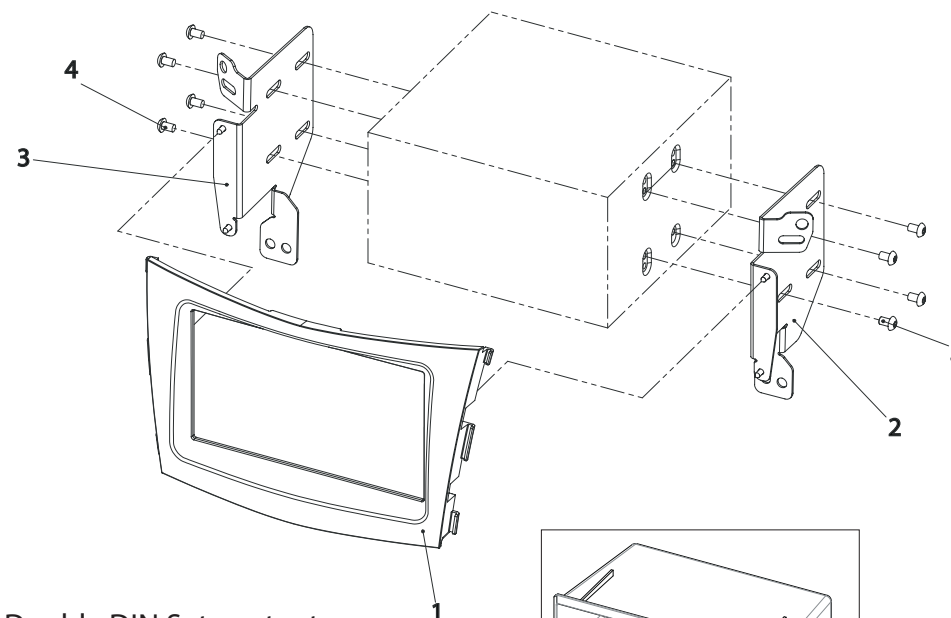
## Installation Manual Double DIN Kit

colour	2-DIN	2-DIN with pocket
anthracite	381275-15-1	281275-15-1
piano-black	381275-15-2	281275-15-2

### • SsangYong Tivoli 06/2015->

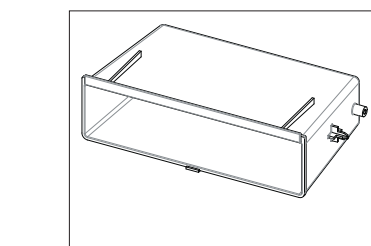
Compatible with these double DIN devices

#### Double DIN Navigation



#### Double DIN Set contents

- (1) Facia Plate
- (2) Mounting Bracket Right
- (3) Mounting Bracket Left
- (4) flat headed screw



pocket (only 281275-15-1 / 281275-15-2)



1. SsangYong OEM dash board



5. Remove hazard light switch



2. Unclip and remove air vent panels



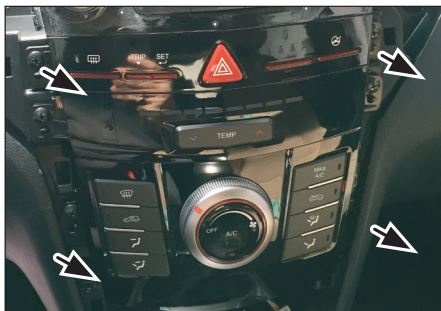
6. Remove screws of OEM head unit



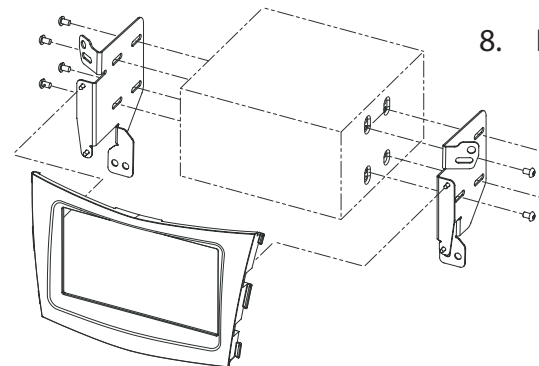
3. Remove air usb panel



7. Unplug all cables carefully  
Remove OEM head unit  
by pulling it into your direction



4. Remove air condition unit



8. Double-DIN radio preparation  
Attach mounting frames  
and fascia plate to  
to double DIN radio