

10. Connect all cables
Place 2-DIN head unit onto dash board

Fix 2-DIN head unit using the original screws

11. Reinstall everything in reverse order to finish installation



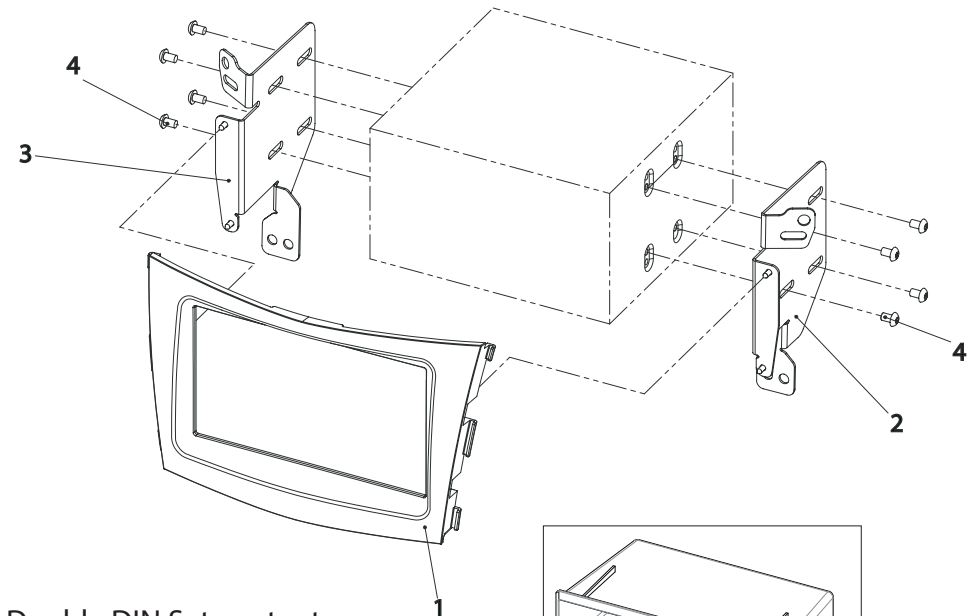
Installation Manual Double DIN Kit

| colour | 2-DIN | 2-DIN with pocket |
|-------------|-------------|-------------------|
| anthracite | 381275-15-1 | 281275-15-1 |
| piano-black | 381275-15-2 | 281275-15-2 |

• SsangYong Tivoli 06/2015->

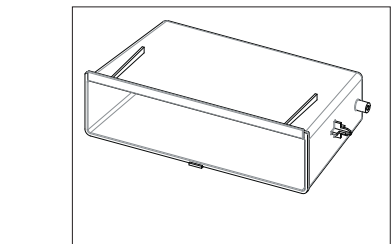
Compatible with these double DIN devices

Double DIN Navigation



Double DIN Set contents

- (1) Facia Plate
- (2) Mounting Bracket Right
- (3) Mounting Bracket Left
- (4) flat headed screw



pocket (only 281275-15-1 / 281275-15-2)



1. SsangYong OEM dash board



5. Remove hazard light switch



2. Unclip and remove air vent panels



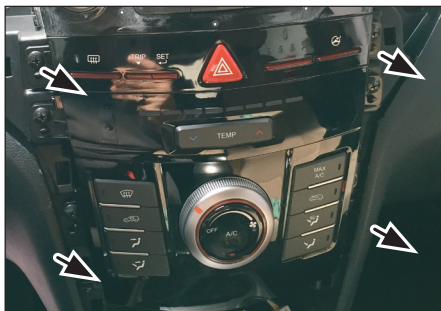
6. Remove screws of OEM head unit



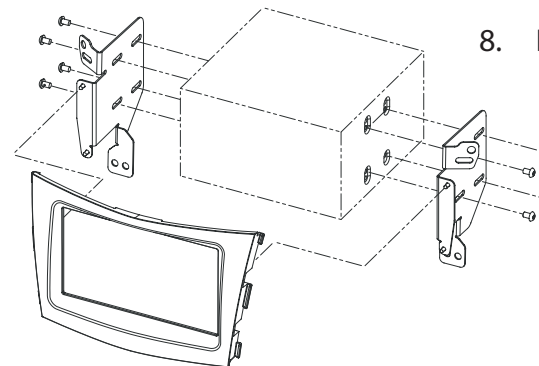
3. Remove air usb panel



7. Unplug all cables carefully
Remove OEM head unit
by pulling it into your direction



4. Remove air condition unit



8. Double-DIN radio preparation
Attach mounting frames
and fascia plate to
to double DIN radio