

8a. 1-DIN Radio install  
(only 281275-15-1 / 281275-15-2)

Attach mounting frames and  
pocket to facia plate and  
1-DIN radio



10. Connect all cables  
Place 2-DIN head unit onto  
dash board

Fix 2-DIN head unit using  
the original screws

11. Reinstall everything in  
reverse order to finish  
installation



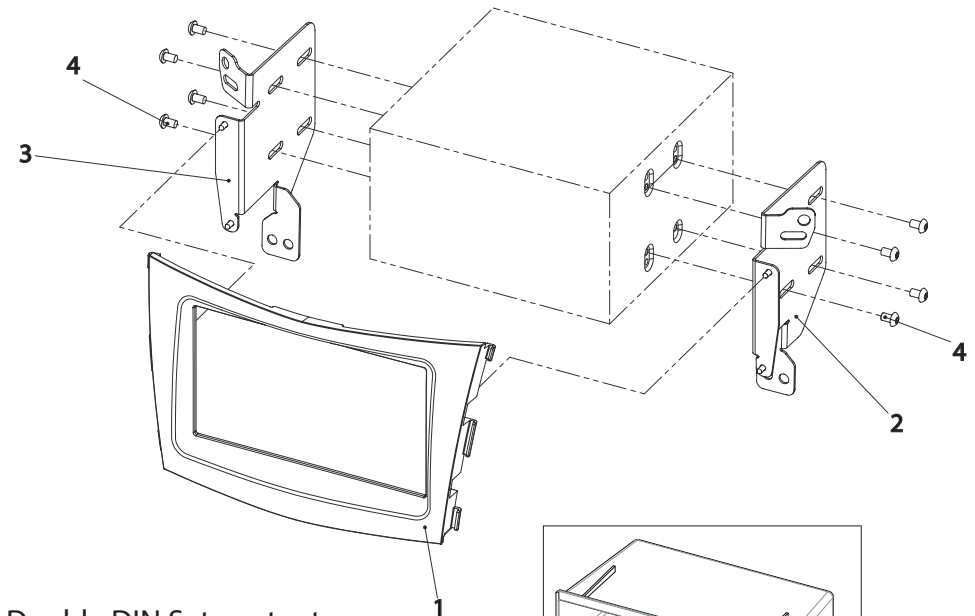
## Installation Manual Double DIN Kit

| colour      | 2-DIN       | 2-DIN with pocket |
|-------------|-------------|-------------------|
| anthracite  | 381275-15-1 | 281275-15-1       |
| piano-black | 381275-15-2 | 281275-15-2       |

### • SsangYong Tivoli 06/2015->

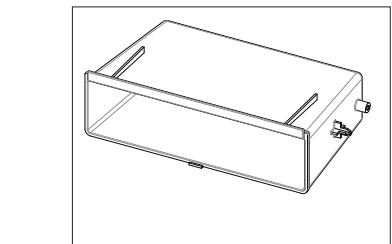
Compatible with these double DIN devices

#### Double DIN Navigation



#### Double DIN Set contents

- (1) Facia Plate
- (2) Mounting Bracket Right
- (3) Mounting Bracket Left
- (4) flat headed screw



pocket (only 281275-15-1 / 281275-15-2)



1. SsangYong OEM dash board



5. Remove hazard light switch



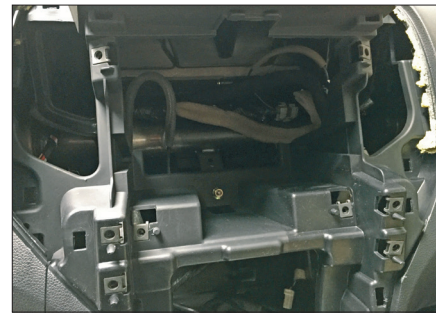
2. Unclip and remove air vent panels



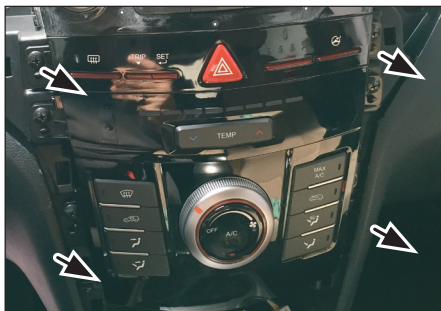
6. Remove screws of OEM head unit



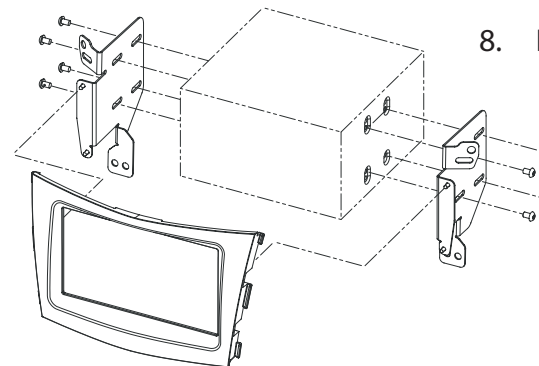
3. Remove air usb panel



7. Unplug all cables carefully  
Remove OEM head unit  
by pulling it into your direction



4. Remove air condition unit



8. Double-DIN radio preparation  
Attach mounting frames  
and facia plate to  
to double DIN radio