

8a. 1-DIN Radio install
(only 281275-15-1 / 281275-15-2)

Attach mounting frames and
pocket to facia plate and
1-DIN radio



10. Connect all cables
Place 2-DIN head unit onto
dash board

Fix 2-DIN head unit using
the original screws

11. Reinstall everything in
reverse order to finish
installation



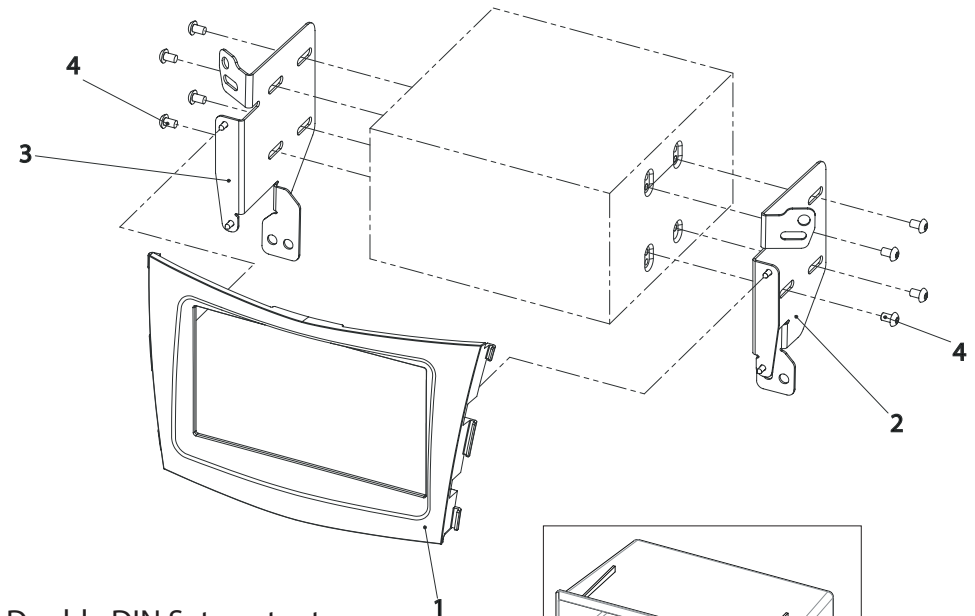
Installation Manual Double DIN Kit

colour	2-DIN	2-DIN with pocket
anthracite	381275-15-1	281275-15-1
piano-black	381275-15-2	281275-15-2

• SsangYong Tivoli 06/2015->

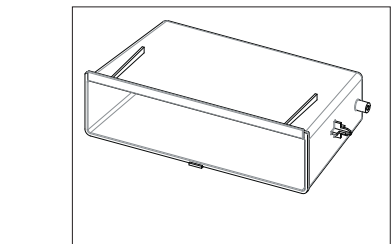
Compatible with these double DIN devices

Double DIN Navigation



Double DIN Set contents

- (1) Facia Plate
- (2) Mounting Bracket Right
- (3) Mounting Bracket Left
- (4) flat headed screw



pocket (only 281275-15-1 / 281275-15-2)



1. SsangYong OEM dash board



5. Remove hazard light switch



2. Unclip and remove air vent panels



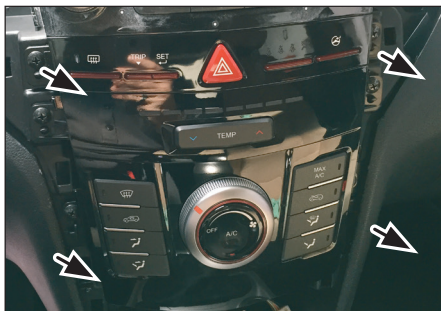
6. Remove screws of OEM head unit



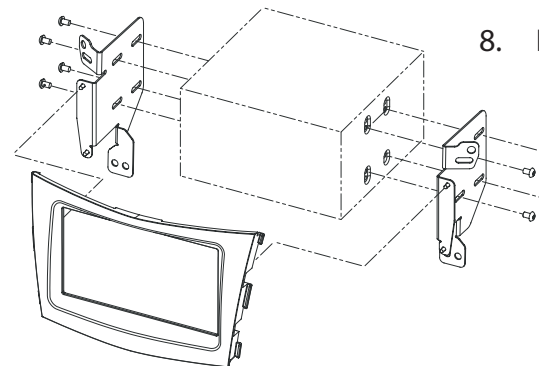
3. Remove air usb panel



7. Unplug all cables carefully
Remove OEM head unit
by pulling it into your direction



4. Remove air condition unit



8. Double-DIN radio preparation
Attach mounting frames
and fascia plate to
to double DIN radio