



5. Connect all required circuit points and place double DIN head unit on dashboard. Fix head unit with original screws



6. Clip new fascia plate into OEM panel



7. Place panel back on dash board to finish installation



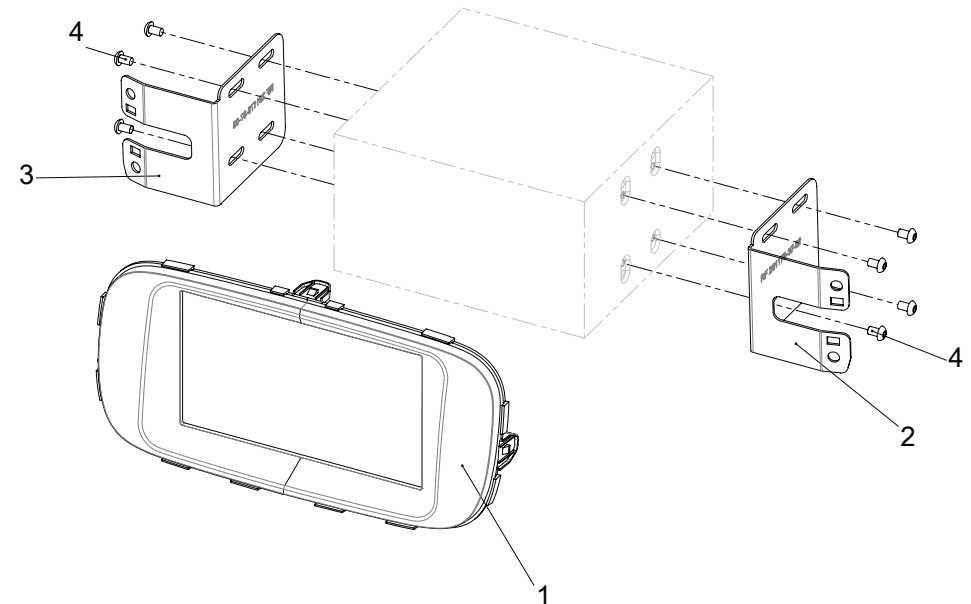
Installation Manual Double DIN Kit

black: 381178-37-1

Kia Soul 2014->

Compatible with these double DIN devices

Double-DIN Navigation

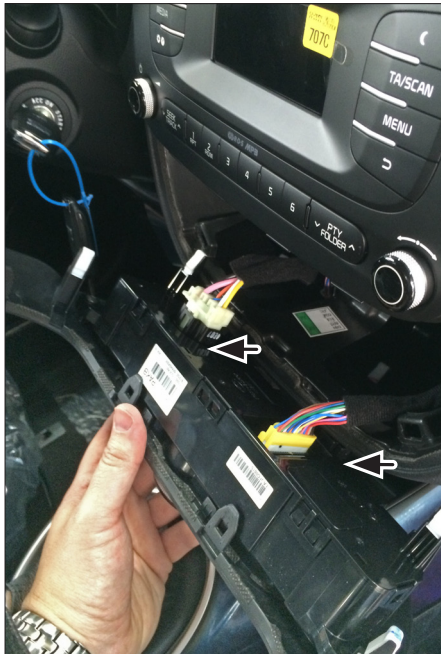


(1) Double DIN Facia Plate
(2) Mounting bracket (right)

(3) Mounting bracket (left)
(4) Flat Headed Screw



1. Unclip panel



2. Remove panel and unplug all cables carefully



3. Remove all screws of OEM head unit

Unplug all connections and remove OEM head unit

4. Mount mounting brackets to Double-DIN head unit

