

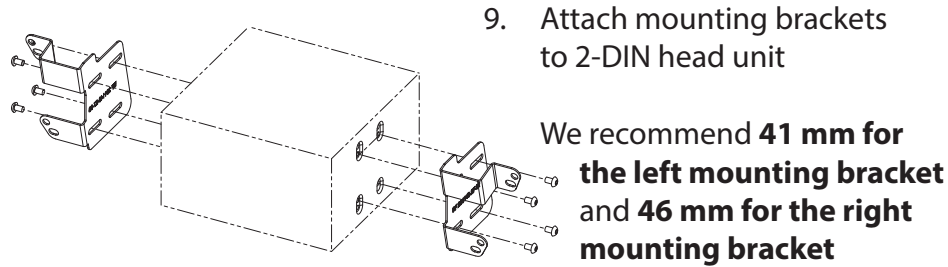


Installation Manual Double DIN Kit

2-DIN

black 381143-27-1

2-DIN with pocket black 281143-27-1

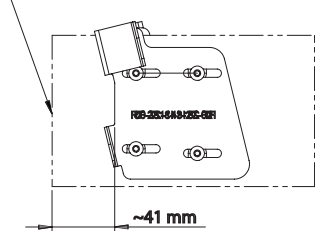


9. Attach mounting brackets to 2-DIN head unit

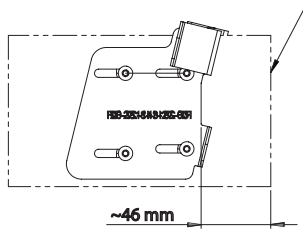
We recommend **41 mm for the left mounting bracket** and **46 mm for the right mounting bracket**

pre-assembly Brackets

Unit front surface



Unit front surface



10. Connect all required circuit points

Fix 2-DIN head unit on dash board

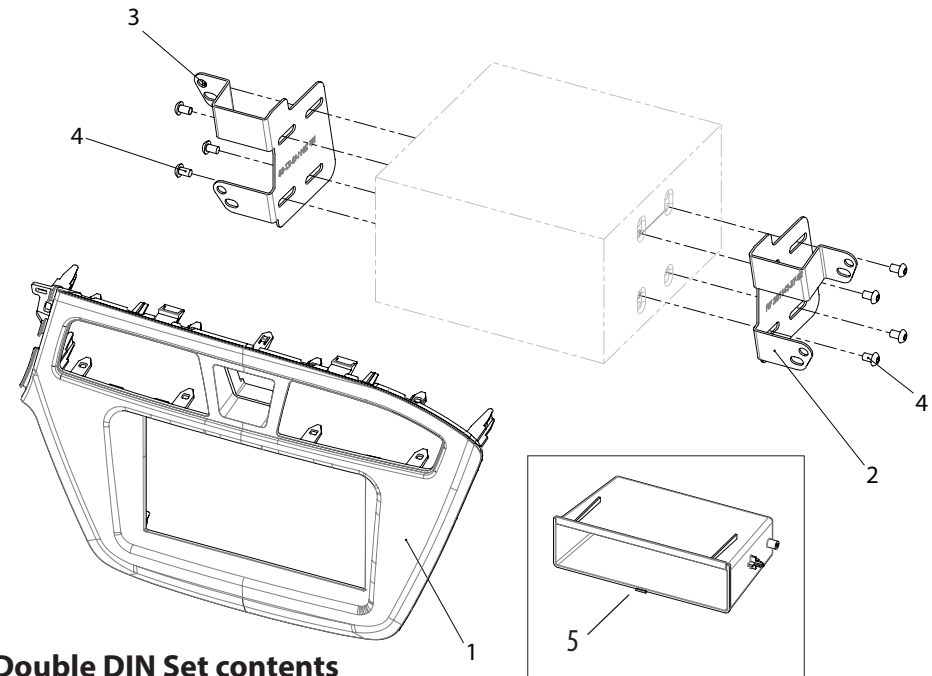
Mount hazard light switch and air vents to 2-DIN facia plate

Place facia plate on dash board until it snaps in. Reinstall everything in reverse Order to finish installation

• Hyundai i20 2015->

Compatible with these Double-DIN devices:

Double-DIN Navigation



Double DIN Set contents

- (1) facia plate
- (2) mounting bracket (right)
- (3) mounting bracket (left)
- (4) flat headed screw

- (5) pocket - 281143-27-1 only!

Installation Manual Double DIN Kit



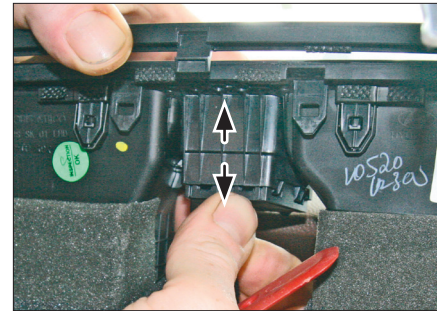
1. Hyundai i20 OEM dashboard (sample photo)



5. Remove OEM center panel (unplug cables carefully)



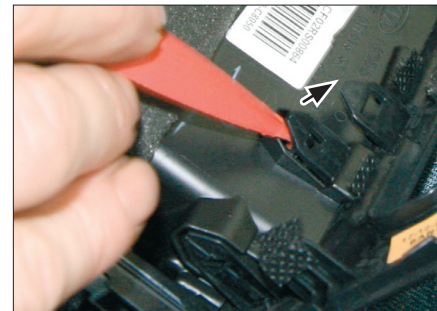
2. Unclip speedometer panel



6. Remove hazard light switch



3. Remove speedometer panel



7. Unclip and remove air vents



4. Unclip OEM center panel



8. Remove OEM head unit (unplug all cables carefully)

All installation work must be performed by a qualified professional installer only.
The manufacturer / dealer is not liable for any kind of incidental or indirect damages.