

Lightning adapter for Gateway (LIA1GW0)

Quick Install Guide

LIA-9220-3

1. Instructions manual

The Lightning adapter for Gateway (LIA) is an optional accessory for Gateway Lite, Gateway Lite BT, iGateway, Gateway 300 and Gateway 500 devices. The device enables you to connect Apple devices bearing a Lightning adapter to your existing Gateway. The LIA connects to the iPod Dock connector on the Gateway and has a USB connector to connect your iPhone/iPod (iPhone 5, 5s, 5c, iPod nano 7th, touch – 5th) using a USB to Lightning cable (IPLC1GW) an iPhone 5 cradle (IP5LCRU; IP5LCRP) or with an iPhone 6 cradle (IP6LCRP).

2. Gateway Compatibility:

The usage of the Lightning Adapter is necessary in case of the lightning based Apple devices to be compatible with the following products:

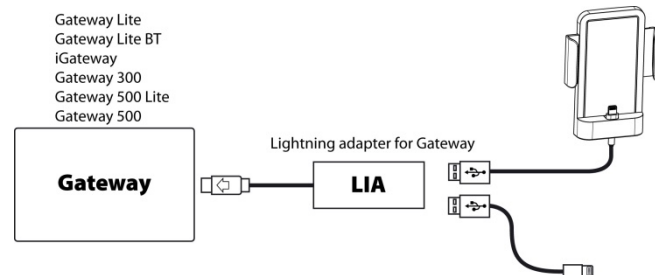
Gateway Lite	Gateway Lite BT
iGateway	Gateway 300
Gateway 500 Lite	Gateway 500

The usage of the Lightning Adapter is optional if you want to keep the USB connector for a flash drive and use the lightning based Apple device through the 9-pin iPod dock connector in case of the following products:

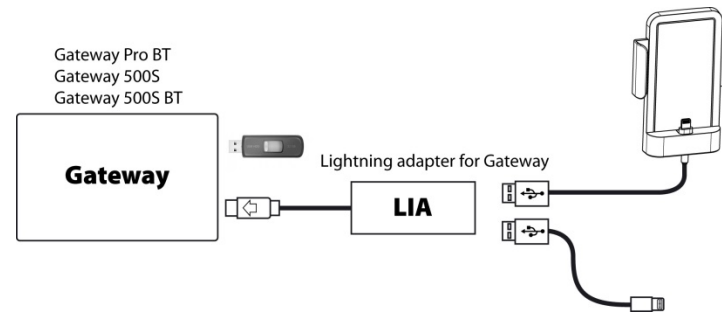
Gateway Pro BT
Gateway 500S
Gateway 500S BT

3. Installation:

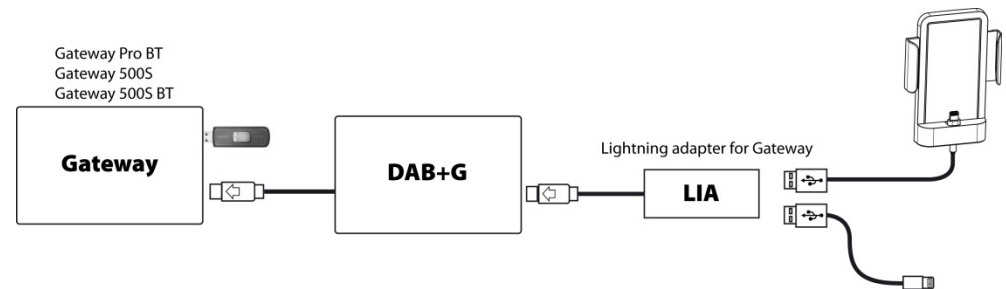
To install the adapter connect it to the 9-pin dock cable connector on the Gateway and connect a Lightning to USB cable or the iPhone 5/6 cradle to the USB port of the LIA adapter.



Installation and usage of the LIA to retain the USB flash drive capability. (without DAB+G)



Installation and usage of the LIA to retain the USB flash drive capability. (with DAB+G)



4. Update instructions:

In order to keep the LIA adapter compatible with the upcoming Apple products, please always update the firmware to the latest version (if available).

5. Disclaimer and Warranty

If your car's electrical system begins to behave erratically, please disconnect the LIA interface physically immediately and have it checked by your installer or a qualified car electronics technician. Dension and its authorized distributors and retailers are not liable for any incidental consequential or indirect damages or loss and do not assume liability for any diagnostic fees.

Dension reserves the right to modify its products or specifications without prior notice.

Dension devices carry a one-year limited warranty that protects you from defects in material and workmanship of products sold by Dension or its authorized distributors and retailers. Dension does not warrant any installation work or assume liability for any damage caused due to negligence, improper installation or operation. For warranty claims, proof of purchase is required

If you need further assistance on using your Dension product, please contact your local supplier or visit us at www.dension.com. You can ask for the help of our trained technicians by clicking 'Support'.

Magyar nyelvű útmutatóért kérjük látogasson el weboldalunkra.

Für die deutsche Anleitung bitte unsere Webpage zu besuchen.