

DMX9720XDS

MONITOR WITH RECEIVER

Quick Start Guide

MONITEUR AVEC RÉCEPTEUR

Guide de démarrage rapide

MONITOR MIT RECEIVER

Schnellstartanleitung

MONITOR MET ONTVANGER

Snelstartgids

MONITOR CON RICEVITORE

Guida rapida all'avvio

MONITOR CON RECEPTOR

Guía de inicio rápido

MONITOR COM RECTOR

Guía de Inicio Rápido

МОНИТОР С РЕСИВЕРОМ

Краткое руководство по началу работы

JVCKENWOOD Corporation

- Updated information (the latest Instruction Manual, system updates, new functions, etc.) is available from
- Des informations actualisées (le dernier mode d'emploi, les mises à jour du système, les nouvelles fonctions, etc.) sont disponibles sur le site
- Aktualisierte Informationen (die aktuelle Bedienungsanleitung, Systemupdates, neue Funktionen usw.) finden Sie unter
- Bijgewerkte informatie (de meest recente instructiehandleiding, systeemupdates, nieuwe functies, enz.) is beschikbaar op
- Informazioni aggiornate (il Manuale di istruzioni più recente, aggiornamenti di sistema, nuove funzioni, ecc.) sono disponibili da
- La información actualizada (el Manual de instrucciones más actualizado, actualizaciones del sistema, nuevas funciones, etc.) está disponible desde
- Estão disponíveis informações atualizadas (o Manual de Instruções mais recente, atualizações de sistema, novas funções, etc.) em
- Обновленная информация (последняя инструкция по эксплуатации, системные обновления, новые функции и др.) доступна по адресу [<https://www.kenwood.com/cs/ce/>](https://www.kenwood.com/cs/ce/)

Made for

 iPhone | iPod



Works with

Apple CarPlay

android
auto

HDMI™
HIGH-DEFINITION MULTIMEDIA INTERFACE

Hi-Res
AUDIO

Hi-Res
AUDIO
WIRELESS

Hi-Res Audio logo and Hi-Res Audio Wireless logo are used under license from Japan Audio Society.



LDAC

 Bluetooth®

WiFi®
CERTIFIED

Important Notice on Software

Software License on This Product

The software embedded in this product comprises a number of independent software components, each of which is copyrighted by JVCKENWOOD Corporation or by a third party. This product uses software components that are based on an End-User License Agreement (hereinafter called "EULA") stipulated by JVCKENWOOD Corporation and by third parties. The EULA dictates the availability of the source codes of free-software components as a prerequisite to distributing them in executable form under the terms of the GNU General Public License or the Lesser General Public License (hereinafter called "GPL/LGPL"). To get information about the software components that are subject to the terms of the GPL/LGPL, please visit the following Website:

Website URL <https://www2.jvckenwood.com/gpl/>

Queries concerning the contents of the source code or the like will not be accepted.

Please note that software components based on a EULA that is not subject to the terms of the GPL/LGPL or those that have been developed or created by JVCKENWOOD Corporation will be excluded from the scope of source code disclosure.

Because licenses to use software components distributed under the GPL/LGPL are offered to the customers for free of charge, no warranty is granted to the customers, whether explicitly or implicitly, to the extent of the applicable laws. Unless otherwise stipulated by the applicable laws or agreed upon in writing, the copyright holders or those who are entitled to modify and redistribute the software components are not held responsible for any and all damages resulting from their use or from inability to use them. For more information about the terms of use of the software components, required items of compliance and so on, please refer to the GPL/LGPL.

Customers wishing themselves to use a software component that is subject to the GPL/LGPL embedded in this product are encouraged to read the terms of the corresponding license before use. Because each individual license is prescribed by a third party other than JVCKENWOOD Corporation, the original (English) of the license is presented.

EULA

Software License Agreement

JVCKENWOOD Corporation (hereinafter called "Licensor") holds either the copyright to the embedded software or the right to sublicense it. This agreement establishes the conditions under which the customer uses this "Licensed Software."

The customer shall agree to the terms of this license agreement before proceeding to use Licensed Software.

This agreement is deemed to have taken effect when the customer (hereinafter called "User") has used a product implementation of Licensed Software.

The Licensed Software may contain software Licensor has been licensed to use by third parties directly or indirectly. Some third parties may have terms of use prescribed for their customers, apart from this Software License Agreement. This agreement does not apply to such software. Be sure to consult "Important Notice on Software" as presented separately.

Article 1 (General)

Licensor grants to User a non-exclusive, non-assignable right of use Licensed Software within the country where the User purchases the Product (hereinafter the "Country") (except for the exception provided for in Paragraph 1, Article 3).

Article 2 (Right of Use)

1. The rise of use granted under this agreement is the right to use Licensed Software in this product.
2. User may not duplicate, copy, modify, add to, translate or otherwise alter, or loan licensed Software and the associated literature in whole or in part.
3. Use of Licensed Software is limited to a private extent, and Licensed Software may not be distributed, licensed or sublicensed for any purposes whatsoever, including commercial use.
4. User shall use Licensed Software as per the instruction manual or instructions given in the help file and may not use or duplicate data in violations of the regulations of the Copyright Law or other governing laws by using Licensed Software in whole or in part.

Article 3 (Terms of License)

1. In assigning this product, User may not retain the original copy of the embedded Licensed Software (including associated literature, updates and upgrades) and any duplicates and associated literature with regard to the license to use Licensed Software. User may transfer Licensed Software only to the condition of binding the assignee to abide by the terms of this Software License Agreement.
2. User may not reverse-engineer, disassemble, decompile or otherwise analyze the source code of Licensed Software.

Article 4 (Rights to Licensed Software)

All rights to Licensed Software and the associated literature, including copyrights, shall reside with Licensor or the original right holder who has granted the Right of Use and right to sublicense to Licensor (hereinafter referred to as "Original Right Holder"), and User does not have any rights other than Right of Use granted hereunder with regard to Licensed Software and the associated literature.

Article 5 (Exemption Granted to Licensor)

1. Licensor and Original Right Holder do not assume any responsibility for damages caused to User or third parties resulting from the exercise by User of the license granted hereunder, unless otherwise provided by any law to the contrary.
2. Licensor does not warrant Licensed Software to be merchantable, compatible and fit for specific purposes.

Article 6 (Responsibility for Third Parties)

If disputes over the infringement of third parties' intellectual property rights, such as copyrights and patent rights, arise out of the use of Licensed Software by User, User shall resolve these disputes at User's own expenses while keep Licensor and Original Right Holder harmless.

Article 7 (Secrecy Obligation)

User shall keep confidential Licensed Software provided hereunder, information contained in the associated literature or the like and those provisions of this agreement not yet in public knowledge and may not disclose or leak these to third parties without prior written consent from Licensor.

Article 8 (Cancellation of the Agreement)

Licensor reserves the right to cancel this agreement forthwith and claim compensation from User for the damages caused by such cancellation when User:

- (1) Breaches any of the provisions of this agreement, or
- (2) Has received a petition for seizure, provisional seizure, provisional disposition or any other kind of compulsory execution.

Article 9 (Destruction of Licensed Software)

If this agreement is terminated under the provision of the foregoing paragraph, User shall destroy Licensed Software, along with all associated literature and its duplicates, within two (2) weeks from the date of termination.

Article 10 (Copyright Protection)

1. Copyrights and all other intellectual property rights relating to Licensed Software shall reside with Licensor and Original Right Holder and in no circumstances with User.
2. User shall abide by the laws relating to copyrights and intellectual property rights in using Licensed Software.

Article 11 (Export Control)

1. Licensed Software and the associated literature or the like may not be exported to places outside the Country (including transmission outside the Country over the Internet or the like).
2. User agrees that Licensed Software is subject to export controls imposed by the Country and the United States of America.
3. User agrees to comply with all the international and domestic laws that apply to this software (U.S. Export Administration Regulations and regulations established by the U.S., the Country and their governmental agencies regarding usage by end users and export destinations).

Article 12 (Miscellaneous)

1. Even if this agreement is invalidated in part by law, all other provisions shall remain in effect.
2. Licensor and User shall consult each other in good faith to resolve any matters not provided for in this agreement or questions arising from the interpretation of this agreement.
3. Licensor and User agree that this agreement is governed by the law of Japan and that all disputes involving claims and obligations that may arise out of this agreement will be settled by arbitration at the Tokyo District Court as the court of first instance.

Contents

Before Use	4
About the Quick start guide	4
Precautions	4
How to read this manual.....	5
Touch screen operations.....	5
Note for specifications.....	5
Basic Operations	6
Functions of the Buttons on the Front Panel.....	6
Turning on the Unit.....	6
Calendar/clock settings.....	6
HOME screen	7
Popup menu.....	7
Radio	8
Digital Radio	8
USB/iPod/iPhone	9
Bluetooth Control	10
Register the Bluetooth device.....	10
Using the Hands-Free Unit	11
Connection/Installation	12
Before Installation	12
Installing the unit.....	14

Before Use

About the Quick start guide

- This Quick Start Guide describes basic functions of this unit. For functions not described in this Guide, refer to the Instruction Manual on the following website:
<https://manual.kenwood.com/edition/im406/>



- The Instruction manual is subject to change for modification of specifications and so forth. Be sure to download the latest edition of the Instruction manual for reference.

Precautions

▲ WARNINGS

■ To prevent injury or fire, take the following precautions:

- To prevent a short circuit, never put or leave any metallic objects (such as coins or metallic tools) inside the unit.
- Do not watch or fix your eyes on the unit's display when you are driving for any extended period.
- If you experience problems during installation, consult your KENWOOD dealer.

■ Precautions on using this unit

- When you purchase optional accessories, check with your KENWOOD dealer to make sure that they work with your model and in your area.
- You can select a language to display menus, audio file tags, etc. See **System Setup (P.56)** in the Instruction Manual.
- The Radio Data System feature won't work in areas where the service is not supported by any broadcasting station.

■ Protecting the monitor

- To protect the monitor from damage, do not operate the monitor using a ball point pen or similar tool with a sharp tip.

■ Cleaning the unit

- If the faceplate of this unit is stained, wipe it with a dry soft cloth such as a silicon cloth. If the faceplate is stained badly, wipe it with a cloth moistened with neutral cleaner, then wipe it again with a clean soft dry cloth.

NOTE

- Applying spray cleaner directly to the unit may damage its mechanical parts. Wiping the faceplate with a hard cloth or using a volatile liquid such as thinner or alcohol may scratch the surface or erase the screened print.

■ Acquiring GPS signal

The first time you turn on this unit, you must wait while the system acquires satellite signals for the first time. This process could take up to several minutes. Make sure your vehicle is outdoors in an open area away from tall buildings and trees for fastest acquisition.

After the system acquires satellites for the first time, it will acquire satellites quickly each time thereafter.

■ About GLONASS

This unit uses Global Navigation Satellite System (GLONASS) in addition to GPS.

Combining GPS and GLONASS can refine positioning accuracy than using GPS only.

■ Caution for Smartphone Users

Simultaneously running multiple applications on your smartphone while screen sharing places heavy demand on the microprocessor of the phone, potentially affecting communication and performance.

For best results while pairing with your KENWOOD receiver, please be sure to close any unused applications.

How to read this manual

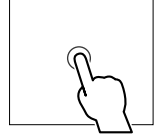
- The screens and panels shown in this manual are examples used to provide a clear explanation of operations. For this reason, they may be different from the actual screens or panels, or some display patterns may be different from the actual ones.
- **Display language:** English is used for the purpose of explanation. You can select a display language from the **SETUP** menu. See **System Setup (P.56)** in the Instruction Manual.

Touch screen operations

To perform operations on the screen, you need to touch, touch and hold, flick or swipe to select an item, display a setting menu screen or change pages.

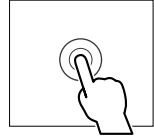
● Touch

Touch the screen gently to select an item on the screen.



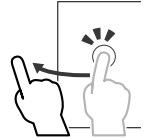
● Touch and hold

Touch the screen and keep your finger in place until the display changes or a message is displayed.



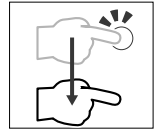
● Flick

Slide your finger quickly to the left or right on the screen to change the page. You can scroll a list screen by flicking up/down on the screen.



● Swipe

Slide your finger up or down on the screen to scroll the screen.



Note for specifications

■ Bluetooth section

Frequency

: 2.402 – 2.480 GHz

RF Output Power (E.I.R.P.)

: +4 dBm (MAX), Power Class2

■ General

Operating Voltage

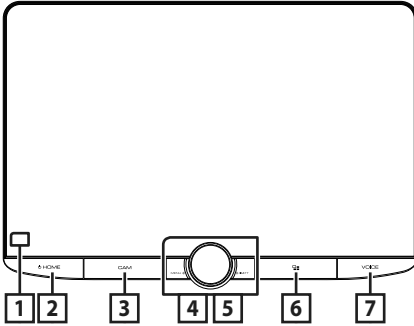
: 12 V DC car battery

Speaker Impedance

: 4 – 8 Ω

Basic Operations

Functions of the Buttons on the Front Panel



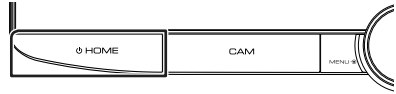
NOTE

• The panels shown in this manual are examples used to provide a clear explanation of operations. For this reason, they may be different from the actual panels.

Name	Motion
1 Remote Sensor	• Receives the remote control signal.
2 HOME/⏻	• Displays the HOME screen (P.7). • Pressing for 1 second turns the power off. • When the power is off, turns the power on.
3 CAM	• Switches view camera display on/off.
4 MENU/ATT	• Displays the popup menu screen. • Pressing for 1 second switches attenuation of the volume on/off.
5 Volume knob	• Adjusts the volume.
6	• Displays the APP (Apple CarPlay/Android Auto/Wireless Mirroring) screen. • While the APP screen is displayed, switches to the control screen of current source.
7 VOICE	• Switches the voice recognition function on/off. • When neither Apple CarPlay, Android Auto, nor a Bluetooth Hands-Free phone is connected, pressing and holding displays Bluetooth pairing waiting dialog.

Turning on the Unit

- 1 Press the **HOME/⏻** button.



➤ The unit is turned on.

● **To turn off the unit:**

- 1 Press the **HOME/⏻** button for 1 second.

Calendar/clock settings

- 1 Press the **HOME/⏻** button.
- 2 Touch
- 3 Touch **SETUP**.
➤ SETUP Menu screen appears.
- 4 Touch **System**.
➤ System setting menu appears.
- 5 Set each item as follows.
Scroll the page to show hidden items.



■ **Time Format**

Select the time display format.

12-Hour / 24-Hour (Default)

■ **Clock**

GPS-SYNC (Default): Synchronizes the clock time with the GPS.

Manual: Set the clock manually.

■ **Time Zone**

Select the time zone.

■ **Clock Adjust**

If you select **Manual** for Clock, adjust the date and time manually. (P.7)

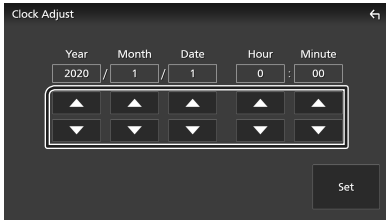
NOTE

• Please set the date and time. If they are not set, some functions may not work.

● **Adjust the date and time manually**

1 Touch **Clock Adjust** in the System setting menu.

2 Adjust the date, then adjust the time.



3 Touch **Set**.

HOME screen

Most functions can be performed from the HOME screen.

1 Press the **HOME / ⏻** button.



- 1** • Widget
- 2** • Displays the source selection screen.
- 3** • Displays the SETUP Menu screen.
- 4** • Short-cut playback source icons

Source selection screen description

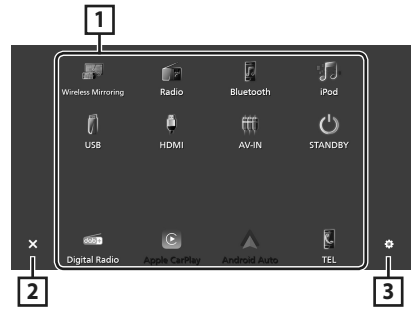
You can display icons of all playback sources and options on the source selection screen.

1 Press the **HOME / ⏻** button.

▶ HOME screen appears.

2 Touch .

From the screen, you can select the following sources and functions.



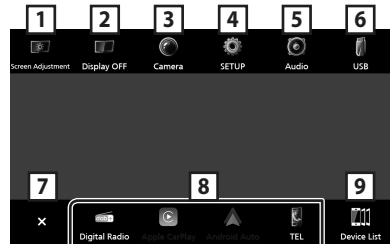
- 1** • Changes playback sources.
- 2** • Returns to the previous screen.
- 3** • Displays the SETUP Menu screen.

Popup menu

1 Press the **MENU / ATT** button.

▶ Popup menu appears.

2 Touch to display the popup menu.



The contents of the menu are as follows.

- 1** • Displays the Screen Adjustment screen.
- 2** • Turns the display off.
- 3** • Displays the view camera screen.
- 4** • Displays the SETUP Menu screen.
- 5** • Displays the Audio screen.
- 6** • Displays the control screen of current source. Icon feature differs depending on the source. This icon is for USB source.
- 7** • Close the popup menu.
- 8** • Short-cut source icons:
- 9** • Displays the Android Auto device list. This icon appears only when Android Auto is connected and two or more devices can be used as Android Auto source.

Radio

To listen to the Radio source, touch **Radio** icon on the source selection screen. (P.7)



1 Operation keys

- **◀▶▶▶** : Tunes in a station. The method of switching frequencies can be changed (see **4** Seek mode).

2 Function panel

Touch the right side of the screen to display the function panel. Touch again to close the panel.

- **TI** (FM only) : Selects the traffic information mode.
- **SETUP** (FM only) : Displays the Radio SETUP screen.
- **AME** : Presets stations automatically.
- **PTY** (FM only) : Searches for a program by program type.
- **MONO** (FM only) : Selects the Monaural reception mode.
- **LO.S** (FM only) : Turns the Local Seek function on or off.

3 Band keys

Switches bands (between FM and AM).

4 Seek mode

Touch to switch seek mode in the following sequence: **AUTO1**, **AUTO2**, **MANUAL**.

- **AUTO1** : Tunes in a station with good reception automatically.
- **AUTO2** : Tunes in the memorized stations one after another.
- **MANUAL** : Switches to the next frequency manually.

5 Information display

- Displays the information on the current station:
Frequency
Preset#: Preset number

6 Preset list

- Touching **◀/▶** allows you to change the display size.
- Recalls the memorized station.
- When touched for 2 seconds, stores the currently being received station in the memory.

Auto memory

You can store stations with good reception in the memory automatically.

1 Touch desired band key (FM / AM).

2 Touch **▶** on the left side of the screen. Touch **AME**.

3 Touch **Yes**. ▶ Auto memory starts.

Digital Radio

To listen to Digital Radio source, touch **Digital Radio** icon on the source selection screen. (P.7)



1 Operation keys

- **🔍** : Displays the Service List screen.
- **◀▶▶▶** : Tunes in a ensemble, service, and component. The seek mode switching can be changed. (see **3** Seek mode).

2 Function panel

Touch the right side of the screen to display the function panel. Touch again to close the panel.

- **TI** : Selects the traffic information mode.
- **SETUP** : Displays the Digital Radio SETUP screen.
- **PTY** : Searches for a program by program type.
- **DLS** : Display the Dynamic Label Segment screen.

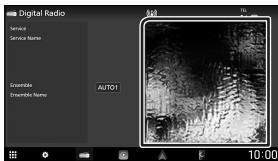
3 Seek mode

Touch to switch seek modes in the following sequence: **AUTO1**, **AUTO2**, **MANUAL**.

- **AUTO1**: Tunes in an ensemble with good reception automatically.
- **AUTO2**: Tunes in the memorized ensemble one after another.
- **MANUAL**: Switches to the next ensemble manually.

4 Information display

- Displays the information on the current station: Service Name
- Touch to switch between the Control and Information screen.



5 Preset list

- Touching / allows you to change the display size.
- Recalls the memorized service.
- When touched for 2 seconds, stores the currently being received service in the memory.

USB/iPod/iPhone

Connecting a USB device/iPod/iPhone

- 1 Connect the USB device with the USB cable. (P.21)
Connect the iPod/iPhone using the KCA-iP103. (P.22)
- 2 Press the **HOME** / button.
- 3 Touch .
- 4 Touch **USB** or **iPod**. (P.7)

Disconnect the USB device/iPod/iPhone

- 1 Press the **HOME** / button.
- 2 Touch a source other than **USB**.
- 3 Detach the USB device/iPod/iPhone.

Basic Operation



1 Operation keys

- : Searches track/file.
- : Searches the previous/next track/file.
- : Plays or pauses.

2 Content list

- Touch the left side of the screen to display the Content list. Touch again to close the list.
- Displays the playing list. When you touch a track/file name on the list, playback will start.

3 Track information

- Displays the information on the current file.

4 Function panel (USB only)

Touch the right side of the screen to display the function panel. Touch again to close the panel.

- : Searches for the previous/next folder.

Video screen (USB only)



5 File search area (Video file only)

Touch to search for the next/previous file.

6 Key display area (Video file only)

Touch to display the control screen.

Bluetooth Control

Search Operation

You can search music or video files by the following operations.

1 Touch **Q**.

2 Touch **▼**.

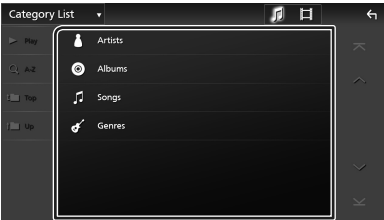


3 Select a list type.



4 Select whether you search audio files or video files . (USB only)

5 Touch the desired category.



➤ The list corresponding to your selection appears.

6 Touch to select the desired item in the list. Repeat this step until you find the desired file.

Bluetooth Control

Using the Bluetooth function allows you to use various functions such as listening to the audio file and making/receiving a call.

Register the Bluetooth device

It is necessary to register the Bluetooth audio player or smartphone/cell-phone in this unit before using the Bluetooth function.

You can register up to 10 Bluetooth devices.

NOTE

- Up to 10 Bluetooth devices can be registered. If an attempt is made to register the 11th Bluetooth device, the Bluetooth device connected on the earliest date will be deleted to register the 11th one.

1 Press the **HOME**/**⏻** button.

2 Touch .

3 Touch **SETUP**.

➤ **SETUP** Menu screen appears.

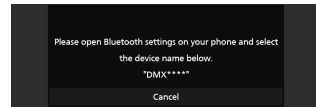
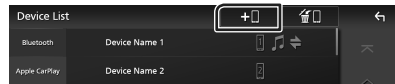
4 Touch **Connections & AV**.

5 Touch **Device List**.

6 Select a device type.

7 Touch .

➤ Bluetooth pairing waiting dialog appears.

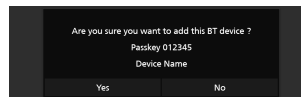


8 Search for the unit ("DMX9720XDS") from your smartphone/cell-phone.

Complete steps 8 to 10 within 30 seconds.

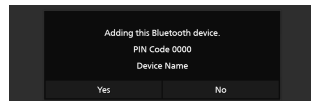
9 Operate your smartphone/cell-phone according to the displayed messages.

● Confirm the request both on the smartphone/cell-phone.



● Input the PIN Code in your smartphone/cell-phone.

PIN Code is set to "0000" as the default.





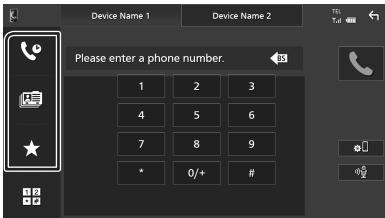
10 Touch **Yes**.





Using the Hands-Free Unit

You can use the telephone function by connecting the Bluetooth telephone to this unit.



Make a call

- 1 Press the **HOME** /  button.
- 2 Touch .
- 3 Touch **TEL**.
 - ▶ Hands-Free screen appears.
- 4 Select a dialing method.




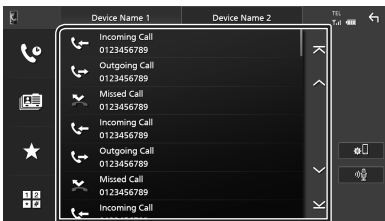
- : Call using call records
- : Call using the phonebook
- : Call using the preset number
- : Call by entering a phone number

Call by entering a phone number

- 1 Touch .
- 2 Enter a phone number with number keys.
- 3 Touch .

Call using call records

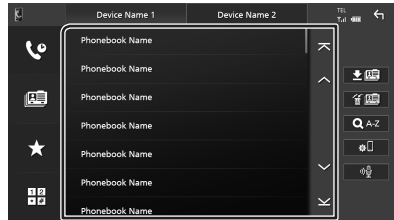
- 1 Touch .
- 2 Select the phone number from the list.



Call using the phonebook

- 1 Touch .
- 2 Touch .

- 3 Select the initial.
 - Characters with no corresponding name will not appear.
- 4 Select the person you want to call from the list.





- 5 Select the phone number from the list.

Call using the preset number

- 1 Touch .
- 2 Touch the name or phone number.



Receive a call

- 1 Touch  to answer a phone call or  to reject an incoming call.



To end call

- 1 While talking, touch .

Connection/ Installation

This section is for the professional installer. For safety's sake, leave wiring and mounting to professionals. Consult the car audio dealer.

Before Installation

Before installation of this unit, please note the following precautions.

▲ WARNINGS

- If you connect the ignition wire (red) and the battery wire (yellow) to the car chassis (ground), you may cause a short circuit, that in turn may start a fire. Always connect those wires to the power source running through the fuse box.
- Do not cut out the fuse from the ignition wire (red) and the battery wire (yellow). The power supply must be connected to the wires via the fuse.

▲ CAUTION

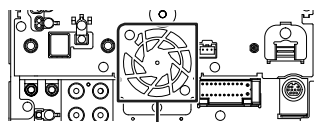
- Install this unit in the console of your vehicle. Do not touch the metal part of this unit during and shortly after the use of the unit. Metal part such as the heat sink and enclosure become hot.

NOTE

- Mounting and wiring this product requires skills and experience. For best safety, leave the mounting and wiring work to professionals.
- Do not install the unit if it becomes an obstacle to driver performance.
- Adjust the panel position not to become an obstacle to driver performance.
- Make sure to ground the unit to a negative 12V DC power supply.
- Do not install the unit in a spot exposed to direct sunlight or excessive heat or humidity. Also avoid places with too much dust or the possibility of water splashing.
- Do not use your own screws. Use only the screws provided. If you use the wrong screws, you could damage the unit.
- If the power is not turned ON ("There is an error in the speaker wiring. Please check the connections." is displayed), the speaker wire may have a short-circuit or touched the chassis

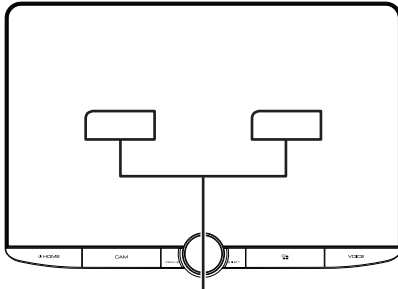
of the vehicle and the protection function may have been activated. Therefore, the speaker wire should be checked.

- If your car's ignition does not have an ACC position, connect the ignition wires to a power source that can be turned on and off with the ignition key. If you connect the ignition wire to a power source with a constant voltage supply, such as with battery wires, the battery may be drained.
- If the console has a lid, the lid will not be closed even when the unit is installed correctly.
- If the fuse blows, first make sure the wires are not touching to cause a short circuit, then replace the old fuse with one with the same rating.
- Insulate unconnected wires with vinyl tape or other similar material. To prevent a short circuit, do not remove the caps on the ends of the unconnected wires or the terminals.
- Connect the speaker wires correctly to the terminals to which they correspond. The unit may be damaged or fail to work if you share the ⊖ wires or ground them to any metal part in the car.
- When only two speakers are being connected to the system, connect the connectors either to both the front output terminals or to both the rear output terminals (do not mix front and rear). For example, if you connect the ⊕ connector of the left speaker to a front output terminal, do not connect the ⊖ connector to a rear output terminal.
- After the unit is installed, check whether the brake lamps, blinkers, wipers, etc. on the car are working properly.
- Mount the unit so that the mounting angle is 30° or less.
- This unit has the cooling fan to decrease the internal temperature. Do not mount the unit in a place where the cooling fan of the unit is blocked. Blocking these openings will inhibit the cooling of the internal temperature and result in malfunction.



Cooling fan

- Do not press hard on the panel surface when installing the unit to the vehicle. Otherwise scars, damage, or failure may result.
- Reception may drop if there are metal objects near the Bluetooth antenna.



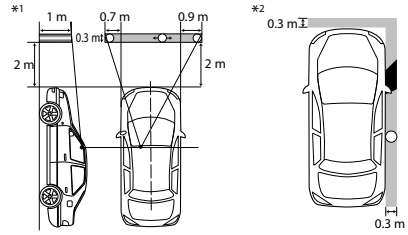
Bluetooth/Wi-Fi antenna unit

Installation procedure

- 1) To prevent a short circuit, remove the key from the ignition and disconnect the \ominus terminal of the battery.
- 2) Remove the vehicle parts for installing the unit and connecting wires to terminal.
- 3) Make the proper input and output wire connections for each unit.
- 4) Determine the height of the display unit and position of the slider. See **Distance between the display unit and the main unit (P.14)**.
- 5) Take Connector B on the wiring harness and connect it to the speaker connector in your vehicle.
- 6) Take Connector A on the wiring harness and connect it to the external power connector on your vehicle.
- 7) Connect the wiring harness connector to the unit.
- 8) Install the main unit to the vehicle.
- 9) Reinstall the vehicle parts.
- 10) Install the display unit.
- 11) Reconnect the \ominus terminal of the battery.
- 12) Perform the Initial Setup.
See **Initial SETUP (P.6)** in the Instruction Manual.

Forward and Lateral Fields of Vision

- To determine driver's forward and lateral fields of vision under normal conditions, place a pole (directly visible from the front or visible through the car rear-view mirror) as shown.



- : Pole (height: 1m, diameter: 0.3m)
- : Field of vision from steering position
- : Exempted area (pole size is subject to regulation)

- For right hand drive vehicles, standards are reversed.

*1 The pole must be visible from the driver's position as direct forward field of vision.

*2 The pole must be directly visible or indirectly visible through the mirror, etc. from the driver's position.

Supplied accessories for installation

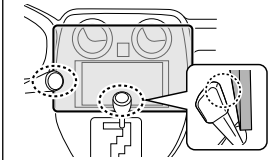
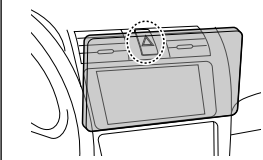
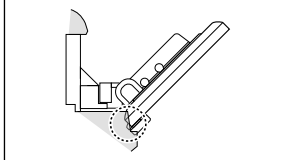
① x1	⑧ x1
② x1	⑨ x2
③ x1	⑩ Left/Right x1
④ x1	⑪ (M5 x 8 mm) x6
⑤ (Ø3 x 6 mm) (Black) x2	
⑥ (3.5 m) x1	
⑦ x1	

Installing the unit

Confirm the installing position of the display unit

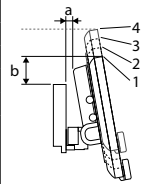
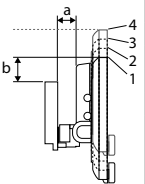
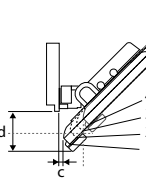
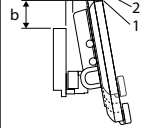
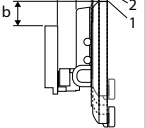
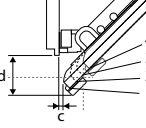
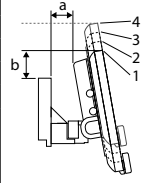
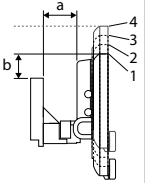
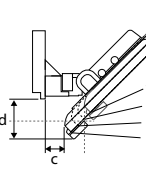
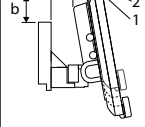
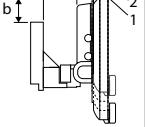
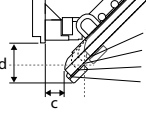
● Vehicles cannot be installed

It may be possible to install if it can avoid the following by adjustment for slider position and display height.

Lever operations are interfered such as shift lever, wiper lever, winker lever when install the unit.	A hazard switch is hidden from a driver seat.	The display unit hits a panel on the vehicle.
		

● Distance between the display unit and the main unit

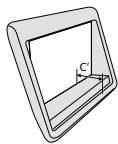
Adjust slider position and display height so that it does not interfere with display movement.

Slider position	Display angle				Display height				
	-10°	0°	45°		1	2	3	4	
Back position				-10°	a	10			
				-10°	b	38.1	50.9	63.8	76.5
				0°	a	26.7			
				0°	b	34.7	47.7	60.7	73.7
				0°	c	5.7	14.4	24.1	33.4
				45°	d	55.4	46.3	37.1	27.8
Forward position				-10°	a	30.1			
				-10°	b	38.1	50.9	63.8	76.5
				0°	a	46.7			
				0°	b	34.7	47.7	60.7	73.7
				0°	c	25.7	34.9	44.1	53.3
				45°	d	55.4	46.3	37.1	27.8

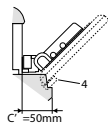
Unit: mm

Examples

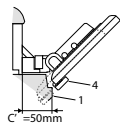
Cluster panel on the vehicle



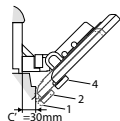
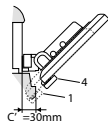
Slider in back position



Slider in forward position



- C=50mm;
Slider position: Forward position
Display height: Set only "4"

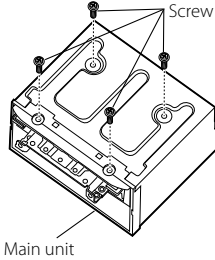


- C=30mm;
Slider position: Back position
Display height: Set only "4"

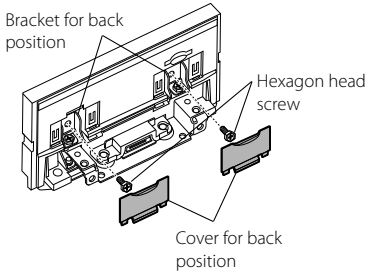
Slider position: Forward position
Display height: Set "2"~"4"

Positioning the slider in forward

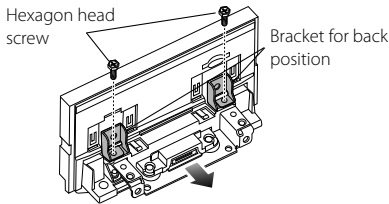
1 Remove the four screws from the bottom of the main unit.



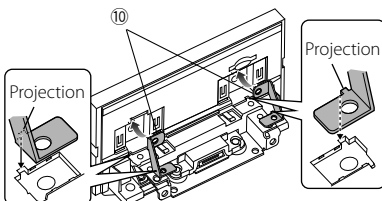
2 Remove the two cover for back position, and then remove the two hexagon head screws from the bracket for back position.



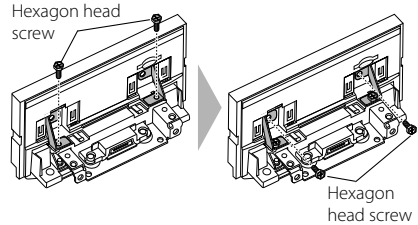
3 Pull the slider block forward and remove the two hexagon head screws to remove the bracket for back position.



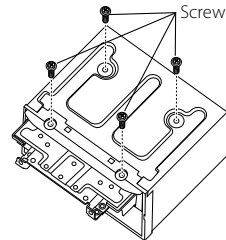
4 Install the bracket for forward position (accessory 10) each side so that its projections are aligned with the slots on the main unit.



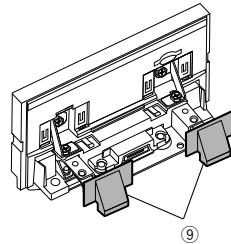
5 Fix the bracket for forward position to the slider block with the two hexagon head screws. Push the slider block until it stops and then fix the bracket for forward position to the main unit with the two hexagon head screws.



6 Reinstall the four screws to the bottom of the main unit.

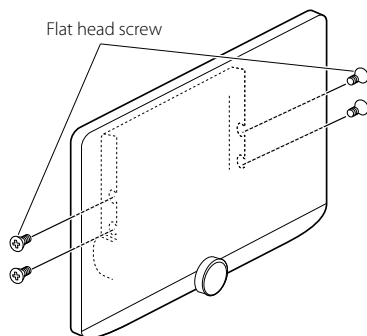


7 Install the cover for forward position (accessory 9) to two locations, as shown.

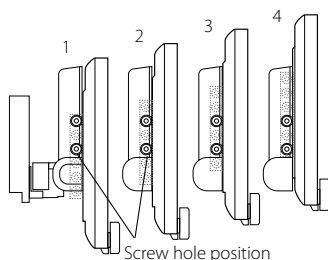


Adjusting the display height

- 1 Remove the four flat head screws from both sides.



- 2 Adjust the display height according to the screw hole position. Default is "1".



- 3 Reinstall the four flat head screws on both sides and fix the display.

NOTE

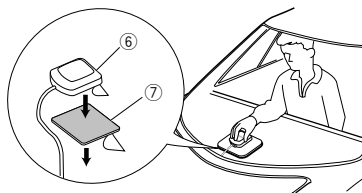
- Fix with flat head screws correctly. After installing the display unit (accessory ⑥) to the main unit, tilt the display forward until it stops and confirm that the display unit (accessory ⑧) does not hit vehicle parts. If the display unit hits vehicle parts, adjust the display height again.

GPS antenna

GPS antenna is installed inside of the car. It should be installed as horizontally as possible to allow easy reception of the GPS satellite signals.

To mount the GPS antenna inside your vehicle:

- 1) Clean your dashboard or other surface.
- 2) Remove the separator of the metal plate (accessory ⑦).
- 3) Press the metal plate (accessory ⑦) down firmly on your dashboard or other mounting surface. You can bend the metal plate (accessory ⑦) to conform to a curved surface, if necessary.
- 4) Remove the separator of the GPS antenna (accessory ⑥), and stick the antenna to the metal plate (accessory ⑦).

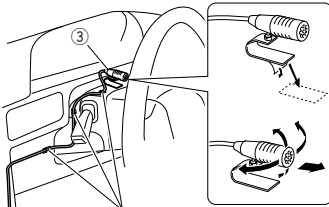


NOTE

- Use the supplied GPS antenna. Using the GPS antenna other than the supplied one may cause a drop in positioning accuracy.
- Depending on the type of car, reception of the GPS satellite signals might not be possible with an inside installation.
- Please install this GPS antenna in an area away from any antennas that are used with CB radios or satellite televisions.
- The GPS antenna should be installed at a position that is spaced at least 12 inch (30 cm) from smartphone/cell-phone or other transmitting antennas. Signals from the GPS satellite may be interfered with by these types of communication.
- Painting the GPS antenna with (metallic) paint may cause a drop in performance.

Microphone unit

- 1) Check the installation position of the microphone (accessory ③).
- 2) Clean the installation surface.
- 3) Remove the separator of the microphone (accessory ③), and stick the microphone to the place shown below.
- 4) Wire the microphone cable up to the unit with it secured at several positions using tape or other desired method.
- 5) Adjust the direction of the microphone (accessory ③) to the driver.



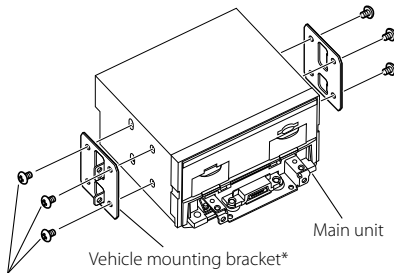
Fix a cable with a commercial item of tape.

Installing the main unit

NOTE

- Determine the slider position before installing the main unit. **(P.15)** The slider position cannot be changed after installing to the vehicle.
- Make sure that the unit is installed securely in place. If the unit is unstable, it may malfunction (eg, the sound may skip).

- 1 Remove parts that interfere with installing such as a panel on the vehicle.
- 2 Install the vehicle mounting bracket to the main unit.

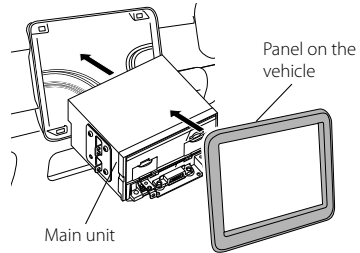


Screw* (M5 x 8 mm)

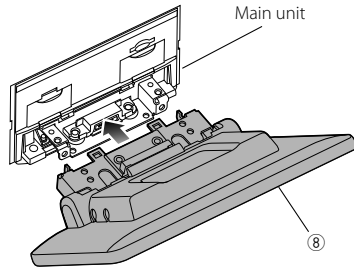
* Sold separately

- 3 Connect the wiring harness wires and peripheral equipment.

- 4 Install the main unit to the vehicle.
- 5 Reinstall the removed parts such as a panel on the vehicle.



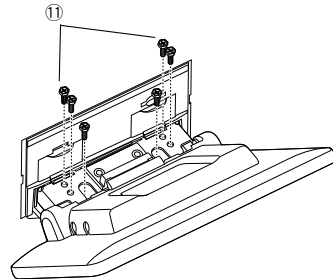
- 6 Install the display unit (accessory ⑧) to the main unit.



NOTE

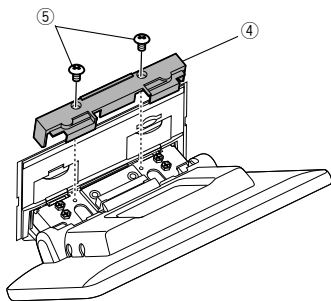
- If the display unit hits a panel on the vehicle, adjust the display height by referring to **Adjusting the display height (P.16)**.

- 7 Fix the display unit with six hexagon head screws (accessory ⑪).



Connection/Installation

- 8** Attach the protective cover (accessory ④) to coupling part, and then fix it with two binding head screws (accessory ⑤).



NOTE

- If the protective cover (accessory ④) is not attached, this unit will not turn on. Even if the unit is turned on, the power may be turned off halfway.
Be sure to attach the protective cover (accessory ④).

- 9** Raise the display manually.

Wiring harness (Accessory ①) connector function guide

Pin	Color and function	
A-4	Yellow	Battery
A-5	Blue/White [2]	Power Control
A-6	Orange/White	Dimmer
A-7	Red	Ignition (ACC)
A-8	Black	Earth (Ground) Connection
B-1/B-2	Purple (+) / Purple/Black (-)	Rear Right
B-3/B-4	Gray (+) / Gray/Black (-)	Front Right
B-5/B-6	White (+) / White/Black (-)	Front Left
B-7/B-8	Green (+) / Green/Black (-)	Rear Left

*Speaker Impedance: 4-8 Ω

[1] [2]: Blue/White wire is provided two wires, [1] and [2].

Blue/White wire total output ([1] + [2]):

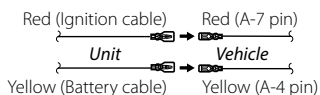
12 V \approx 350 mA

▲WARNING for Connecting the ISO Connector

The pin arrangement for the ISO connectors depends on the type of vehicle you drive. Make sure to make the proper connections to prevent damage to the unit. The default connection for the wiring harness is described in (1) below. If the ISO connector pins are set as described in (2), make the connection as illustrated. Please be sure to reconnect the cable as shown (2) below to install this unit to the Volkswagen vehicles etc.

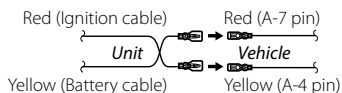
(1): Default setting

The red (A-7 pin) of the vehicle's ISO connector is linked with the ignition, and the yellow (A-4 pin) is connected to the constant power supply.

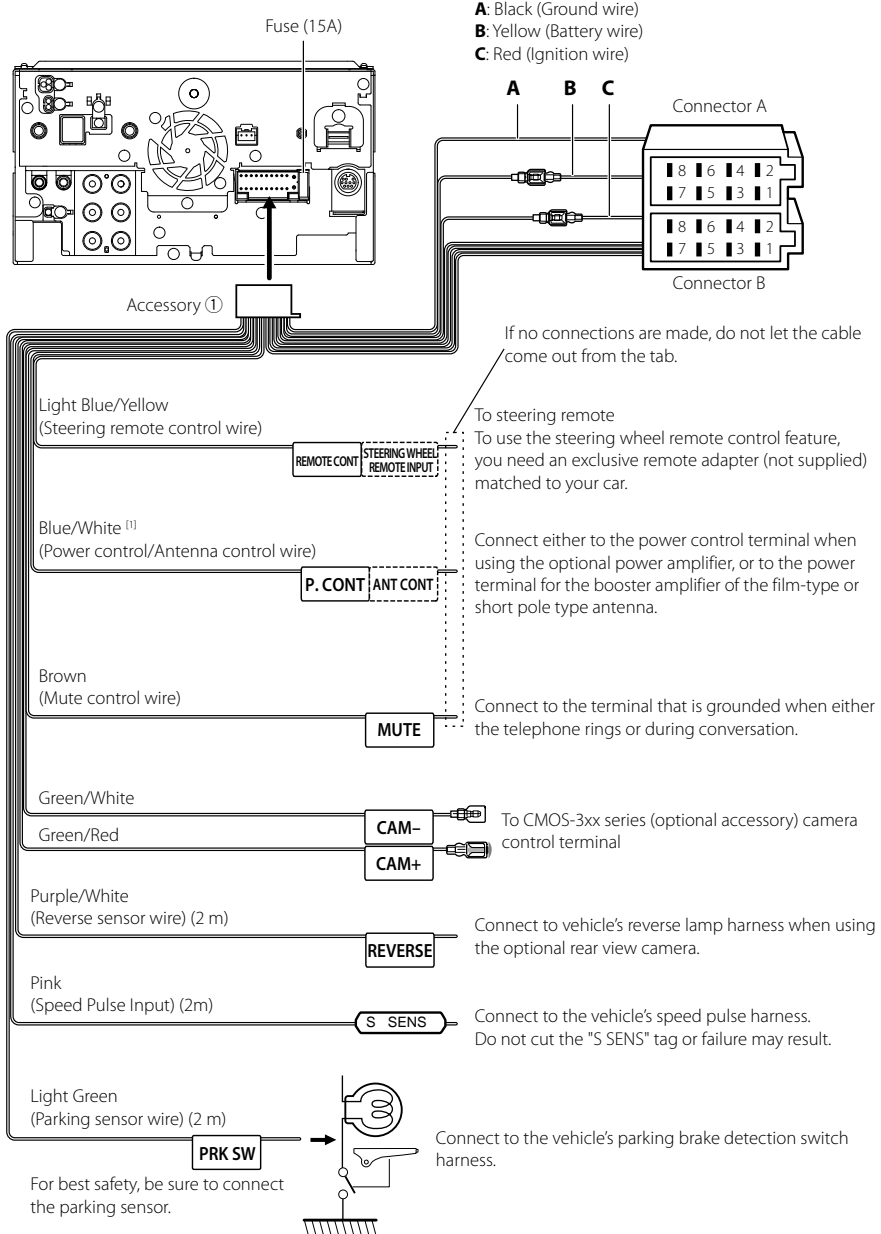


(2)

The red (A-7 pin) of the vehicle's ISO connector is connected to the constant power supply, and the yellow (A-4 pin) is linked to the ignition.



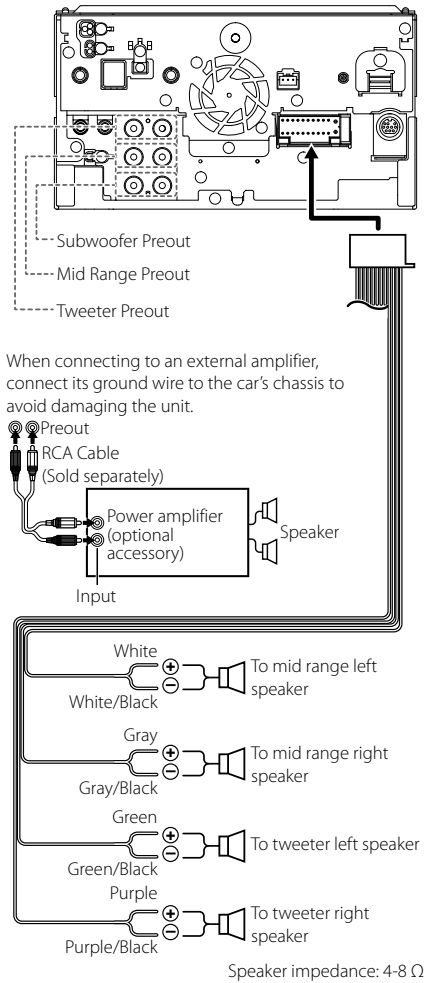
Connecting wires to terminals



[1] [2]: Blue/White wire is provided two wires, [1] and [2]. Blue/White wire total output ([1] + [2]): 12 V \approx 350 mA

Connection/Installation

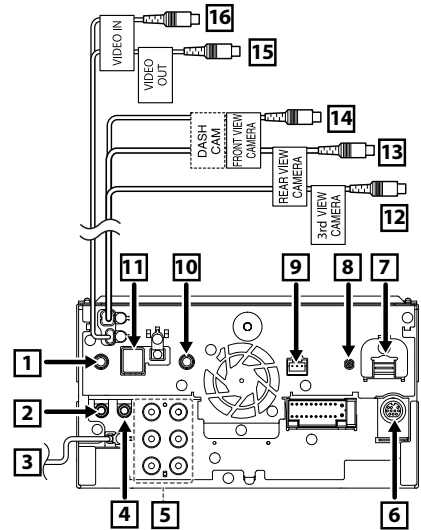
3-way speaker system setup

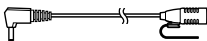
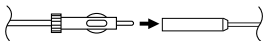
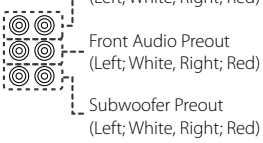


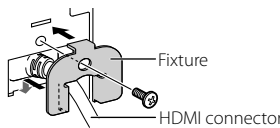
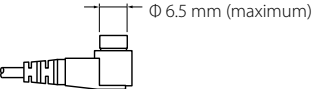
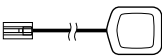
NOTE

- For speaker system setup, see **3-way speaker system setup (P.57)** in the Instruction Manual.
- For speaker setup and crossover setup, see **Speaker / X'over setup (P.58)** in the Instruction Manual.
- For how to connect speaker wires to terminals other than speaker terminals and Preout terminals, see **Connecting the system and external components (P.20)** and **Connecting wires to terminals (P.19)**.

Connecting the system and external components



1	Connect to vehicle's steering remote harness. Contact your KENWOOD dealer for details.
2	Accessory ③: Bluetooth Microphone 
3	FM/AM antenna input 
4	AV Audio output (ø3.5 mini jack)
5	When connecting to an external amplifier, connect its ground wire to the car's chassis to avoid damaging the unit. 
6	External I/F Maximum power supply current : 12 V = 500 mA

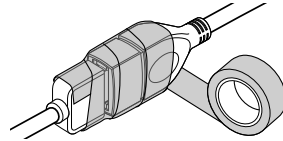
<p>7</p>	<p>HDMI input Use HDMI cable KCA-HD100 (optional accessory). When you connect the cable to HDMI terminal, remove the fixture. After connecting the cable, put the fixture again.</p>  <p>Fixture HDMI connector</p>
<p>8</p>	<p>Digital Radio antenna CX-DAB1 (Optional accessory) ⚠ Use of a CX-DAB1 (optional accessory) as a Digital Radio antenna is recommended. When using a commercially available Digital Radio antenna, the diameter of the SMB connector must be $\Phi 6.5$ mm or less.</p>  <p>$\Phi 6.5$ mm (maximum)</p>
<p>9</p>	<p>Dashboard camera interface Connect a Dashboard Camera DRV-N520 (optional accessory). (P.23)</p>
<p>10</p>	<p>AV Audio input ($\phi 3.5$ mini jack)</p>
<p>11</p>	<p>Accessory ⑥: GPS Antenna Use the supplied GPS antenna. Using the GPS antenna other than the supplied one may cause a drop in positioning accuracy.</p> 
<p>12</p>	<p>3rd view camera input (Yellow). See To set up the camera assignment settings (P.23).</p>
<p>13</p>	<p>Rear view camera input (Yellow) *1</p>
<p>14</p>	<p>Front view camera/Dashboard camera input (Yellow).*2 See To set up the camera assignment settings (P.23).</p>
<p>15</p>	<p>Video output (Yellow)</p>
<p>16</p>	<p>Video input (Yellow)</p>

*1 Connect an HD camera to Rear view camera input terminal to use HD video.

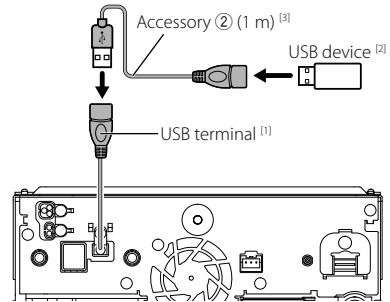
*2 Connect an HD camera to Front view camera/Dashboard camera input terminal to use HD video.

■ Securing the USB extension cable

Secure the USB extension cable with insulating tape or the like so that its connectors are not disconnected.



■ Connecting a USB device



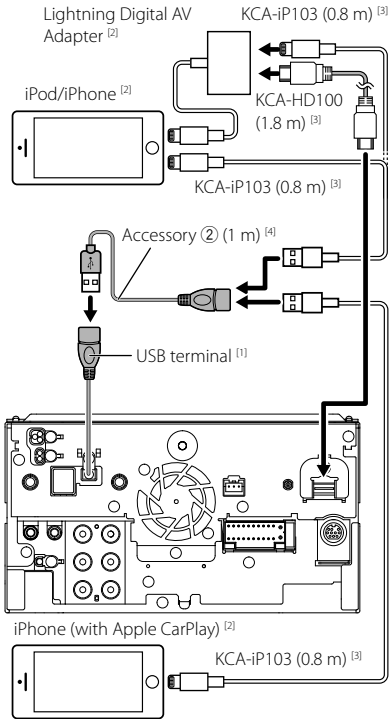
^[1] USB maximum power supply current :
DC 5 V $\overline{\text{---}}$ 1.5 A

^[2] Sold separately

^[3] See **Securing the USB extension cable (P.21)**.

Connection/Installation

Connecting an iPod/iPhone



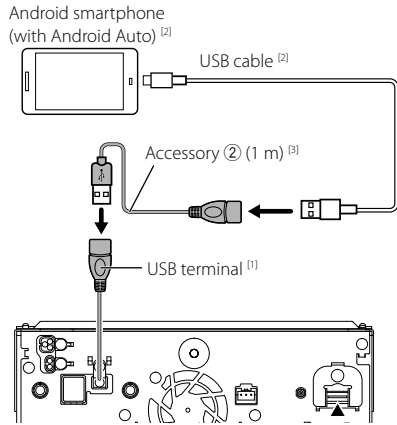
^[1] USB maximum power supply current :
DC 5 V $\overline{=}$ 1.5 A

^[2] Sold separately

^[3] Optional accessory

^[4] See **Securing the USB extension cable (P.21)**.

Connecting an Android smartphone

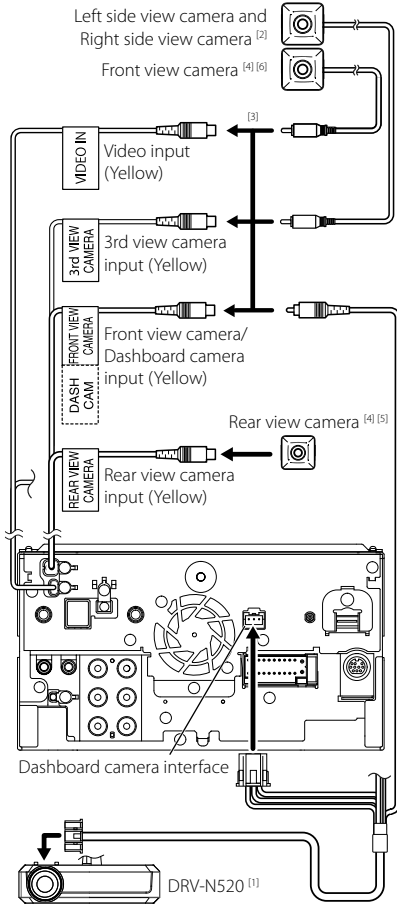


^[1] USB maximum power supply current :
DC 5 V $\overline{=}$ 1.5 A

^[2] Sold separately

^[3] See **Securing the USB extension cable (P.21)**.

■ Connecting the camera



⁽¹⁾ Optional accessory

⁽²⁾ Sold separately

⁽³⁾ Up to 3 cameras of Dashboard camera, Front view camera, Left side view camera and Right side view camera can be connected. **(P.23)**

⁽⁴⁾ CMOS-3xx series (optional accessory) or commercially available camera.

⁽⁵⁾ For HD video, an HD camera is also used as Rear view camera.

⁽⁶⁾ For HD video, an HD camera is also used as Front view camera.

■ To set up the camera assignment settings

- 1 Press the **HOME / ⏻** button.
- 2 Touch **⚙️**.
- 3 Touch **SETUP**.
➤ SETUP Menu screen appears.
- 4 Touch **Camera**.
➤ Camera setting menu appears.
- 5 Touch **Camera Assignment Settings**.
- 6 Select the item to set up.

■ REAR VIEW CAMERA

Set the camera assignment from view camera connected to Rear view camera input terminal.

■ FRONT VIEW CAMERA / DASH CAM

Set the camera assignment from view camera connected to Front view camera/Dashboard camera input terminal.

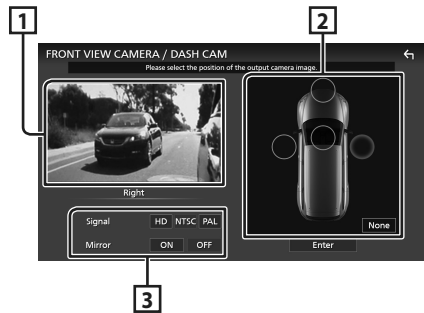
■ 3rd VIEW CAMERA

Set the camera assignment from view camera connected to 3rd view camera input terminal.

■ VIDEO IN

Set the camera assignment from view camera connected to Video input terminal.

- 7 Select the view camera to set up.



1 **Picture from view camera**

2 **Camera position**

3 **Picture quality settings**

- 8 Touch **Enter**.

Table des matières

Avant l'utilisation	24
À propos du guide de démarrage rapide	24
Précautions	24
Comment lire ce manuel.....	25
Fonctionnement tactile.....	25
Note pour les spécifications.....	25
Utilisation de base	26
Fonctions des boutons en façade.....	26
Mise en marche de l'appareil.....	26
Réglages du calendrier/horloge.....	26
Écran HOME.....	27
Menu contextuel.....	27
Radio	28
Radio numérique	28
USB/iPod/iPhone	29
Utilisation du Bluetooth	30
Enregistrez le périphérique Bluetooth.....	30
Utilisation du module mains-libres.....	31
Connexion/Installation	32
Avant l'installation.....	32
Installation de l'appareil.....	34

Avant l'utilisation

À propos du guide de démarrage rapide

- Ce Guide de démarrage rapide décrit les fonctions de base de cet appareil. Pour les fonctions non décrites dans ce guide, reportez-vous au manuel d'instructions disponible sur le site Web suivant : <https://manual.kenwood.com/edition/im406/>



- Le mode d'emploi est susceptible d'être modifié suite aux changements pouvant être apportés aux spécifications etc. Téléchargez impérativement la dernière édition du mode d'emploi aux fins de référence.

Précautions

▲ AVERTISSEMENTS

■ Pour éviter toute blessure ou incendie, prenez les précautions suivantes :

- Pour éviter un court-circuit, ne mettez ni ne laissez jamais d'objets métalliques (comme des pièces de monnaie ou des outils métalliques) à l'intérieur de l'appareil.
- Ne regardez pas ni ne fixez votre regard sur l'affichage de l'appareil trop longtemps pendant la conduite.
- Si vous rencontrez des problèmes pendant l'installation, consultez votre revendeur KENWOOD.

■ Précautions d'utilisation de l'appareil

- Lorsque vous achetez des accessoires en option, vérifiez auprès de votre revendeur KENWOOD qu'ils fonctionneront avec votre modèle et dans votre région.
- Vous avez le choix de la langue dans laquelle s'affichent les menus, les balises des fichiers audio, etc. Voir **Configuration système (p.56)** dans le mode d'emploi.
- La fonction Radio Data System ne fonctionne pas dans les zones où le service n'est pris en charge par aucune station de radiodiffusion.

■ Protection du moniteur

- Ne touchez pas le moniteur avec un stylo à bille ou tout autre outil pointu. Cela pourrait l'endommager.

■ Nettoyage de l'appareil

- Si la façade de l'appareil est tâchée, essuyez-la avec un chiffon doux et sec comme un chiffon en silicone. Si la façade est très sale, essuyez-la avec un chiffon humidifié d'un produit de nettoyage neutre, puis essuyez-la à nouveau avec un chiffon doux et sec propre.

REMARQUE

- La pulvérisation directe de produit de nettoyage sur l'appareil risque d'endommager les pièces mécaniques. Si vous nettoyez la façade avec un chiffon trop rugueux ou un liquide volatil, comme un solvant ou de l'alcool, vous risquez d'en rayer la surface ou d'effacer les caractères sérigraphiés.

■ Réception du signal GPS

Lors de la première mise sous tension de l'appareil, vous devez attendre que le système acquière les signaux satellite pour la première fois. Ce processus peut durer quelques minutes. Pour une acquisition rapide des signaux, veillez à ce que votre véhicule se trouve à l'extérieur, sur une zone ouverte éloignée des bâtiments hauts et des arbres.

Après la première acquisition des signaux satellite, le système pourra acquérir les signaux satellite plus rapidement par la suite.

■ À propos de GLONASS

Cet appareil utilise le Système mondial de navigation par satellite (GLONASS) en plus du GPS.

La combinaison du GPS et du GLONASS permet d'affiner la précision de positionnement par rapport au GPS seul.

■ Avertissement pour les utilisateurs de smartphones

L'exécution en simultané de plusieurs applications sur votre smartphone, en écran partagé, sollicite tout particulièrement son microprocesseur, d'où une altération potentielle des performances et de la qualité des communications.

Afin d'obtenir des résultats optimaux lors de l'appariement de votre récepteur KENWOOD, assurez-vous de fermer toutes les applications inutilisées.

Comment lire ce manuel

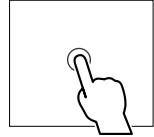
- Les écrans et façades illustrés dans le présent manuel sont des exemples destinés à fournir une explication plus claire des opérations. C'est pourquoi il est possible qu'ils soient différents des écrans ou de la façade de l'appareil, ou que certaines séquences d'affichage soient différentes de celles utilisées.
- **Langue d'affichage:** L'anglais est utilisé dans un but explicatif. Vous pouvez choisir la langue d'affichage à partir du menu **SETUP**. Voir **Configuration système (p.56)** dans le mode d'emploi.

Fonctionnement tactile

Pour réaliser des opérations sur l'écran, vous devez toucher, toucher longuement, feuilleter ou défiler pour sélectionner un élément, afficher l'écran de menu de réglage ou changer les pages.

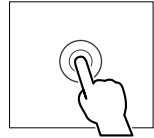
● Toucher

Touchez légèrement l'écran pour sélectionner un élément sur l'écran.



● Toucher longuement

Touchez l'écran et gardez votre doigt sur l'écran jusqu'à ce que l'affichage change ou qu'un message soit affiché.



● Feuilletter

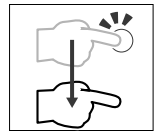
Faites glisser votre doigt rapidement vers la gauche ou vers la droite sur l'écran pour changer de page.



Vous pouvez faire défiler un écran de liste en faisant glisser votre doigt vers le haut/bas sur l'écran.

● Défiler

Faites glisser votre doigt vers le haut ou le bas pour faire défiler l'écran.



Note pour les spécifications

■ Section Bluetooth

Fréquence

: 2,402 – 2,480 GHz

Puissance de sortie RF (E.I.R.P.)

: +4 dBm (MAX), classe de puissance 2

■ Général

Tension de fonctionnement

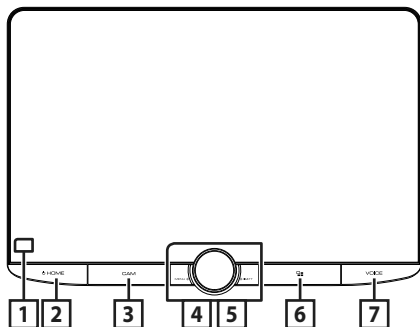
: batterie de voiture 12 V CC

Impédance d'enceinte

: 4 – 8 Ω

Utilisation de base

Fonctions des boutons en façade



REMARQUE

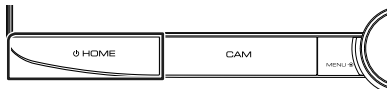
• Les écrans illustrés dans le présent manuel sont des exemples destinés à fournir une explication plus claire des opérations. Pour cette raison, il peut arriver qu'ils soient différents de ceux rencontrés dans la réalité.

Désignation	Mouvement
1 Capteur de télécommande	• Reçoit le signal de la télécommande.
2 HOME/⏻	• Affiche l'écran d'ACCUEIL (p.27). • Appuyez pendant 1 seconde pour éteindre l'appareil. • Quand l'appareil est éteint, permet de le mettre en marche.
3 CAM	• Active/désactive l'affichage de la caméra de vue.
4 MENU/ATT	• Affiche l'écran du menu contextuel. • Appuyez pendant 1 seconde pour commuter l'atténuation du volume sur marche/arrêt.
5 Bouton du volume	• Règle le volume.
6	• Affiche l'écran APP (Apple CarPlay/Android Auto/ Miroitage sans fil). • Lorsque l'écran de l'application s'affiche, l'écran passe à l'écran de contrôle de la source actuelle.

Désignation	Mouvement
7 VOICE	<ul style="list-style-type: none"> • Active ou désactive la fonction de reconnaissance vocale. • Lorsque ni Apple CarPlay, ni Android Auto, ni un téléphone mains libres Bluetooth n'est connecté, le fait de maintenir enfoncé le bouton permet d'afficher la boîte de dialogue de mise en attente d'appariement Bluetooth.

Mise en marche de l'appareil

1 Appuyez sur le bouton HOME/⏻.



➤ L'appareil se met en marche.

● Pour éteindre l'appareil :

1 Appuyez sur le bouton HOME/⏻ pendant 1 seconde.

Réglages du calendrier/horloge

1 Appuyez sur le bouton HOME/⏻.

2 Touchez

3 Touchez **SETUP**.

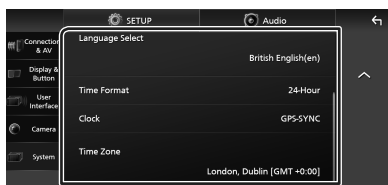
➤ L'écran de menu de configuration s'affiche.

4 Touchez **System**.

➤ Le menu des paramètres du système s'affiche.

5 Réglez chaque option comme suit.

Faites défiler la page pour afficher les éléments cachés.



■ **Time Format**

Sélectionnez le format d'affichage de l'heure.

12-Hour / 24-Hour (valeur par défaut)

■ **Clock**

GPS-SYNC (Par défaut): Synchronise l'heure de l'horloge avec le GPS.

Manual: Réglez l'horloge manuellement.

■ Time Zone

Sélectionnez le fuseau horaire.

■ Clock Adjust

Si vous sélectionnez **Manual** pour l'horloge, réglez la date et l'heure manuellement. (p.27)

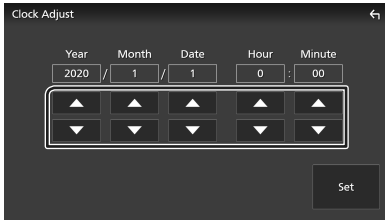
REMARQUE

• Veuillez régler la date et l'heure. Si elles ne sont pas réglées, certaines fonctions peuvent ne pas fonctionner.

● Réglez la date et l'heure manuellement

1 Touchez **Clock Adjust** dans le menu de configuration du système.

2 Réglez la date puis l'heure.



3 Touchez **Set**.

Écran HOME

La plupart des fonctions sont accessibles depuis l'écran ACCUEIL.

1 Appuyez sur le bouton **HOME / ⏻**.



- 1** • Widget (élément graphique)
- 2** • Affiche l'écran de sélection de la source.
- 3** • Affiche l'écran du menu CONFIGURATION.
- 4** • Icônes de raccourci de source de lecture

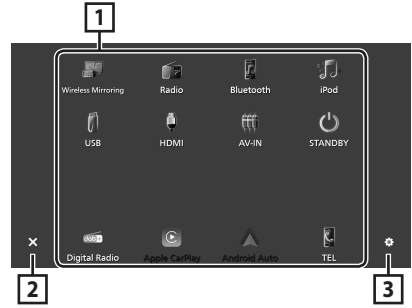
■ Description de l'écran de sélection de source

Vous pouvez afficher les icônes de toutes les sources de lecture et les options sur l'écran de sélection de source.

1 Appuyez sur le bouton **HOME / ⏻**.
 ➤ L'écran d'ACCUEIL apparaît.

2 Touchez .

Depuis cet écran, vous pouvez sélectionner les sources et fonctions suivantes.

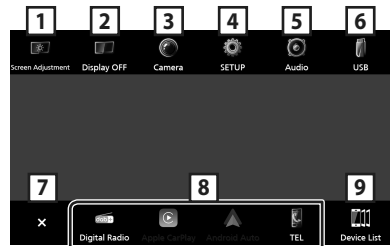


- 1** • Change les sources de lecture.
- 2** • Revient à l'écran précédent.
- 3** • Affiche l'écran du menu CONFIGURATION.

Menu contextuel

1 Appuyez sur le bouton **MENU / ATT**.
 ➤ Le menu contextuel s'affiche.

2 Appuyez pour afficher le menu contextuel.



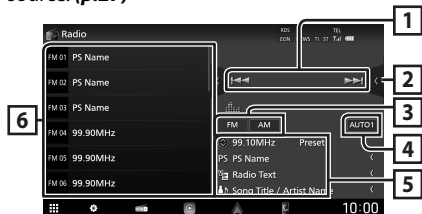
Le menu contient les options suivantes.

- 1** • Affiche l'écran de réglage de l'écran.
- 2** • Éteint l'affichage.
- 3** • Affiche l'écran de la caméra de vue.
- 4** • Affiche l'écran du menu CONFIGURATION.
- 5** • Affiche l'écran audio.
- 6** • Affiche l'écran de contrôle de la source en cours. Les fonctionnalités attachées au pictogramme varient selon les sources. Cette icône est pour la source USB.
- 7** • Fermez le menu contextuel.
- 8** • Icônes de sources de raccourcis :

- 9 • Affiche la liste des périphériques Android Auto. Cette icône n'apparaît que si Android Auto est connecté et que deux périphériques ou plus peuvent être utilisés comme source Android Auto.

Radio

Pour écouter la source radio, appuyez sur l'icône **Radio** sur l'écran de sélection de la source. (p.27)



1 Touches de commande

- **◀▶** : Syntoniser sur une station. Il est possible de changer la méthode de commutation des fréquences (voir 4) Mode de recherche).

2 Panneau de fonction

Appuyez sur le côté droit de l'écran pour afficher le panneau de fonction. Appuyez de nouveau pour fermer le panneau.

- **TI** (FM uniquement) : Sélectionne le mode infos-traffic.
- **SETUP** (FM uniquement) : Affiche l'écran de CONFIGURATION de la radio.
- **AME** : Prédéfinit automatiquement les stations.
- **PTY** (FM uniquement) : Recherche un programme par type de programme.
- **MONO** (FM uniquement) : Sélectionne le mode de réception monaurale.
- **LO.S** (FM uniquement) : Active ou désactive la fonction de recherche locale.

3 Touches de bande

Change les bandes (entre FM et AM).

4 Mode de recherche

Touchez pour changer de mode de recherche dans l'ordre suivant : **AUTO1**, **AUTO2**, **MANUAL**.

- **AUTO1** : Syntonise automatiquement sur une station offrant une bonne réception.
- **AUTO2** : Syntonise les stations en mémoire les unes après les autres.
- **MANUAL** : Commute sur la fréquence suivante manuellement.

5 Affichage des informations

- Affiche les informations concernant la station en cours : Fréquence
Préréglage # : Numéro de préréglage

6 Liste des présélections

- Un simple appui sur **◀ / ▶** vous permet de changer la taille de l'écran.
- Rappelle la station mémorisée.
- En le touchant pendant 2 secondes, il mémorise la station en cours de réception.

Mémoire automatique

Vous pouvez enregistrer automatiquement les stations offrant une bonne réception dans la mémoire.

- 1 Touchez la touche de la bande de votre choix (**FM / AM**).
- 2 Touchez **▶** sur le côté gauche de l'écran. Touchez **AME**.
- 3 Appuyez sur **Yes**.
▶ La mémorisation automatique se lance.

Radio numérique

Pour écouter une source radio numérique, appuyez sur l'icône **Digital Radio** sur l'écran de sélection de la source. (p.27)



1 Touches de commande

- **Q** : Affiche l'écran de liste des services.
- **◀▶** : Syntonisation sur un ensemble, un service et un composant. Le mode recherche de commutation peut être modifié. (voir 3) Mode de recherche).

2 Panneau de fonction

Appuyez sur le côté droit de l'écran pour afficher le panneau de fonction. Appuyez de nouveau pour fermer le panneau.

- **TI** : Sélectionne le mode infos-traffic.
- **SETUP** : Affiche l'écran de CONFIGURATION de la radio numérique.
- **PTY** : Recherche un programme par type de programme.

- **DLS** : Afficher l'écran de segment d'Étiquette Dynamique.

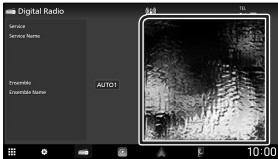
3 Mode de recherche

Touchez pour changer de mode de recherche dans l'ordre suivant : **AUTO1** , **AUTO2** , **MANUAL** .

- **AUTO1** : Syntonise automatiquement sur un ensemble offrant une bonne réception.
- **AUTO2** : Syntonise les ensembles en mémoire les uns après les autres.
- **MANUAL** : Commute sur l'ensemble suivant manuellement.

4 Affichage des informations

- Affiche les informations concernant la station en cours : Nom du service
- Touchez pour sélectionner successivement l'écran de contrôle ou d'information.



5 Liste des présélections

- Un simple appui sur / vous permet de changer la taille de l'écran.
- Rappelle le service mémorisé.
- En le touchant pendant 2 secondes, il mémorise le service en cours de réception.

USB/iPod/iPhone

Connexion d'un périphérique USB/iPod/iPhone

- 1 Connectez le périphérique USB avec le câble USB. (p.41)
Connectez l'iPod/iPhone à l'aide du KCA-iP103. (p.42)
- 2 Appuyez sur le bouton **HOME** / .
- 3 Touchez .
- 4 Appuyez sur **USB** ou **iPod** . (p.27)

Déconnexion d'un périphérique USB/iPod/iPhone

- 1 Appuyez sur le bouton **HOME** / .
- 2 Touchez une source autre que **USB** .
- 3 Détachez le périphérique USB/iPod/iPhone.

Utilisation de base



1 Touches d'opération

- : Fait une recherche de piste/fichier.
- : Recherche la piste/fichier précédent/suivant.
- : Lit ou met en pause.

2 Liste des contenus

- Touchez le côté gauche de l'écran pour afficher la Liste de contenu. Appuyez de nouveau pour fermer la liste.
- Affiche la liste de lecture. Lorsque vous appuyez sur un nom de fichier/piste dans la liste, la lecture démarre.

3 Informations sur la piste

- Affiche les informations concernant le fichier en cours.

4 Panneau de fonctions (USB uniquement)

Appuyez sur le côté droit de l'écran pour afficher le panneau de fonction. Appuyez de nouveau pour fermer le panneau.

- : Recherche le dossier précédent/suivant.

Écran vidéo (USB uniquement)



5 Zone de recherche des fichiers (fichier vidéo uniquement)

Touchez pour faire une recherche du fichier suivant/précédent.

6 Zone d'affichage des touches (fichier vidéo uniquement)

Touchez pour afficher l'écran de contrôle.

Utilisation du Bluetooth

Recherche

Vous pouvez rechercher des fichiers de musique ou vidéo en procédant comme suit.

- 1 Touchez **Q**.
- 2 Touchez **▼**.

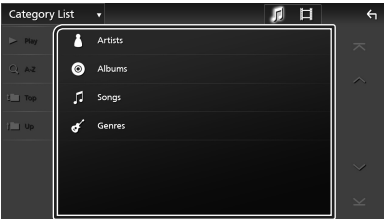


- 3 Choisissez un type de liste.



- 4 Sélectionnez si vous recherchez des fichiers audio ou des fichiers vidéo (USB uniquement)

- 5 Touchez la catégorie de votre choix.



► La liste correspondant à votre choix s'affiche.

- 6 Touchez pour sélectionner l'élément de votre choix dans la liste. Répétez cette étape jusqu'à ce que vous ayez trouvé le fichier voulu.

Utilisation du Bluetooth

L'utilisation de la fonction Bluetooth vous permet d'utiliser différentes fonctions telles que l'écoute du fichier audio et de passer/recevoir un appel.

Enregistrez le périphérique Bluetooth

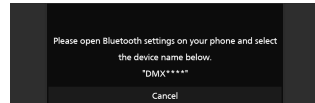
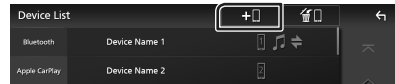
Il est indispensable de déclarer à l'appareil le lecteur audio Bluetooth ou le smartphone/téléphone portable avant de pouvoir utiliser la fonction Bluetooth.

Vous pouvez enregistrer jusqu'à 10 appareils Bluetooth.

REMARQUE

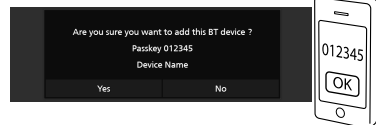
- Vous pouvez enregistrer jusqu'à 10 périphériques Bluetooth. Si vous essayez d'enregistrer un 11ème périphérique Bluetooth, le périphérique Bluetooth connecté à la date la plus ancienne sera effacé pour pouvoir enregistrer le 11ème.

- 1 Appuyez sur le bouton **HOME / ⏻**.
- 2 Touchez .
- 3 Touchez **SETUP**.
► L'écran de menu de configuration s'affiche.
- 4 Touchez **Connections & AV**.
- 5 Touchez **Device List**.
- 6 Choisissez un type de périphérique.
- 7 Touchez .
► La boîte de dialogue d'attente d'appariement Bluetooth apparaît.



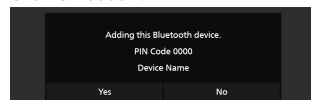
- 8 Recherchez l'appareil (« DMX9720XDS ») à partir de votre smartphone/téléphone portable.
Complétez les étapes 8 à 10 dans un délai de 30 secondes.
- 9 Utilisez votre smartphone/téléphone portable en fonction des messages affichés.

- Confirmez la requête sur le smartphone/téléphone portable.



- Entrez le code PIN sur votre smartphone/téléphone portable.

Le code PIN est défini par défaut comme la chaîne « 0000 ».




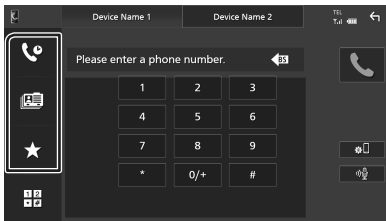
- 10 Appuyez sur **Yes**.





Utilisation du module mains-libres

Vous pouvez utiliser la fonction téléphone en connectant le téléphone Bluetooth à cet appareil.

Effectuez un appel

- 1 Appuyez sur le bouton **HOME** / **⏻**.
- 2 Touchez .
- 3 Touchez **TEL**.
 - L'écran mains libres apparaît.
- 4 Sélectionnez une méthode de numérotation.



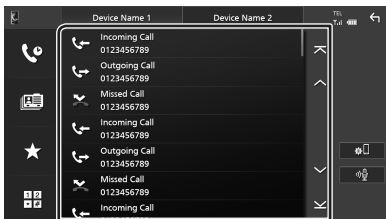
-  : Appel depuis l'historique des appels
-  : Appel depuis le répertoire téléphonique
-  : Appel depuis un numéro présélectionné
-  : Appel en saisissant un numéro de téléphone

Appel par entrée d'un numéro de téléphone



- 1 Touchez .
- 2 Utilisez les touches numériques pour entrer un numéro de téléphone.
- 3 Touchez .

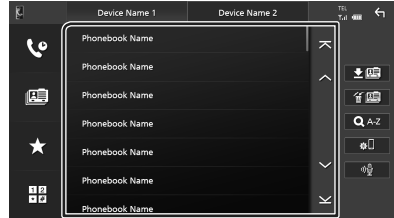
Appel depuis l'historique des appels

- 1 Touchez .
- 2 Sélectionnez dans la liste le numéro de téléphone.



Appel depuis le répertoire téléphonique

- 1 Touchez .
- 2 Touchez .
- 3 Sélectionner l'initiale.
 - Les caractères n'ayant aucun nom correspondant ne sont pas affichés.
- 4 Sélectionnez la personne que vous souhaitez appeler dans la liste.




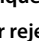
- 5 Sélectionnez dans la liste le numéro de téléphone.

Appel depuis un numéro présélectionné

- 1 Touchez .
- 2 Touchez le nom ou le numéro de téléphone.



Réception d'un appel

- 1 Touchez  pour répondre à un appel téléphonique ou  pour rejeter un appel entrant.



Pour mettre fin à l'appel

- 1 Pendant une conversation, touchez .

Connexion/Installation

Cette section est destinée à l'installateur professionnel.

Pour des raisons de sécurité, confiez le câblage et le montage à des professionnels. Consultez le revendeur audio pour automobile.

Avant l'installation

Avant d'installer cet appareil, veuillez prendre les mesures de précaution suivantes.

▲AVERTISSEMENTS

- Si vous branchez le câble d'allumage (rouge) et le câble de la batterie (jaune) au châssis de la voiture (masse), il peut y avoir un court-circuit entraînant, à son tour, un incendie. Il faut toujours brancher ces câbles à la source d'alimentation fonctionnant via le boîtier de fusibles.
- Ne débranchez pas le fusible du câble d'allumage (rouge) ni du câble de la batterie (jaune). L'alimentation électrique doit être connectée aux câbles via le fusible.

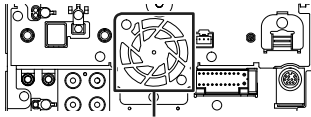
▲ATTENTION

- Installez cet appareil dans la console du véhicule. Ne touchez pas les éléments métalliques de cet appareil pendant et juste après l'utilisation de l'appareil. Les éléments métalliques tels que le dissipateur thermique et le coffret sont très chauds.

REMARQUE

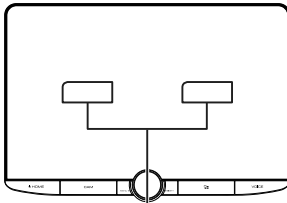
- Le montage et le câblage de ce produit requièrent expérience et savoir-faire. Pour des questions de sécurité, les travaux de montage et de câblage doivent être effectués par des professionnels.
- N'installez pas l'unité si elle devient un obstacle à la performance du conducteur.
- Ajustez la position du panneau de manière à ce qu'il ne gêne pas le conducteur.
- Veillez à brancher l'appareil à une alimentation électrique négative de 12 Vcc avec mise à la terre.
- N'installez pas l'appareil dans un endroit directement exposé aux rayons du soleil, à une chaleur excessive ou à l'humidité. Évitez également les endroits trop poussiéreux ou susceptibles d'être éclaboussés par de l'eau.
- N'utilisez pas vos propres vis. N'utilisez que les vis fournies. L'utilisation de vis non appropriées risque d'endommager l'appareil.

- Si l'appareil n'est pas sous tension (« There is an error in the speaker wiring. Please check the connections. » (Il y a un problème avec le câblage du haut-parleur. Veuillez vérifier les branchements s'affiche), le câble du haut-parleur est peut-être en court-circuit ou est en contact avec le châssis du véhicule et la fonction de protection a peut-être été enclenchée. C'est pourquoi il faut vérifier le câble de l'enceinte.
- Si l'allumage de votre véhicule ne possède pas de position ACC, branchez les câbles d'allumage à une source d'alimentation que la clé de contact peut allumer ou éteindre. Si vous branchez le câble d'allumage à une source d'alimentation à tension constante comme les câbles de la batterie, il se peut que la batterie se décharge.
- Si la console a un couvercle, il est possible que le couvercle ne puisse pas se fermer, même lorsque l'appareil est installé correctement.
- Si le fusible saute, vérifiez d'abord que les câbles ne se touchent pas afin d'éviter tout court-circuit, puis remplacez l'ancien fusible par un nouveau fusible de même puissance.
- Isolez les câbles non connectés avec un ruban vinyl, ou tout autre matériau similaire. Pour éviter tout court-circuit, ne retirez pas les capuchons placés aux extrémités des câbles non connectés ou des bornes.
- Branchez correctement les câbles de l'enceinte aux bornes correspondantes. L'appareil peut subir des dommages et ne plus fonctionner si vous partagez les fils ⊖ ou les mettez à la masse avec une partie métallique du véhicule.
- Si seulement deux enceintes sont branchées au système, branchez les connecteurs soit aux bornes de sortie avant soit aux bornes de sortie arrière (ne pas mélanger les bornes de sortie avant et arrière). Par exemple, si vous connectez le connecteur ⊕ de l'enceinte gauche à une borne de sortie avant, ne connectez pas le connecteur ⊖ à une borne de sortie arrière.
- Une fois l'appareil installé, vérifiez que les feux de freinage, les clignotants et les essuie-glace, etc. du véhicule fonctionnent correctement.
- L'angle de montage de l'appareil doit être inférieur ou égal à 30°.
- Cet appareil est équipé d'un ventilateur destiné à réduire la température interne. Ne montez pas l'appareil dans un endroit où les orifices du ventilateur seraient obstrués. L'obstruction de ces orifices empêcherait le refroidissement de la température interne du ventilateur, provoquant alors un dysfonctionnement.



Ventilateur

- N'exercez pas de pression excessive sur la surface du panneau lors de l'installation de l'appareil dans le véhicule. Cela risque de rayer la surface, de l'endommager ou d'entraîner une défaillance.
- Il se peut que la réception soit mauvaise si des objets métalliques se trouvent à proximité de l'antenne Bluetooth.



Unité d'antenne Bluetooth/Wi-Fi

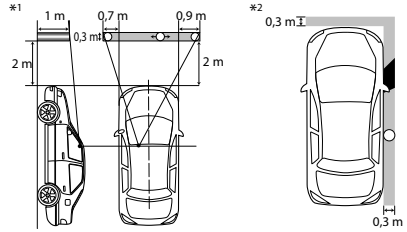
■ Procédure d'installation

- 1) Pour éviter les courts-circuits, retirez la clé de contact, puis débranchez la borne \ominus de la batterie.
- 2) Retirez les pièces du véhicule pour l'installation de cet appareil et la connexion des câbles à la borne.
- 3) Veillez à effectuer correctement les connexions des câbles d'entrée et de sortie pour chaque appareil.
- 4) Déterminez la hauteur de l'unité d'affichage et la position du curseur. Voir **Distance entre l'unité d'affichage et l'unité principale (p.34)**.
- 5) Prenez le connecteur B sur le faisceau de fils, puis branchez-le au connecteur de l'enceinte dans votre véhicule.
- 6) Prenez le connecteur A sur le faisceau de fils, puis branchez-le à la prise d'alimentation externe de votre véhicule.
- 7) Branchez le connecteur du faisceau de fils sur l'appareil.
- 8) Installez l'unité principale sur le véhicule.
- 9) Réinstallez les pièces du véhicule.
- 10) Installez l'unité d'affichage.
- 11) Reconnectez la borne \ominus de la batterie.
- 12) Procédez au réglage initial.
Voir **CONFIGURATION initiale (p.6)** dans le mode d'emploi.

● Champs de vision avant et latéral

- Pour déterminer les champs de vision avant et latéral du conducteur dans des conditions

normales, placez un bâton (directement visible depuis l'avant ou visible à travers le rétroviseur de la voiture), comme indiqué sur le schéma.



○ : Pôle (hauteur : 1 m, diamètre : 0,3 m)

■ : Champ de vision à partir depuis la position du volant


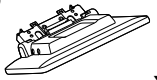




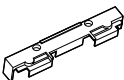


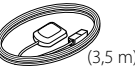

■ : Zone exemptée (la taille de pôle est soumise à la réglementation)

- Pour les véhicules avec conduite à droite, les normes sont inversées.

*1 Le bâton doit être visible depuis la position du conducteur comme champ de vision directe vers l'avant.

*2 Le bâton doit être visible directement ou indirectement dans le rétroviseur, etc. depuis la position du conducteur.

■ Accessoires fournis pour l'installation

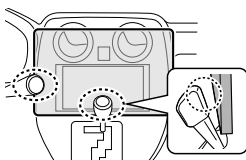
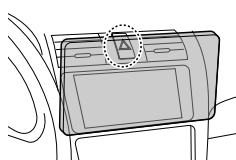
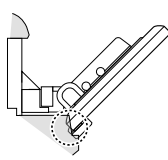
①  x1	⑧  x1
②  x1	⑨  x2
③ (3 m)  x1	⑩ Gauche/ Droite  x1
④  x1	⑪  (M5 x 8 mm) x6
⑤  (Ø3 x 6 mm) (Noir) x2	
⑥  (3,5 m) x1	
⑦  x1	

Installation de l'appareil

■ Confirmez la position d'installation de l'unité d'affichage

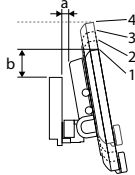
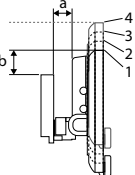
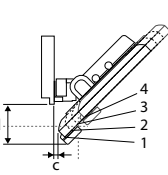
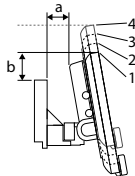
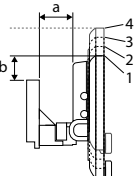
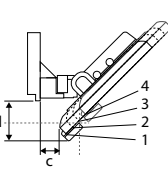


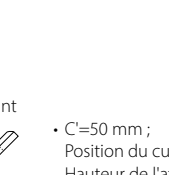
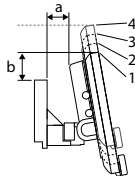
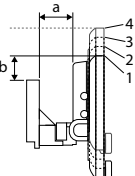
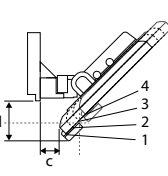


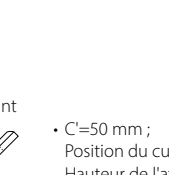
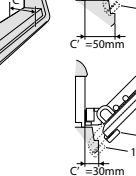
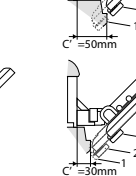
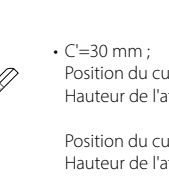
● Les véhicules ne peuvent pas être installés

Une installation est possible si l'on peut éviter ce qui suit en réglant la position du curseur et la hauteur de l'affichage.

Les opérations du levier sont perturbées telles que le levier de changement de vitesse, le levier d'essuie-glace, le levier de clignotant lors de l'installation de l'unité.	Un interrupteur de détresse est caché sur le siège conducteur.	L'unité d'affichage heurte un panneau sur le véhicule.
		

● Distance entre l'unité d'affichage et l'unité principale

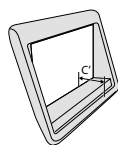
Réglez la position du curseur et la hauteur d'affichage de manière à ne pas perturber le mouvement de l'affichage.

Position du curseur	Angle de l'affichage				Hauteur de l'affichage				
	-10°	0°	45°		1	2	3	4	
Position arrière				-10°	10				
				a	38,1	50,9	63,8	76,5	
				b	26,7				
				0°	a	26,7			
				b	34,7	47,7	60,7	73,7	
				c	5,7	14,4	24,1	33,4	
			45°	d	55,4	46,3	37,1	27,8	
Position avant				-10°	30,1				
				a	38,1	50,9	63,8	76,5	
				b	46,7				
				0°	a	46,7			
				b	34,7	47,7	60,7	73,7	
				c	25,7	34,9	44,1	53,3	
			45°	d	55,4	46,3	37,1	27,8	

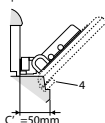
Appareil : mm

Exemples

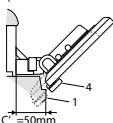
Panneau d'instruments
sur le véhicule



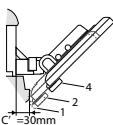
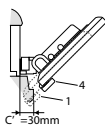
Curseur en position arrière



Curseur en position avant



- C'=50 mm ;
Position du curseur : Position avant
Hauteur de l'affichage : Définissez uniquement « 4 »

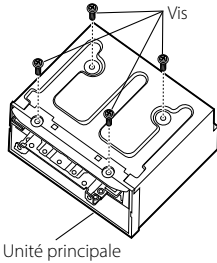


- C'=30 mm ;
Position du curseur : Position arrière
Hauteur de l'affichage : Définissez uniquement « 4 »

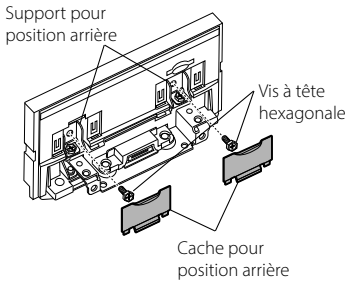
Position du curseur : Position avant
Hauteur de l'affichage : Réglez «2»~«4»

Positionnement du curseur vers l'avant

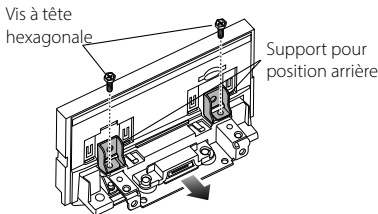
1 Retirez les quatre vis du bas de l'unité principale.



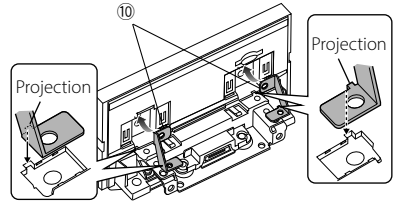
2 Retirez les deux vis en position arrière, puis retirez les deux vis à tête hexagonale du support pour la position arrière.



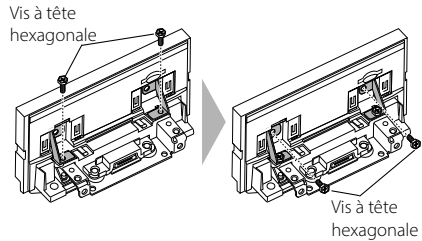
3 Tirez le bloc à coulisse vers l'avant et retirez les deux vis à tête hexagonale pour retirer le support pour la position arrière.



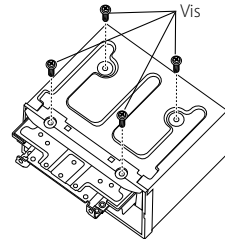
4 Installez le support pour la position avant (accessoire 10) pour chaque côté de manière à ce que ses saillies soient alignées avec les fentes situées sur l'unité principale.



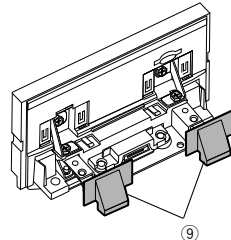
5 Fixez le support pour la position avant du bloc à coulisse à l'aide des deux vis à tête hexagonale. Poussez le bloc coulissant jusqu'à ce qu'il s'arrête, puis fixez le support pour la position en avant de l'unité principale à l'aide des deux vis à tête hexagonale.



6 Réinstallez les quatre vis au bas de l'unité principale.

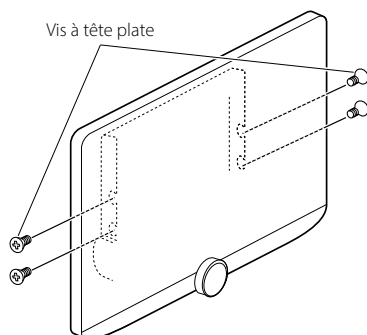


7 Installez le capot pour la position avant (accessoire 9) à deux emplacements, comme indiqué sur le schéma.

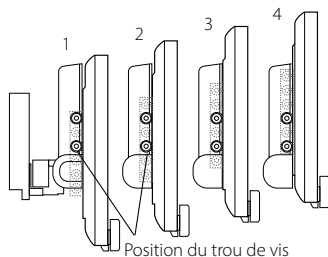


■ Réglage de la hauteur de l'affichage

- 1 Retirez les quatre vis à tête plate de chaque côté.



- 2 Réglez la hauteur de l'affichage en fonction de la position du trou de vis. La valeur par défaut est « 1 ».



- 3 Réinstallez les quatre vis à tête plate sur les deux côtés et fixez l'écran.

REMARQUE

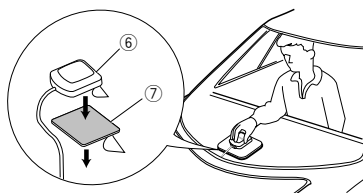
- Fixez correctement avec les vis à tête plate. Après l'installation de l'unité d'affichage (accessoire ⑧) sur l'unité principale, inclinez l'écran vers l'avant jusqu'à ce qu'il s'arrête et assurez-vous que l'unité d'affichage (accessoire ⑧) n'entre pas en contact avec des pièces du véhicule. Si l'unité d'affichage entre en contact avec les pièces du véhicule, ajustez de nouveau la hauteur de l'affichage.

■ Antenne GPS

L'antenne GPS est installée à l'intérieur du véhicule. Elle doit être installée dans une position aussi horizontale que possible pour permettre une réception aisée des signaux satellite GPS.

Montage de l'antenne GPS à l'intérieur du véhicule :

- 1) Nettoyez votre tableau de bord ou autre surface de montage.
- 2) Retirez le séparateur de la plaque métallique (accessoire ⑦).
- 3) Appuyez fermement la plaque métallique (accessoire ⑦) contre le tableau de bord ou une autre surface de montage. Vous pouvez courber la plaque de métal (accessoire ⑦) pour l'adapter à une surface incurvée, si nécessaire.
- 4) Retirez le séparateur de l'antenne GPS (accessoire ⑥), et fixez l'antenne sur la plaque métallique (accessoire ⑦).

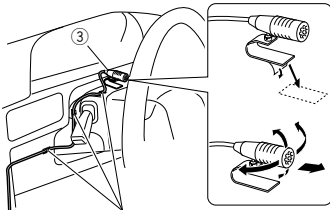


REMARQUE

- Utilisez l'antenne GPS fournie. Utiliser une antenne GPS autre que celle fournie peut entraîner une baisse de la précision de positionnement.
- Selon le type de véhicule, il se peut que la réception des signaux satellite GPS ne soit pas possible avec une installation intérieure.
- Veuillez installer l'antenne GPS à distance des antennes utilisées pour les radios CB ou les télévisions par satellite.
- L'antenne GPS doit être installée à au moins 30 cm (12 pouces) du smartphone/téléphone portable ou de toute autre antenne de transmission. Ces types de communication peuvent interférer avec les signaux du satellite GPS.
- Le fait de peindre l'antenne GPS avec une peinture (métallique) peut entraîner une baisse de performance.

Microphone

- 1) Vérifiez la position d'installation du microphone (accessoire ③).
- 2) Nettoyez la surface d'installation.
- 3) Retirez le séparateur du microphone (accessoire ③) et collez le microphone à l'emplacement indiqué ci-dessous.
- 4) Branchez le câble du microphone sur l'appareil en le fixant à divers endroits à l'aide de ruban adhésif ou de toute autre méthode appropriée.
- 5) Réglez l'orientation du microphone (accessoire ③) en direction du conducteur.



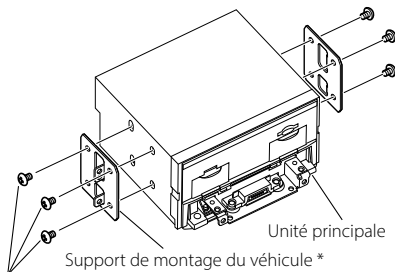
Fixez un câble avec du ruban spécialement prévu à cet effet.

Installation de l'unité principale

REMARQUE

- Déterminez la position du curseur avant l'installation de l'unité principale. (p.35) La position du curseur ne peut pas être modifiée après l'avoir installée sur le véhicule.
- Vérifiez que l'appareil est correctement en place. Si l'appareil n'est pas stable, cela peut occasionner un dysfonctionnement (le son peut par exemple sauter).

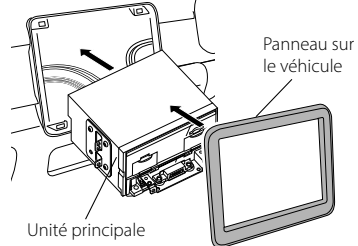
- 1 Retirez les pièces qui gênent l'installation comme par exemple un panneau sur le véhicule.
- 2 Installez le support de montage du véhicule sur l'unité principale.



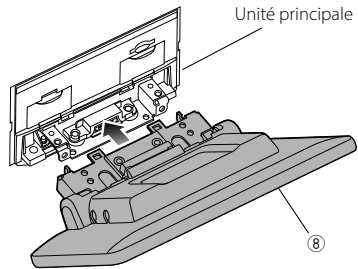
Vis* (M5 x 8 mm)

* Vendu séparément

- 3 Branchez les fils du faisceau de câblage et l'équipement périphérique.
- 4 Installez l'unité principale sur le véhicule.
- 5 Réinstallez les pièces retirées comme par exemple, un panneau sur le véhicule.



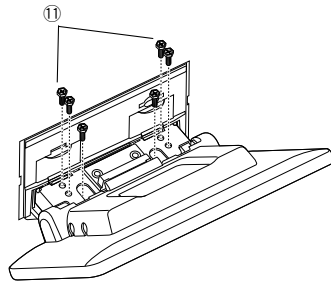
- 6 Installez l'unité d'affichage (accessoire ⑧) sur l'unité principale.



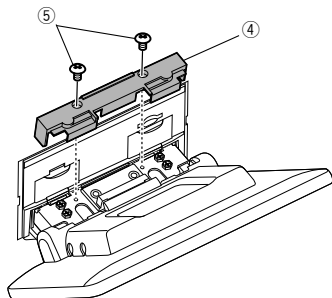
REMARQUE

- Si l'unité d'affichage heurte un panneau d'affichage sur le véhicule, ajustez la hauteur de l'affichage en vous référant à **Réglage de la hauteur de l'affichage (p.36)**.

- 7 Fixez l'unité d'affichage à l'aide des six vis à tête hexagonale (accessoire ⑪).



8 Montez le capot de protection (accessoire ④) sur la pièce d'accouplement, puis fixez-le à l'aide des deux vis à tête de liaison (accessoire ⑤).



REMARQUE

- Si le couvercle de protection (accessoire ④) n'est pas installé, cette unité ne s'allume pas. Même si l'unité est mise sous tension, l'alimentation peut être mise hors tension à mi-course. Veuillez à fixer le cache de protection (accessoire ④).

9 Relevez l'affichage manuellement.

Guide de fonctionnement du connecteur du faisceau de fils (Accessoire ①)

Broche	Couleur et fonction	
A-4	Jaune	Batterie
A-5	Bleu/Blanc [2]	Réglage de puissance
A-6	Orange/Blanc	Dimmer/ Gradateur
A-7	Rouge	Allumage (ACC)
A-8	Noir	Branchement à la terre (masse)
B-1/B-2	Violet (+)/Violet/Noir (-)	Arrière droit
B-3/B-4	Gris (+)/Gris/Noir (-)	Avant droit
B-5/B-6	Blanc (+)/Blanc/Noir (-)	Avant gauche
B-7/B-8	Vert (+)/Vert/Noir (-)	Arrière gauche

*Impédance d'enceinte 4-8 Ω

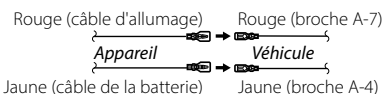
[1] [2]: Bleu/Blanc est fourni en 2 fils, [1] et [2]. Sortie totale du fil bleu/blanc ([1] + [2]) : 12 V \approx 350 mA

⚠AVERTISSEMENT relatif au branchement du connecteur ISO

La disposition des broches du connecteur ISO dépend du type de véhicule que vous conduisez. Vérifiez que les branchements sont corrects afin d'éviter tout risque d'endommagement de l'appareil. La connexion par défaut du faisceau de fils est décrite à la position (1) ci-dessous. Si les broches du connecteur ISO sont placées comme l'indique la position (2), effectuez le branchement selon le schéma. Veuillez rebrancher le câble comme indiqué à la position (2) ci-dessous pour installer l'appareil dans les véhicules Volkswagen, etc.

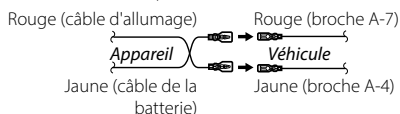
(1): Paramètre par défaut

Le rouge (broche A-7) du connecteur ISO du véhicule est relié à l'allumage, et le jaune (broche A-4) est relié à l'alimentation électrique constante.

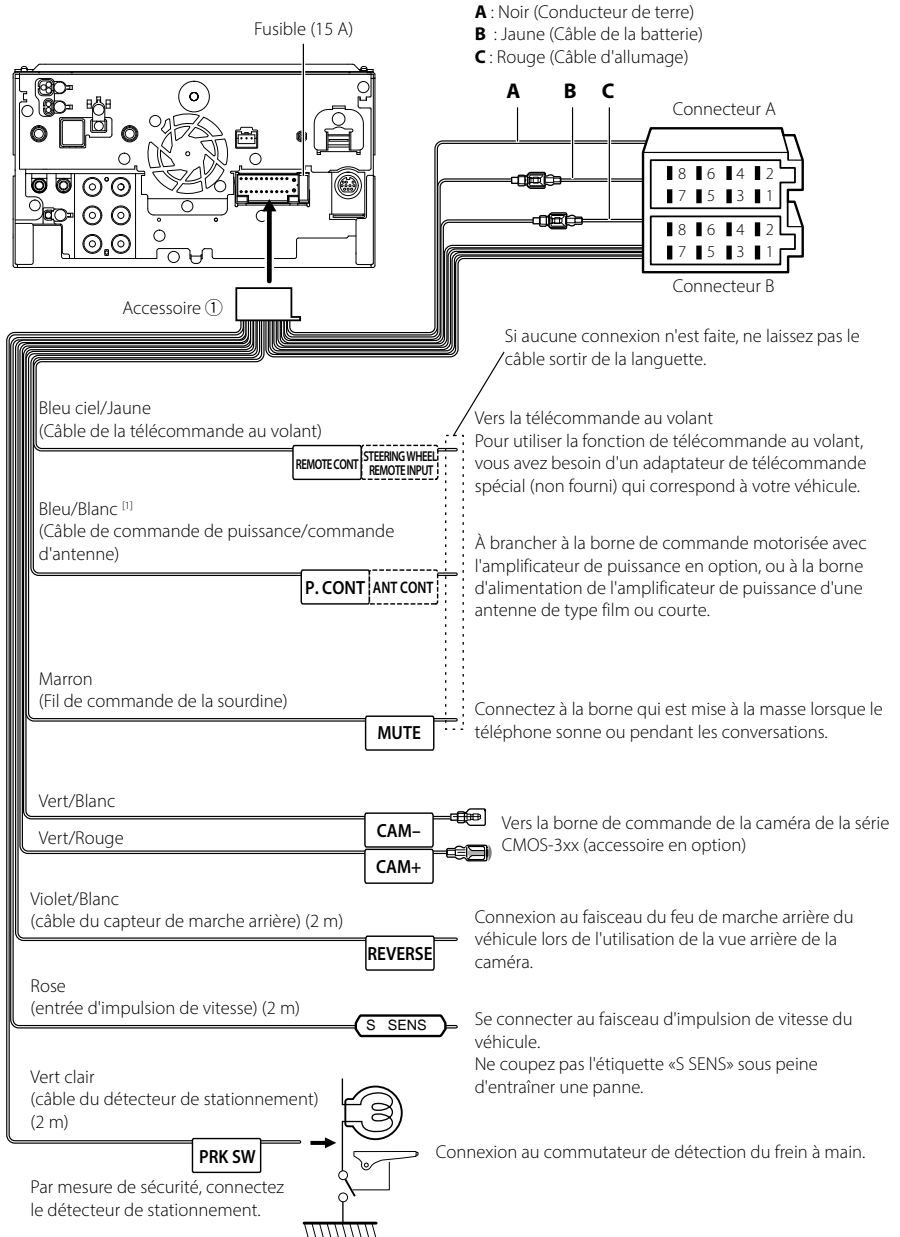


(2)

Le rouge (broche A-7) du connecteur ISO du véhicule est relié à l'allumage, et le jaune (broche A-4) est relié à l'alimentation électrique constante.

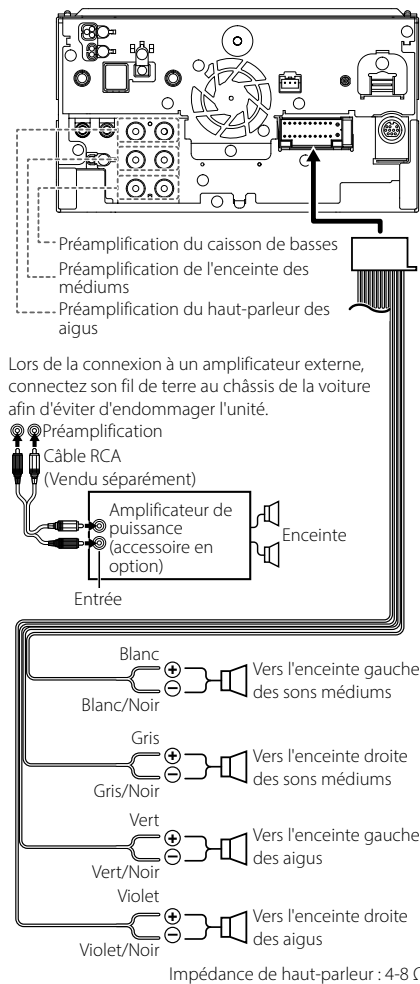


Connexion des câbles sur les contacts électriques

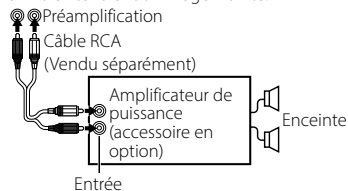


[1] [2]: Bleu/Blanc est fourni en 2 fils, [1] et [2]. Sortie totale du fil bleu/blanc ([1] + [2]) : 12 V $\bar{\bar{=}}$ 350 mA

■ Configuration du système d'enceinte à 3 voies



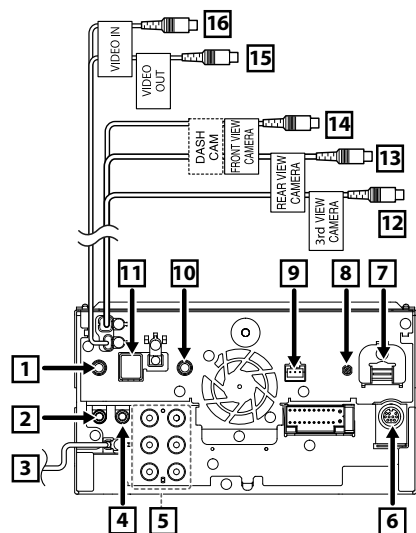
Lors de la connexion à un amplificateur externe, connectez son fil de terre au châssis de la voiture afin d'éviter d'endommager l'unité.

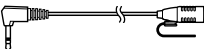
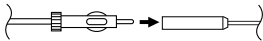
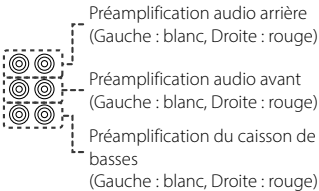


REMARQUE

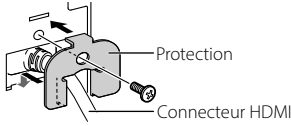
- Pour la configuration du système d'enceintes, voir **Configuration du système d'enceinte à 3 voies (p.57)** dans le mode d'emploi.
- Pour la configuration des enceintes et la configuration croisée, voir **Configuration de l'enceinte/du répartiteur (p.58)** dans le mode d'emploi.
- Pour connecter les fils des enceintes aux bornes autres que les bornes des enceintes ou les bornes de préamplification, voir **Connexion du système et des composants externes (p.40)** et **Connexion des câbles sur les contacts électriques (p.39)**.

■ Connexion du système et des composants externes

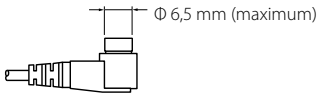


1	Connexion au faisceau des commandes au volant du véhicule. Contactez votre revendeur KENWOOD pour en savoir plus.
2	Accessoire ③ : Microphone Bluetooth 
3	Entrée de l'antenne FM/AM 
4	Sortie audio et AV (mini jack ø3,5)
5	Lors de la connexion à un amplificateur externe, connectez son fil de terre au châssis de la voiture afin d'éviter d'endommager l'unité. 
6	I/F externe Tension d'alimentation maximum : 12 V \approx 500 mA

- 7** Entrée HDMI
Utilisez le câble KCA-HD100 (accessoire en option).
Retirez la protection lorsque vous branchez le câble au connecteur HDMI. Après avoir branché le câble, remettez la protection en place.



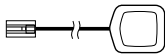
- 8** Antenne radio numérique CX-DAB1 (accessoire en option)
⚠
L'utilisation de CX-DAB1 (accessoire en option) comme antenne de radiodiffusion numérique est recommandée.
Lors de l'utilisation d'une antenne de radiodiffusion numérique disponible dans le commerce, le diamètre du connecteur SMB doit être de 6,5 mm maximum.



- 9** Interface de la caméra du tableau de bord
Connectez une caméra de tableau de bord DRV-N520 (accessoire en option). (p.43)

- 10** Sortie audio AV (mini jack ø3,5)

- 11** Accessoire ⑥ : Antenne GPS
Utilisez l'antenne GPS fournie. Utiliser une antenne GPS autre que celle fournie peut entraîner une baisse de la précision de positionnement.



- 12** Entrée de la caméra 3ème vue (jaune).
Reportez-vous à la section **Pour configurer les paramètres d'attribution de la caméra (p.43)**.

- 13** Entrée de la caméra vue arrière (jaune) *1

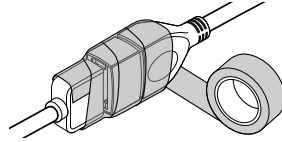
- 14** Entrée de caméra de vue avant/caméra de tableau de bord (jaune).*2. Voir **Pour configurer les paramètres d'attribution de la caméra (p.43)**.

- 15** Sortie vidéo (jaune)

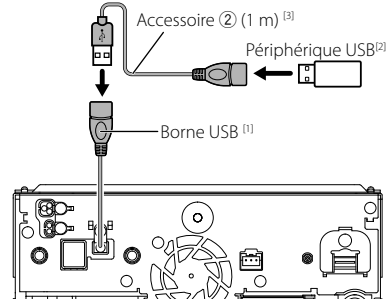
- 16** Entrée vidéo (jaune)

■ Fixation d'un câble prolongateur USB

Fixez le câble prolongateur USB avec une bande isolante ou similaire afin que ses connecteurs ne soient pas débranchés.



■ Connecter un périphérique USB



[1] Tension d'alimentation maximum pour USB : DC 5 V \pm 1,5 A

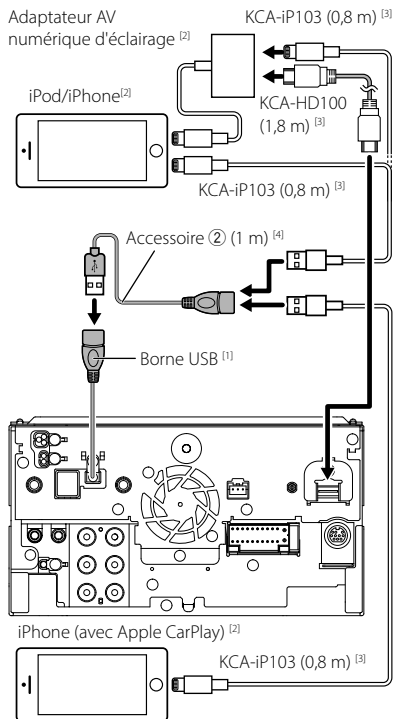
[2] Vendue séparément

[3] Voir **Fixation d'un câble prolongateur USB (p.41)**.

*1 Connectez une caméra HD à la borne d'entrée de la caméra de recul pour utiliser la vidéo HD.

*2 Connectez une caméra HD à la borne d'entrée de caméra de vue avant/caméra du tableau de bord pour utiliser la vidéo HD.

Branchement d'un iPod/iPhone



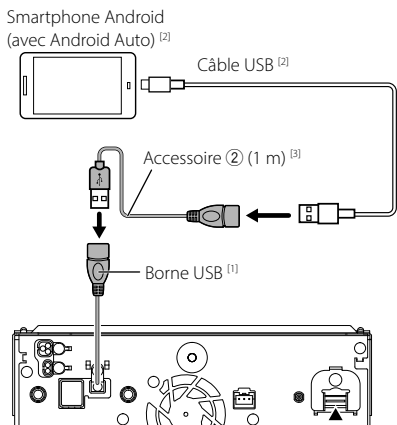
^[1] Tension d'alimentation maximum pour USB : DC 5 V --- 1,5 A

^[2] Vendue séparément

^[3] Accessoire en option

^[4] Voir **Fixation d'un câble prolongateur USB (p.41)**.

Connecter un smartphone Android

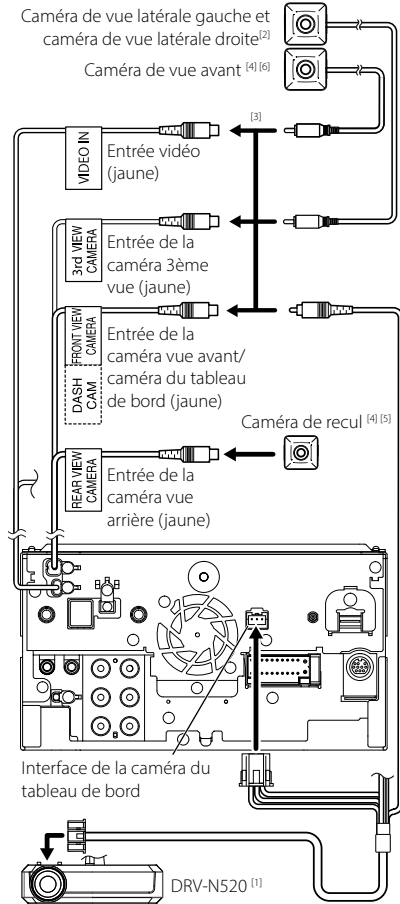


^[1] Tension d'alimentation maximum pour USB : DC 5 V --- 1,5 A

^[2] Vendue séparément

^[3] Voir **Fixation d'un câble prolongateur USB (p.41)**.

■ Connexion de la caméra



[1] Accessoire en option

[2] Vendue séparément

[3] Jusqu'à 3 caméras sur le tableau de bord, la caméra de vue avant, la caméra de vue latérale gauche et la caméra de vue latérale droite peuvent être connectées. **(p.43)**

[4] Caméra de la série CMOS-3xx (accessoire en option) ou en vente dans le commerce.

[5] Pour une vidéo HD, une caméra HD est également utilisée comme caméra de recul.

[6] Pour une vidéo HD, une caméra HD est également utilisée comme caméra de vue avant.

■ Pour configurer les paramètres d'attribution de la caméra

- 1 Appuyez sur le bouton **HOME** /
- 2 Touchez
- 3 Touchez **SETUP**.
➤ L'écran de menu de configuration s'affiche.
- 4 Touchez **Camera**.
➤ Le menu des paramètres de la caméra s'affiche.
- 5 Touchez **Camera Assignment Settings**.
- 6 Sélectionnez l'élément à configurer.

■ REAR VIEW CAMERA

Réglez l'attribution de la caméra à partir de la vue de la caméra connectée à la borne d'entrée de la caméra de recul.

■ FRONT VIEW CAMERA / DASH CAM

Réglez l'attribution de la caméra à partir de la vue de la caméra connectée à la borne d'entrée de la caméra de vue avant/caméra de tableau de bord.

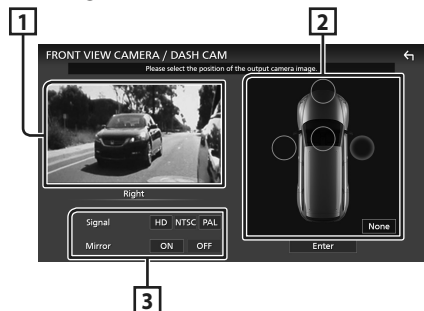
■ 3rd VIEW CAMERA

Réglez l'attribution de la caméra à partir de la vue de la caméra connectée à la borne d'entrée de la caméra de recul 3ème vue.

■ VIDEO IN

Réglez l'attribution de la caméra à partir de la vue de la caméra connectée à la borne d'entrée vidéo.

- 7 Sélectionnez la vue de la caméra à configurer.



1 **Picture from view camera**

2 **Camera position**

3 **Picture quality settings**

- 8 Touchez **Enter**.

Inhalt

Vor Verwendung	44
Über die Schnellstartanleitung.....	44
Vorsichtsmaßnahmen.....	44
Hinweise zu diesem Handbuch.....	45
Sensordisplay-Bedienungen.....	45
Hinweis für Spezifikationen.....	45
Grundfunktionen	46
Tastenfunktionen auf dem Frontpanel.....	46
Gerät einschalten.....	46
Kalender-/Uhreinstellungen.....	46
Startbildschirm.....	47
Popup-Menü.....	47
Radio.....	48
Digitales Radio.....	48
USB/iPod/iPhone.....	49
Bluetooth-Steuerung	50
Registrieren des Bluetooth-Geräts.....	50
Verwendung der Freisprecheinrichtung.....	51
Verbindung/Installation	52
Vor der Installation.....	52
Installation des Geräts.....	54

Vor Verwendung

Über die Schnellstartanleitung

- Diese Schnellstartanleitung beschreibt die Grundfunktionen dieses Geräts. Informationen zu Funktionen, die in diesem Handbuch nicht beschrieben sind, finden Sie in der Bedienungsanleitung auf der folgenden Website: <https://manual.kenwood.com/edition/im406/>



- Die Informationen in dieser Bedienungsanleitung unterliegen ständigen Änderungen aufgrund von Aktualisierungen technischer Daten usw. Bitte laden Sie zum Nachschlagen die neueste Ausgabe der Bedienungsanleitung herunter.

Vorsichtsmaßnahmen

▲ WARNHINWEISE

■ Folgende Vorsichtsmaßnahmen beachten, um Brand oder Verletzungen zu vermeiden:

- Niemals Metallgegenstände (z. B. Münzen oder metallische Werkzeuge) ins Gerät stecken oder darin belassen, um Kurzschlüsse zu verhindern.
- Verfolgen Sie die Anzeige des Geräts während der Fahrt nicht für längere Zeit.
- Falls bei der Installation Probleme auftreten, nehmen Sie Kontakt mit Ihrem KENWOOD-Händler auf.

■ Vorsichtsmaßnahmen bei der Verwendung dieses Gerätes

- Falls Sie optionale Zusatzgeräte kaufen, kontaktieren Sie Ihren KENWOOD-Händler, um sicherzustellen, dass sie mit dem Gerät kompatibel sind und in Ihrer Region verwendet werden können.
- Sie können eine Sprache zur Darstellung von Menüs, Audiodatei-Tags usw. wählen. Siehe **Systemeinstellung (S.56)** in der Bedienungsanleitung.
- Das Radio Data System funktioniert nicht in Regionen ohne Sender, die diese Dienste unterstützen.

■ Schutz des Monitors

- Um den Monitor vor Beschädigungen zu schützen, sollten Sie ihn nicht mit einem Kugelschreiber oder einem ähnlichen spitzen Gegenstand bedienen.

■ Gerät reinigen

- Ist die Frontplatte des Geräts verschmutzt, reinigen Sie sie mit einem weichen trockenen Tuch, z. B. mit einem Silikon Tuch. Ist die Frontplatte stark verschmutzt, entfernen Sie den Schmutz mit einem mit neutralem Reinigungsmittel angefeuchteten Tuch und wischen Sie sie anschließend wieder mit einem weichen trockenen Tuch ab.

HINWEIS

- Kein Reinigungsmittel direkt auf das Gerät sprühen. Dies könnte die mechanischen Bauteile beschädigen. Die Frontplatte nicht mit einem harten Tuch oder Lösungsmitteln wie z. B. Verdünnern oder Alkohol reinigen. Dies könnte die Oberfläche zerkratzen oder die Aufdrucke löschen.

GPS-Signal erfassen

Wenn Sie dieses Gerät erstmals einschalten, müssen Sie warten, bis das System die ersten Satellitensignale erfasst hat. Dieser Vorgang kann manchmal mehrere Minuten dauern. Stellen Sie zur schnellstmöglichen Signalerfassung sicher, dass Ihr Fahrzeug im Freien und in einem offenen Bereich steht, also abseits von großen Gebäuden und hohen Bäumen.

Nachdem das System erstmals ein Satellitensignal empfangen hat, wird es dies in Zukunft schneller tun.

Über GLONASS

Dieses Gerät verwendet das Global Navigation Satellite System (GLONASS) zusätzlich zum GPS. Die Kombination von GPS und GLONASS kann die Positionsgenauigkeit im Vergleich zur alleinigen Verwendung von GPS verfeinern.

Vorsichtshinweis für Smartphone-Besitzer

Wenn Sie mehrere Anwendungen auf Ihrem Smartphone laufen lassen, während der Bildschirm mit diesem Gerät geteilt wird, wird der Mikroprozessor des Smartphones stark beansprucht, wodurch die Kommunikation und die Leistungsfähigkeit beeinträchtigt werden können.

Um die besten Ergebnisse bei der Kopplung mit Ihrem KENWOOD-Receiver zu erzielen, schließen Sie bitte alle nicht benötigten Anwendungen.

Hinweise zu diesem Handbuch

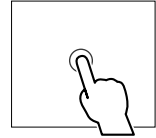
- Die in diesem Handbuch gezeigten Bildschirme und Bedienelemente sind Beispiele, die zur Verdeutlichung der Funktionen dienen sollen. Aus diesem Grund können sie sich von den tatsächlichen Bildschirmen oder Bedienelementen unterscheiden oder es werden andere Anzeigemuster verwendet.
- Anzeigesprache:** Englisch wird zur Erklärung verwendet. Sie können eine Anzeigesprache im **SETUP**-Menü wählen. Siehe **Systemeinstellung (S.56)** in der Bedienungsanleitung.

Sensordisplay-Bedienungen

Um Bedienungen auf dem Bildschirm auszuführen, können Sie berühren, berührt halten, wischen oder streichen, um einen Punkt zu wählen, einen Einstellungsmenübildschirm anzuzeigen oder Seiten zu ändern.

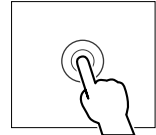
● Berühren

Berühren Sie den Bildschirm sanft, um einen Gegenstand auf dem Bildschirm zu wählen.



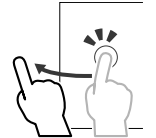
● Berührt halten

Berühren Sie den Bildschirm und lassen Sie Ihren Finger an der gleichen Stelle, bis die Anzeige wechselt oder eine Meldung angezeigt wird.



● Wischen

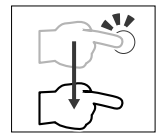
Ziehen Sie Ihren Fingers nach links oder rechts auf dem Bildschirm entlang, um die Seite zu wechseln.



Sie können durch eine Listenansicht scrollen, indem Sie auf dem Bildschirm nach oben/unten wischen.

● Streichen

Ziehen Sie Ihren Fingers nach oben oder unten auf dem Bildschirm entlang, um das Schirmbild weiterzublätern.



Hinweis für Spezifikationen

■ Bluetoothbereich

Frequenz

: 2,402 – 2,480 GHz

RF-Ausgangsleistung (EIRP)

: +4 dBm (MAX), Leistungsklasse2

■ Allgem.

Betriebsspannung

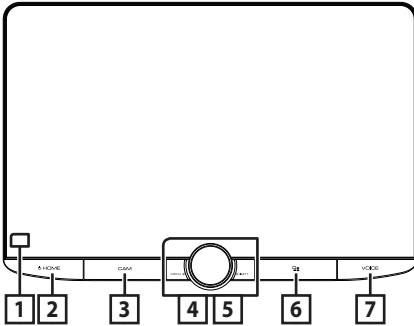
: 12 V DC-Autobatterie

Lautsprecherimpedanz

: 4 – 8 Ω

Grundfunktionen

Tastenfunktionen auf dem Frontpanel



HINWEIS

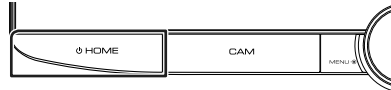
Die in dieser Anleitung gezeigten Bedienelemente sind Beispiele, die zur Verdeutlichung der Funktionen dienen sollen. Aus diesem Grund kann es zu Abweichungen vom vorliegenden Panel kommen.

Name	Handlung
1 Fernbedienung	• Empfängt das Fernbedienungssignal.
2 HOME/⏪	• Zeigt den HOME-Bildschirm an (S.47). • Drücken Sie die Taste länger als 1 Sekunde, um die Stromversorgung auszuschalten. • Ist die Stromversorgung ausgeschaltet, wird sie hierdurch eingeschaltet.
3 CAM	• Schaltet die Kameraanzeige ein/aus.
4 MENU/ATT	• Zeigt den Pop-up-Menü-Bildschirm an. • Gedrückthalten für 1 Sekunde schaltet die Lautstärkeabschwächung ein/aus.
5 Lautstärkeknope	• Regelt die Lautstärke.
6	• Zeigt den APP-Bildschirm an (Apple CarPlay/Android Auto/Wireless Mirroring). • Wechselt zum Steuerungsbildschirm der aktuellen Quelle, wenn der APP-Bildschirm angezeigt wird.

Name	Handlung
7 VOICE	• Schaltet die Spracherkennungsfunktion ein/aus. • Wenn weder Apple CarPlay, Android Auto, noch ein Bluetooth Telefon mit Freisprecheinrichtung angeschlossen sind, zeigt gedrückt halten den Bluetooth Pairing-Wartedialog an.

Gerät einschalten

1 Drücken Sie die **HOME / ⏪**-Taste.



➤ Das Gerät ist eingeschaltet.

● **Zum Ausschalten des Geräts:**

1 Drücken Sie die **HOME / ⏪**-Taste 1 Sekunde lang.

Kalender-/Uhreinstellungen

1 Drücken Sie die **HOME / ⏪**-Taste.

2 Berühren Sie

3 Drücken Sie **SETUP**.

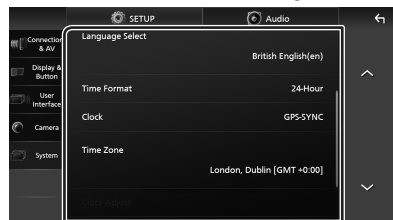
➤ Der **SETUP**-Menübildschirm wird angezeigt.

4 Berühren Sie **System**.

➤ Das Systemeinstellungsmenü wird angezeigt.

5 Jedes Element wie folgt einstellen.

Blättern Sie die Seite nach unten, um die nicht sichtbaren Punkte anzuzeigen.



■ Time Format

Wählen Sie das Format für die Zeitanzeige aus.

12-Hour / 24-Hour (Standard)

■ Clock

GPS-SYNC (Werkseinstellung):

Synchronisiert die Uhrzeit mit den GPS-Daten.

Manual: Stellen Sie die Uhr manuell ein.

Time Zone

Wählen Sie die Zeitzone.

Clock Adjust

Wenn Sie **Manual** für Uhr auswählen, stellen Sie das Datum und die Uhrzeit manuell ein. (S.47)

HINWEIS

- Bitte stellen Sie Datum und Uhrzeit ein. Wenn sie nicht eingestellt sind, funktionieren einige Funktionen möglicherweise nicht.

Stellt das Datum und die Uhrzeit manuell ein

- 1 **Berühren Sie Clock Adjust im Systemeinstellungsmenü.**
- 2 **Stellen Sie das Datum und dann die Uhrzeit ein.**

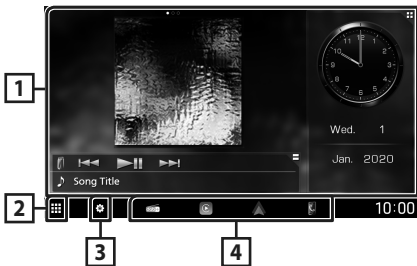


Berühren Sie Set.

Startbildschirm

Die meisten Funktionen lassen sich über den HOME-Bildschirm ausführen.

1 Drücken Sie die HOME / ⏏-Taste.



- 1 • Widget
- 2 • Zeigt den Quellenauswahlbildschirm an.
- 3 • Zeigt den Einstellungs-Menü-Bildschirm an.
- 4 • Verknüpfungssymbole für die Wiedergabequelle

Beschreibung des Quellenauswahlbildschirms

Sie können die Symbole aller Wiedergabequellen und Optionen auf dem Quellenauswahlbildschirm anzeigen.

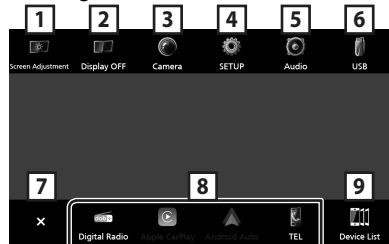
- 1 **Drücken Sie die HOME / ⏏-Taste.**
➤ Der HOME-Bildschirm erscheint.
- 2 **Berühren Sie [Grid Icon].**
In diesem Bildschirm können Sie die folgenden Quellen und Funktionen auswählen.



- 1 • Ändert die Wiedergabequellen.
- 2 • Kehrt zum vorherigen Bildschirm zurück.
- 3 • Zeigt den Einstellungs-Menü-Bildschirm an.

Pop-up-Menü

- 1 **Drücken Sie die MENU / ATT-Taste.**
➤ Das Pop-up-Menü erscheint.
- 2 **Tippen Sie, um das Pop-up-Menü anzuzeigen.**



Der Inhalt des Menüs ist wie folgt.

- 1 • Zeigt den Bildschirm-Einstellungsbildschirm an.
- 2 • Schaltet die Anzeige aus.
- 3 • Zeigt den Bildschirm der Kameraansicht an.

Grundfunktionen

4	• Zeigt den Einstellungs-Menü-Bildschirm an.
5	• Zeigt den Audio-Bildschirm an.
6	• Zeigt den Steuerungsbildschirm der aktuellen Quelle an. Die Funktion des Symbols ändert sich je nach Quelle. Dieses Symbol steht für USB-Quelle.
7	• Schließen Sie das Popup-Menü.
8	• Abkürzungs-Quellensymbole:
9	• Zeigt die Android Auto-Geräteliste an. Dieses Symbol wird nur angezeigt, wenn Android Auto verbunden ist und zwei oder mehr Geräte als Quelle für Android Auto verwendet werden können.

Radio

Um die Radio-Quelle auszuwählen, berühren Sie das Symbol **Radio** auf dem Quellenauswahlbildschirm. (S.47)



1 Bedientasten

- **◀▶▶▶▶**: Schaltet auf einen Sender. Die Methode zum Umschalten der Frequenzen kann geändert werden (siehe **4** Suchmodus).

2 Funktionspanel

Berühren Sie die rechte Seite des Bildschirms, um das Funktionspanel anzuzeigen. Tippen Sie erneut, um das Panel zu schließen.

- **TI** (nur FM): Wählt den Verkehrsnachrichtenmodus aus.
- **SETUP** (nur FM): Zeigt den Radio-SETUP-Bildschirm an.
- **AME**: Stellt Sender automatisch vorab ein.
- **PTY** (nur FM): Sucht nach einem Programm nach der Programmsparte.
- **MONO** (nur FM): Wählt den Mono-Empfangsmodus aus.
- **LO.S** (nur FM): Schaltet die lokale Suchfunktion ein oder aus.

3 Bandtasten

Schaltet die Frequenzbänder um (zwischen FM und AM).

4 Suchmodus

Berühren Sie, um den Suchmodus in der folgenden Reihenfolge umzuschalten: **AUTO1**, **AUTO2**, **MANUAL**.

- **AUTO1**: Stellt automatisch einen Sender mit gutem Empfang ein.
- **AUTO2**: Stellt einen gespeicherten Sender nach dem anderen ein.
- **MANUAL**: Schaltet manuell zur nächsten Frequenz um.

5 Informationsanzeige

- Zeigt die Informationen zum aktuellen Sender an: Frequenz
Voreinstellung#: Voreinstellungsnummer

6 Presetliste

- Wenn Sie **◀** / **▶** berühren, können Sie die Anzeigegröße ändern.
- Ruft den gespeicherten Sender auf.
- Wenn Sie die Taste 2 Sekunden lang gedrückt halten, wird der gerade empfangene Sender gespeichert.

Automatische Programmspeicherung

Sie können Sender mit gutem Empfang automatisch im Senderspeicher speichern.

- 1 Drücken Sie auf die gewünschte Frequenzbandtaste (FM / AM).**
- 2 Berühren Sie ▶ auf der linken Seite des Bildschirms. Drücken Sie AME.**
- 3 Drücken Sie auf Yes.**
➢ Automatische Programmspeicherung startet.

Digitales Radio

Drücken Sie zum Anhören der Digitalradioquelle das Symbol **Digital Radio** auf dem Quellenauswahlbildschirm. (S.47)



1 Bedientasten

- **Q**: Zeigt den Servicelisten-Bildschirm an.

- **◀▶▶▶** : Stellt ein Ensemble, einen Service und Komponente ein. Das Umschalten der Suchmethode kann geändert werden. (siehe **3** Suchmodus).

2 Funktionspanel

Berühren Sie die rechte Seite des Bildschirms, um das Funktionspanel anzuzeigen. Tippen Sie erneut, um das Panel zu schließen.

- **TI** : Wählt den Verkehrsnachrichtenmodus aus.
- **SETUP** : Zeigt den Digital-Radio-SETUP-Bildschirm an.
- **PTY** : Sucht nach einem Programm nach der Programmparte.
- **DLS** : Zeigt den Bildschirm Textinformationen an.

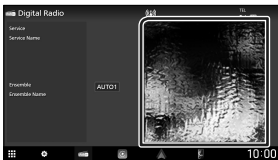
3 Suchmodus

Berühren Sie, um durch die Suchmodi in der folgenden Reihenfolge umzuschalten: **AUTO1**, **AUTO2**, **MANUAL**.

- **AUTO1** : Stellt automatisch ein Ensemble mit gutem Empfang ein.
- **AUTO2** : Stellt ein gespeichertes Ensemble nach dem anderen ein.
- **MANUAL** : Schaltet manuell zum nächsten Ensemble um.

4 Informationsanzeige

- Zeigt die Informationen zum aktuellen Sender an: Servicename
- Drücken, um zwischen dem Auswahl- und dem Informationsbildschirm zu wechseln.



5 Presetliste

- Wenn Sie **↔** / **↔** berühren, können Sie die Anzeigegröße ändern.
- Ruft die gespeicherten Services auf.
- Wenn Sie die Taste 2 Sekunden lang gedrückt halten, wird der gerade empfangene Service gespeichert.

USB/iPod/iPhone

Anschließen eines USB-Geräts/iPods/iPhones

- 1 Verbinden Sie das USB-Gerät mit dem USB-Kabel. (S.61)
- 2 Schließen Sie den iPod/das iPhone mit dem KCA-iP103 an. (S.62)

- 2 Drücken Sie die **HOME** / **⏻**-Taste.
- 3 Berühren Sie **⏏**.
- 4 Drücken Sie **USB** oder **iPod**. (S.47)

Trennen Sie die Verbindung des USB-Geräts/iPods/iPhones

- 1 Drücken Sie die **HOME** / **⏻**-Taste.
- 2 Berühren Sie eine andere Quelle als **USB**.
- 3 Trennen Sie das USB-Gerät/iPod/iPhone ab.

Grundfunktion



1 Bedientasten

- **🔍** : Durchsucht Titel/Datei.
- **◀▶▶▶** : Antippen, um vorige/nächste Datei zu suchen.
- **▶||** : Wiedergabe oder Pause.

2 Inhaltsliste

- Berühren Sie die linke Seite des Bildschirms, um die Inhaltsliste anzuzeigen. Tippen Sie erneut, um die Liste zu schließen.
- Zeigt die Wiedergabeliste an. Wenn Sie einen Titel/Dateinamen in der Liste antippen, beginnt die Wiedergabe.

3 Titelinformation

- Zeigt die Informationen zur aktuellen Datei an.

4 Funktionspanel (nur USB)

Berühren Sie die rechte Seite des Bildschirms, um das Funktionspanel anzuzeigen. Tippen Sie erneut, um das Panel zu schließen.

- **[-]** **[+]** : Sucht nach dem vorherigen/nächsten Ordner.

Videobildschirm (nur USB)



Bluetooth-Steuerung

5 Dateisuchbereich (nur Videodatei)

Berühren Sie, um nach der nächsten/vorherigen Datei zu suchen.

6 Tastenanzeigebereich (nur Videodatei)

Berühren Sie, um den Steuerungsbildschirm anzuzeigen.

Suchfunktionen

Sie können Musik- oder Videodateien durch die folgende Bedienung suchen.

1 Berühren Sie .

2 Berühren Sie .

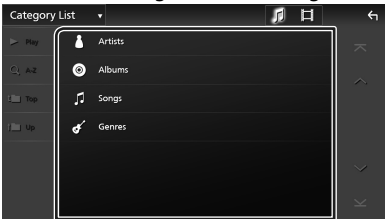


3 Wählen Sie einen Listentyp.



4 Wählen Sie, ob Sie Audiodateien oder Videodateien suchen möchten . (Nur USB)

5 Berühren Sie die gewünschte Kategorie.



► Die Ihrer Auswahl entsprechende Liste erscheint.

6 Berühren Sie, um das gewünschte Element der Liste auszuwählen. Wiederholen Sie diesen Schritt, bis Sie die gewünschte Datei gefunden haben.

Bluetooth-Steuerung

Die Bluetooth-Funktion ermöglicht Ihnen, diverse Funktionen, wie zum Beispiel das Hören einer Audiodatei und das Tätigen/Annehmen eines Anrufs, auszuführen.

Registrieren des Bluetooth-Geräts

Der Bluetooth-Audioplayer oder das Smartphone/Mobiltelefon müssen in diesem Gerät registriert werden, bevor Sie die Bluetooth-Funktion verwenden können.

Sie können bis zu 10 Bluetooth-Geräte registrieren.

HINWEIS

- Bis zu 10 Bluetooth-Geräte können registriert werden. Wenn Sie versuchen, ein 11. Bluetooth-Gerät zu registrieren, wird das zuerst angeschlossene Bluetooth-Gerät gelöscht, damit das 11. Gerät registriert werden kann.

1 Drücken Sie die **HOME** / -Taste.

2 Berühren Sie .

3 Drücken Sie **SETUP**.

► Der SETUP-Menübildschirm wird angezeigt.

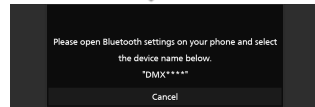
4 Berühren Sie **Connections & AV**.

5 Berühren Sie **Device List**.

6 Wählen Sie einen Gerätetyp aus.

7 Berühren Sie .

► Der Bluetooth-Pairing-Wartedialogfeld erscheint.

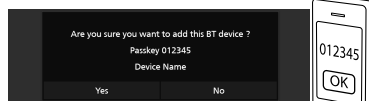


8 Suchen Sie von Ihrem Smartphone/Mobiltelefon aus nach dem Gerät („DMX9720XDS“).

Führen Sie die Schritte 8 bis 10 innerhalb von 30 Sekunden aus.

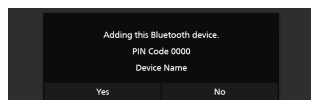
9 Bedienen Sie Ihr Smartphone/Mobiltelefon entsprechend den angezeigten Mitteilungen.

● Bestätigen Sie die Anfrage auf dem Smartphone/Mobiltelefon.



● Geben Sie den PIN-Code in Ihr Smartphone/Handy ein.

Die Werkseinstellung für den PIN-Code ist „0000“.




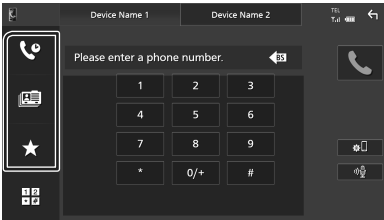
10 Drücken Sie auf **Yes**.





Verwendung der Freisprecheinrichtung

Sie können die Telefonfunktionen nutzen, indem Sie ein Bluetooth-Telefon an dieses Gerät anschließen.



■ Einen Anruf durchführen

- 1 Drücken Sie die **HOME**/⏻-Taste.
- 2 Berühren Sie .
- 3 Berühren Sie **TEL**.
 - Der Freisprechbildschirm wird angezeigt.
- 4 Wählverfahren auswählen.



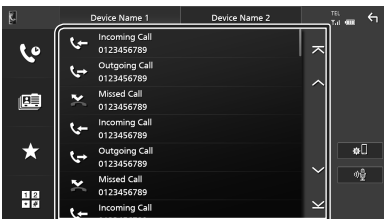
- : Anruf mittels Anruflisten
- : Anruf mittels Telefonbuch
- : Anruf mittels gespeicherter Nummer
- : Anruf durch Eingabe einer Telefonnummer

Anruf durch Eingabe einer Telefonnummer



- 1 Berühren Sie .
- 2 Geben Sie eine Telefonnummer mittels Zifferntasten ein.
- 3 Berühren Sie .

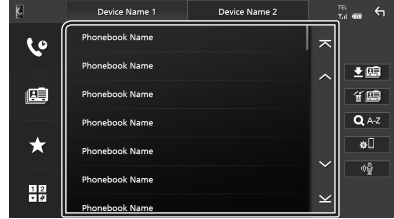
Anruf tätigen mittels Anruflisten

- 1 Berühren Sie .
- 2 Wählen Sie die Telefonnummer von der Liste.



Anruf tätigen mittels Telefonbuch

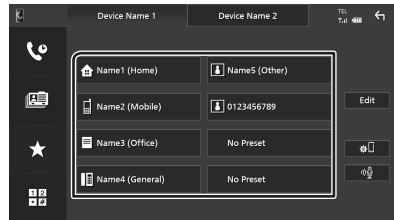
- 1 Berühren Sie .
- 2 Berühren Sie  **A-Z**.
- 3 Wählen Sie den Anfangsbuchstaben.
 - Namen ohne den ausgewählten Buchstaben werden nicht angezeigt.
- 4 Wählen Sie die Person, die Sie anrufen möchten, aus der Liste aus.



- 5 Wählen Sie die Telefonnummer von der Liste.

Anruf tätigen mittels Speichernummer

- 1 Berühren Sie .
- 2 Berühren Sie den Namen oder die Telefonnummer.



■ Einen Anruf empfangen

- 1 Berühren Sie  zur Annahme eines Telefonanrufes oder , um einen eingehenden Anruf abzuweisen.



Auflegen

- 1 Drücken Sie während des Gesprächs .

Verbindung/Installation

Dieser Abschnitt richtet sich an den professionellen Installateur.

Überlassen Sie die Verkabelung und Montage aus Sicherheitsgründen Fachleuten. Wenden Sie sich an den Autoradio-Händler.

Vor der Installation

Vor der Installation dieses Geräts beachten Sie bitte die folgenden Vorsichtsmaßnahmen.

▲WARNHINWEISE

- Verbinden Sie Zünddraht (rot) und Batteriekabel (gelb) mit dem Fahrzeugchassis (der Erde), so könnte dies zu einem Kurzschluss führen, der ein Feuer entzündet. Schließen Sie diese Drähte nur an eine Stromquelle an, die durch den Sicherungskasten geführt wird.
- Zündkabel (rot) und Batteriekabel (gelb) dürfen nie ohne Einbindung einer Sicherung installiert werden. Zwischen Stromversorgung und Kabel muss immer eine Sicherung installiert sein.

▲ACHTUNG

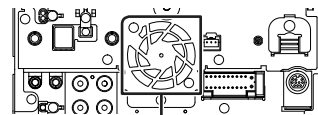
- Montieren Sie dieses Gerät in der Konsole Ihres Fahrzeugs. Berühren Sie die Metallteile des Geräts während oder kurz nach der Benutzung nicht. Metallteile wie der Kühlkörper und das Gehäuse werden heiß.

HINWEIS

- Die Montage sowie die Verkabelung dieses Geräts macht besondere Fähigkeiten und Erfahrung erforderlich. Überlassen Sie die Montage- und Verkabelungsarbeiten aus Sicherheitsgründen ausgewiesenen Fachpersonal.
- Installieren Sie das Gerät nicht, wenn es die Fahrerleistung behindert.
- Stellen Sie die Panelposition so ein, dass es die Fahrerleistung nicht behindert.
- Betreiben Sie das Gerät ausschließlich mit 12-Volt-Gleichstrom und negativer Masseverbindung.
- Setzen Sie weder die Frontblende noch deren Etui direktem Sonnenlicht, extremer Wärme oder Luftfeuchtigkeit aus. Schützen Sie diese Teile außerdem vor Staub und Spritzwasser.
- Verwenden Sie für den Einbau keine eigenen Schrauben. Verwenden Sie ausschließlich die mitgelieferten Schrauben. Falsche Schrauben können das Gerät beschädigen.
- Wenn die Stromversorgung nicht eingeschaltet ist (Anzeige: „There is an error in the speaker wiring. Please check the connections.“ / Es liegt ein Fehler in der Lautsprecherverkabelung vor. Bitte überprüfen

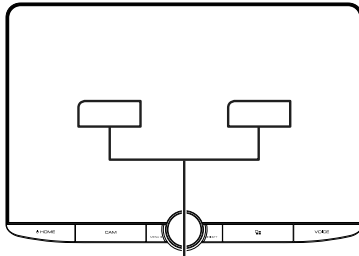
Sie die Verbindungen.), liegt möglicherweise ein Kurzschluss im Lautsprecherkabel vor oder das Kabel hat das Fahrzeugchassis berührt und die Schutzfunktion wurde deswegen aktiviert. Daher sollte das Lautsprecherkabel überprüft werden.

- Wenn die Zündung Ihres Fahrzeuges keine ACC-Stellung hat, dann schließen Sie die Zündkabel an eine Stromquelle an, die mit dem Zündschlüssel ein- und ausgeschaltet werden kann. Wenn Sie das Zündkabel an eine Stromquelle mit konstanter Stromversorgung anschließen, wie z. B. Batteriekabel, kann dies die Batterie entleeren.
- Wenn die Konsole über eine Klappe verfügt, kann die Klappe nicht geschlossen werden, selbst wenn das Gerät ordnungsgemäß installiert ist.
- Wenn die Sicherung durchbrennt, überprüfen Sie zuerst, dass die Drähte sich nicht berühren und einen Kurzschluss verursachen. Ersetzen Sie dann die durchgebrannte Sicherung durch eine neue Sicherung mit den gleichen Nenngrößen.
- Isolieren Sie nicht angeschlossene Kabel mit Vinylband oder ähnlichem Material. Entfernen Sie nicht die Kappen von den Enden nicht angeschlossener Kabel und Anschlüsse, damit keine Kurzschlüsse entstehen.
- Schließen Sie beide Pole der Lautsprecher an den Lautsprecherausgängen am Gerät an. Das Gerät kann beschädigt werden oder den Dienst versagen, wenn Sie die \ominus -Leiter zusammenführen oder über Metallteile des Fahrzeugs erden.
- Sind nur zwei Lautsprecher an das System angeschlossen, nutzen Sie die Anschlüsse entweder an den beiden vorderen oder an den beiden hinteren Ausgangsklemmen (nicht 1x vorne und 1x hinten anschließen). Wenn Sie zum Beispiel den \oplus -Stecker des linken Lautsprechers an eine Ausgangsbuchse für vorne anschließen, darf der \ominus -Stecker nicht an eine Ausgangsbuchse für hinten angeschlossen werden.
- Überprüfen Sie nach der Montage des Geräts, ob die Bremslichter, Blinker, Scheibenwischer usw. ordnungsgemäß funktionieren.
- Das Gerät so anbringen, dass der Montagewinkel 30° oder weniger beträgt.
- Dieses Gerät hat ein Kühlgebläse zur Senkung der Innentemperatur. Montieren Sie das Gerät nie an einem Ort, wo das Kühlgebläse des Geräts blockiert ist. Eine Blockierung der Öffnungen wird das Abkühlen der Innentemperatur verhindern, was zu Fehlfunktionen führen wird.

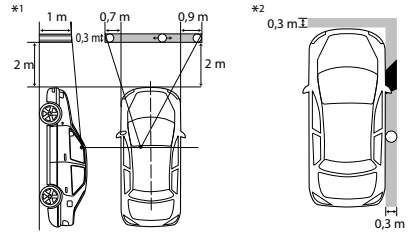


Kühlgebläse

- Bei der Installation des Gerätes im Fahrzeug dürfen Sie nicht zu sehr auf die Paneloberfläche drücken. Ansonsten könnte es zu Kratzern, Beschädigungen oder Fehlfunktionen kommen.
- Die Empfangsqualität wird u. U. durch metallische Gegenstände in der Nähe der Bluetooth-Antenne beeinträchtigt.



Bluetooth/Wi-Fi-Antenne



○ : Stange (Höhe: 1 m, Durchmesser: 0,3 m)

■ : Sichtfeld aus der Fahrerposition

■ : Ausgenommener Bereich (die Größe der Stange unterliegt behördlichen Vorschriften)

- Für Fahrzeuge mit Rechtslenkung sind die Vorschriften seitenverkehrt.
- *1 Die Stange muss von der Position des Fahrers aus im direkten Sichtfeld nach vorn sichtbar sein.
- *2 Die Stange muss von der Position des Fahrers aus direkt oder über den Rückspiegel usw. indirekt sichtbar sein.


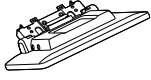




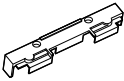


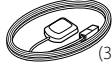

■ Installationsvorgang

- 1) Um einem Kurzschluss vorzubeugen, ziehen Sie bitte den Schlüssel aus dem Zündschloss und trennen Sie die \ominus -Klemme der Batterie ab.
- 2) Bauen Sie die Fahrzeugteile für die Installation und den Anschluss des Gerätes aus.
- 3) Schließen Sie die Eingangs- und Ausgangskabel jedes Gerätes richtig an.
- 4) Bestimmen Sie die Höhe der Anzeigeeinheit und die Position des Schiebers. Siehe **Abstand zwischen der Anzeigeeinheit und der Haupteinheit (S.54)**.
- 5) Schließen Sie den Steckverbinder B des Kabelbaums am Lautsprecheranschluss Ihres Fahrzeugs an.
- 6) Schließen Sie den Steckverbinder A des Kabelbaums am externen Stromanschluss Ihres Fahrzeugs an.
- 7) Schließen Sie den Kabelbaumanschluss am Gerät an.
- 8) Bauen Sie die Haupteinheit in das Fahrzeug ein.
- 9) Bauen Sie die Fahrzeugteile wieder ein.
- 10) Bauen Sie die Anzeigeeinheit ein.
- 11) Schließen Sie die \ominus -Klemme der Batterie wieder an.
- 12) Grundeinstellungen durchführen. Siehe **Ersteinrichtung (S.6)** in der Bedienungsanleitung.

● Vorwärts- und seitliche Sichtfelder

- Um die Vorwärts- und seitlichen Sichtfelder des Fahrers unter normalen Bedingungen zu ermitteln, bringen Sie eine Stange (nach vorn direkt oder über den Rückspiegel sichtbar) wie gezeigt an.

■ Für die Installation mitgeliefertes Zubehör

①  x1	⑧  x1
②  x1	⑨  x2
③  x1	⑩  x1 Links/rechts
④  x1	⑪  x6 (M5 x 8 mm)
⑤  x2 (Ø3 x 6 mm) (Schwarz)	
⑥  x1 (3,5 m)	
⑦  x1	

Installation des Geräts

Überprüfung der Installationsposition der Anzeigeeinheit

Das Gerät kann nicht installiert werden

Die Installation kann über die Einstellung des Schiebers und der Anzeigehöhe ermöglicht werden, indem Folgendes vermieden wird.

Hebelfunktionen wie zum Beispiel Schalthebel, Wischerhebel und Blinkerhebel werden durch die Installation des Geräts gestört.	Der Warnblinkschalter ist vom Fahrersitz aus nicht mehr erreichbar.	Die Anzeigeeinheit stößt an einer Abdeckung des Fahrzeugs an.

Abstand zwischen der Anzeigeeinheit und der Haupteinheit

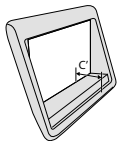
Stellen Sie die Position des Schiebers und die Anzeigehöhe so ein, dass die Bewegung der Anzeige nicht behindert wird.

Position des Schiebers	Anzeigewinkel				Anzeigehöhe					
	-10°	0°	45°		1	2	3	4		
Hintere Position				-10°	a	10				
				b	38,1	50,9	63,8	76,5		
					0°	a	26,7			
					b	34,7	47,7	60,7	73,7	
					45°	c	5,7	14,4	24,1	33,4
					d	55,4	46,3	37,1	27,8	
Vorwärtsposition				-10°	a	30,1				
				b	38,1	50,9	63,8	76,5		
					0°	a	46,7			
					b	34,7	47,7	60,7	73,7	
					45°	c	25,7	34,9	44,1	53,3
					d	55,4	46,3	37,1	27,8	

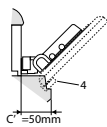
Gerät: mm

Beispiele

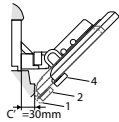
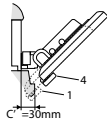
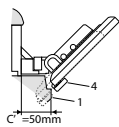
Clusterpanel am Fahrzeug



Schieber in der hinteren Position



Schieber in der vorderen Position



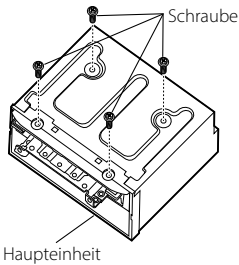
• C' = 50 mm;
Position des Schiebers: Vorwärtsposition
Anzeigehöhe: Nur „4“ einstellen

• C' = 30 mm;
Position des Schiebers: Hintere Position
Anzeigehöhe: Nur „4“ einstellen

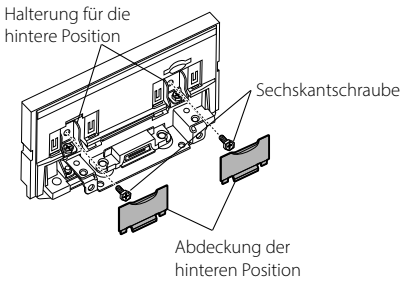
Position des Schiebers: Vorwärtsposition
Anzeigehöhe: „2“~„4“ einstellen

Positionierung des Schiebers in der vorderen Position

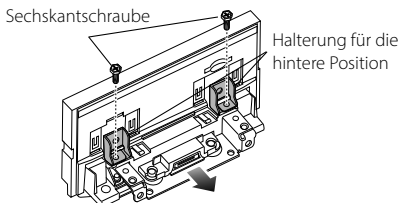
1 Entfernen Sie die vier Schrauben an der Unterseite der Haupteinheit.



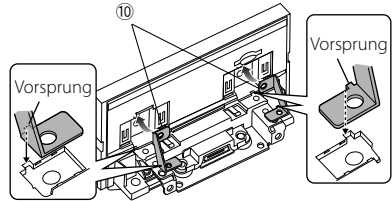
2 Nehmen Sie die beiden Abdeckungen der hinteren Position ab und entfernen Sie dann die beiden Sechskantschrauben von der Halterung für die hintere Position.



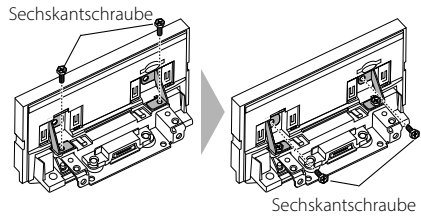
3 Ziehen Sie den Schieberblock nach vorn und entfernen Sie die beiden Sechskantschrauben, um die Halterung für die hintere Position abzunehmen.



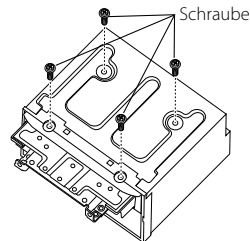
4 Installieren Sie die Halterung für die vordere Position (Zubehör 10) an jeder Seite, richten Sie dabei deren Vorsprünge an den Schlitzn der Haupteinheit aus.



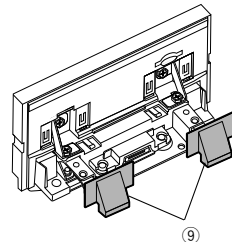
5 Befestigen Sie die Halterung für die vordere Position mit den beiden Sechskantschrauben am Schieberblock. Drücken Sie auf den Schieberblock, bis er anhält, und befestigen Sie dann die Halterung für die vordere Position mit den beiden Sechskantschrauben an der Haupteinheit.



6 Bringen Sie die vier Schrauben an der Unterseite der Haupteinheit wieder an.

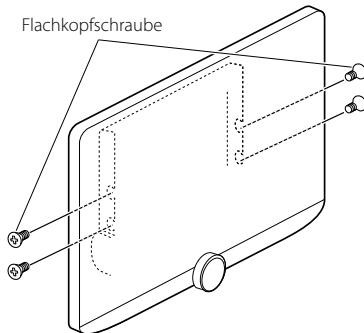


7 Installieren Sie die Abdeckung der vorderen Position (Zubehör 9) an den beiden abgebildeten Stellen.

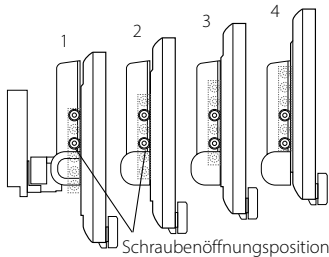


■ Einstellung der Anzegehöhe

- 1 Entfernen Sie die vier Flachkopfschrauben von beiden Seiten.



- 2 Stellen Sie die Anzegehöhe gemäß der Schraubenöffnungsposition ein. Werkseinstellung ist „1“.



- 3 Setzen Sie die vier Flachkopfschrauben wieder an beiden Seiten ein und befestigen Sie die Anzeige.

HINWEIS

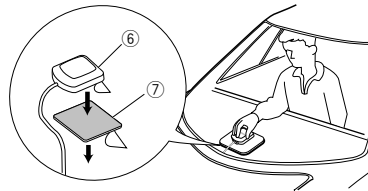
- Ziehen Sie die Flachkopfschrauben ordentlich fest. Neigen Sie nach der Installation der Anzeigeeinheit (Zubehör ⑧) an der Haupteinheit die Anzeige nach vorn, bis sie angehalten wird, und vergewissern Sie sich, dass die Anzeigeeinheit (Zubehör ⑧) nicht an Fahrzeugteilen anstößt. Wenn die Anzeigeeinheit an Fahrzeugteilen anstößt, stellen Sie die Anzegehöhe erneut ein.

■ GPS-Antenne

Die GPS-Antenne wird innerhalb des Fahrzeugs installiert. Es sollte möglichst horizontal eingebaut werden, um einen problemlosen Empfang der GPS-Satellitensignale zu ermöglichen.

Zur Montage der GPS-Antenne innerhalb Ihres Fahrzeugs:

- 1) Reinigen Sie das Armaturenbrett bzw. die alternative Montagefläche.
- 2) Entfernen Sie die Schutzfolie von der Metallplatte (Zubehör ⑦).
- 3) Drücken Sie die Metallplatte (Zubehör ⑦) fest auf das Armaturenbrett bzw. auf eine alternative Montagefläche. Die Metallplatte (Zubehör ⑦) ist biegsam und kann somit bei Bedarf an eine gewölbte Oberfläche angepasst werden.
- 4) Ziehen Sie die Schutzfolie von der GPS-Antenne (Zubehör ⑥) ab und kleben Sie die Antenne auf die Metallplatte (Zubehör ⑦).

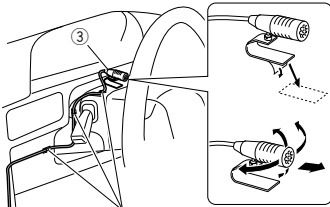


HINWEIS

- Verwenden Sie die beiliegende GPS-Antenne. Verwendung einer anderen als der beiliegenden GPS-Antenne kann zu einer Verschlechterung der Positionsgenauigkeit führen.
- Abhängig von der Art des Fahrzeugs ist u. U. der Empfang der GPS-Satellitensignale bei einem Inneneinbau nicht möglich.
- Bitte installieren Sie diese GPS-Antenne in einem Bereich, in dessen Nähe sich keine für CB-Funk oder Satellitenfernsehen verwendeten Antennen befinden.
- Die GPS-Antenne sollte mit mindestens 30 cm Abstand zu Smartphone-/Mobilfunkantennen oder anderen Sendeantennen installiert werden. GPS-Satellitensignale können durch derartige Kommunikationsmittel gestört werden.
- Ein Anstrich der GPS-Antenne mit (metallischer) Farbe kann zu einem Leistungsabfall führen.

Mikrofoneinheit

- 1) Überprüfen Sie die Einbauposition des Mikrofons (Zubehör ③).
- 2) Säubern Sie die Installationsfläche.
- 3) Entfernen Sie die Schutzfolie vom Mikrofon (Zubehör ③) und kleben Sie das Mikrofon an die unten gezeigte Stelle.
- 4) Verlegen Sie das Mikrofonkabel bis zum Gerät und befestigen Sie es an mehreren Punkten mit Klebeband oder Ähnlichem.
- 5) Richten Sie das Mikrofon (Zubehör ③) auf den Fahrer aus.



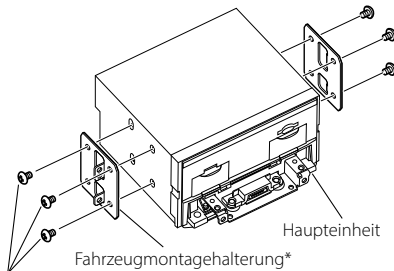
Befestigen Sie das Kabel mit handelsüblichem Klebeband.

Installation der Haupteinheit

HINWEIS

- Ermitteln Sie die Position des Schiebers vor der Installation der Haupteinheit. (S.55) Die Position des Schiebers kann nach der Installation in das Fahrzeug nicht mehr verstellt werden.
- Stellen Sie sicher, dass das Gerät sicher installiert ist. Wenn das Gerät instabil ist, kann es zu einer Fehlfunktion kommen (beispielsweise kann der Ton springen).

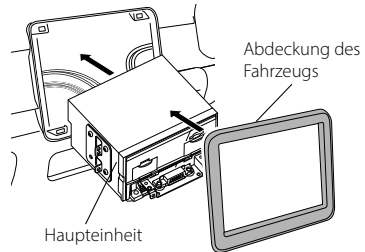
- 1 Entfernen Sie die Teile, die die Installation behindern, wie zum Beispiel eine Abdeckung des Fahrzeugs.
- 2 Installieren Sie die Fahrzeugmontagehalterung an der Haupteinheit.



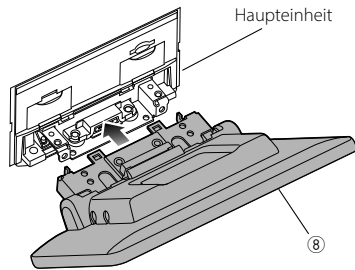
Schraube* (M5 x 8 mm)

* Separat erhältlich

- 3 Schließen Sie die Kabel des Kabelbaums und die Peripheriegeräte an.
- 4 Bauen Sie die Haupteinheit in das Fahrzeug ein.
- 5 Bauen Sie die entfernten Teile, wie zum Beispiel eine Abdeckung, wieder in das Fahrzeug ein.



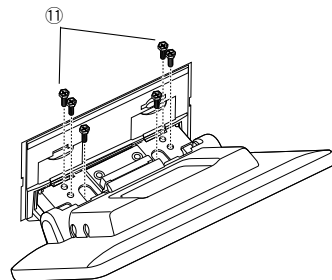
- 6 Installieren Sie die Anzegeeinheit (Zubehör ⑧) an der Haupteinheit.



HINWEIS

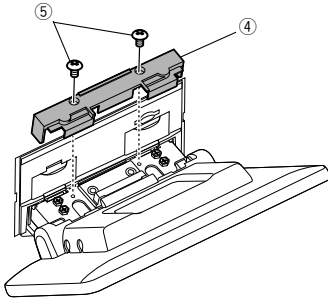
- Wenn die Anzegeeinheit an einer Abdeckung des Fahrzeugs anstößt, stellen Sie die Anzegehöhe ein, beziehen Sie sich dabei auf **Einstellung der Anzegehöhe (S.56)**.

- 7 Befestigen Sie die Anzegeeinheit mit sechs Sechskantschrauben (Zubehör ⑪).



Verbindung/Installation

- 8** Befestigen Sie die Schutzabdeckung (Zubehör ④) am Kupplungsstück und befestigen Sie sie dann mit zwei Kopfschrauben (Zubehör ⑤).



HINWEIS

- Wenn die Schutzabdeckung (Zubehör ④) nicht angebracht ist, kann dieses Gerät nicht eingeschaltet werden. Auch wenn das Gerät eingeschaltet wird, wird die Stromversorgung unterbrochen. Bringen Sie stets die Schutzabdeckung (Zubehör ④) an.

- 9** Richten Sie die Anzeige manuell auf.

Zuordnung/Funktion der Kabelbaumanschlüsse (Zubehör ①)

Stift	Farbe und Funktion	
A-4	Gelb	Batterie
A-5	Blau/Weiß [2]	Stromsteuerung
A-6	Orange/weiß	Dimmer
A-7	Rot	Zündung (ACC)
A-8	Black	Erdungsanschluss (Masse)
B-1/B-2	Lila (+)/Lila/Schwarz (-)	Hinten rechts
B-3/B-4	Grau (+)/Grau/Schwarz (-)	Vorne rechts
B-5/B-6	Weiß (+)/Weiß/Schwarz (-)	Vorne links
B-7/B-8	Grün (+)/Grün/Schwarz (-)	Hinten links

*Lautsprecherimpedanz: 4-8 Ω

[1] [2]: Blau/Weiß Kabel für zwei Kabel, [1] und [2].

Gesamtausgang blau/weißer Draht ([1] + [2]):

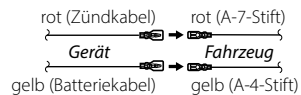
12 V \approx 350 mA

⚠ WARNUNG bei Verbindung des ISO-Anschlusses

Die Stiftbelegung der ISO-Anschlüsse ist vom Fahrzeugtyp abhängig. Stellen Sie sicher, dass Sie alles ordnungsgemäß anschließen, um Schäden am Gerät zu verhindern. Der standardmäßige Anschluss des Kabelbaums ist unten unter (1) beschrieben. Sind die ISO-Anschlussstifte wie unter (2) beschrieben belegt, schließen Sie die Kabel wie dargestellt an. Stellen Sie bitte sicher, dass das Kabel wie unter (2) unten beschrieben wieder angeschlossen wird, falls dieses Gerät in ein Fahrzeug der Marke Volkswagen eingebaut wird usw.

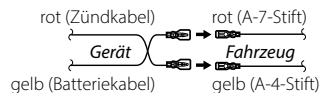
(1): Werkseinstellung

Der rote (A-7)-Stift des ISO-Anschlusses am Fahrzeug ist mit der Zündung verbunden, während der gelbe (A-4)-Stift mit der Konstantspannungsquelle verbunden ist.

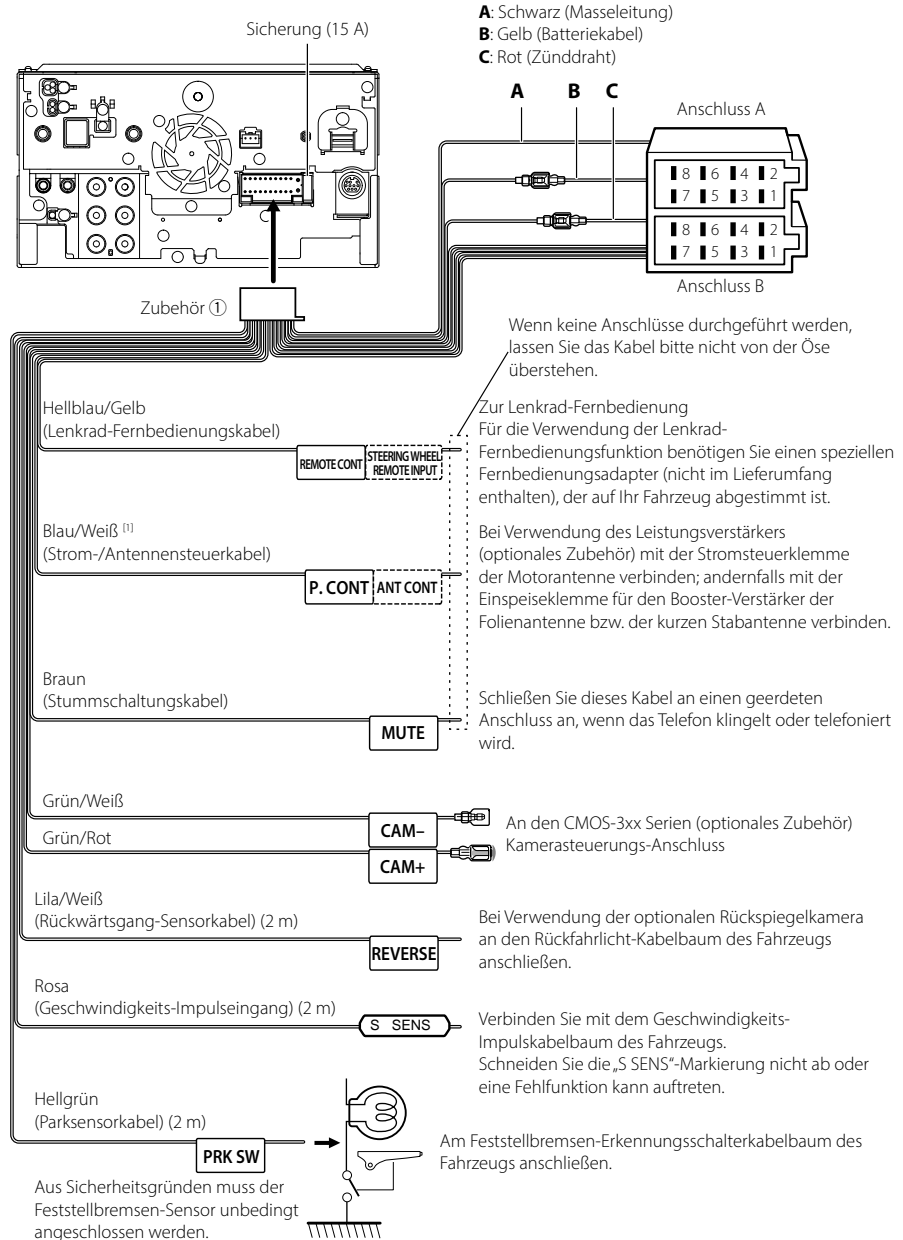


(2)

Der rote (A-7)-Stift des ISO-Anschlusses am Fahrzeug ist mit der Konstantspannungsquelle verbunden, während der gelbe (A-4) Stift mit der Zündung verbunden ist.

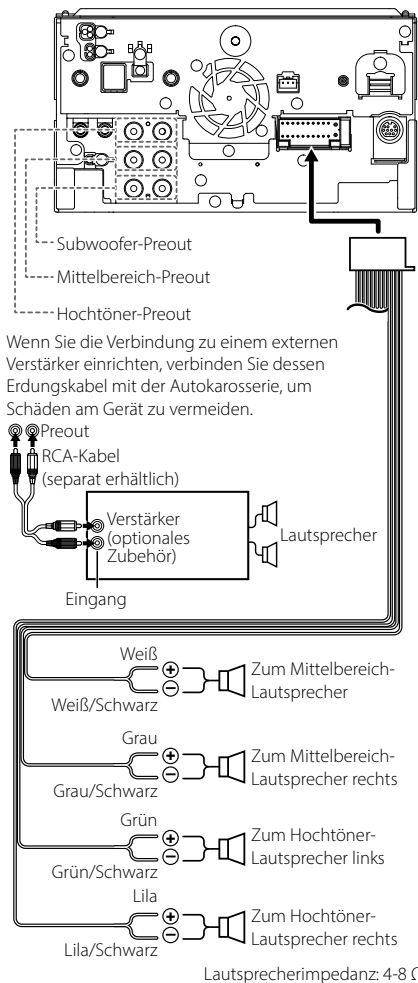


■ Anschließen der Kabel an die Anschlüsse



[1] [2]: Blau/Weiß Kabel für zwei Kabel, [1] und [2]. Blau/Weiß Kabel-Gesamtausgang ([1] + [2]): 12 V \approx 350 mA

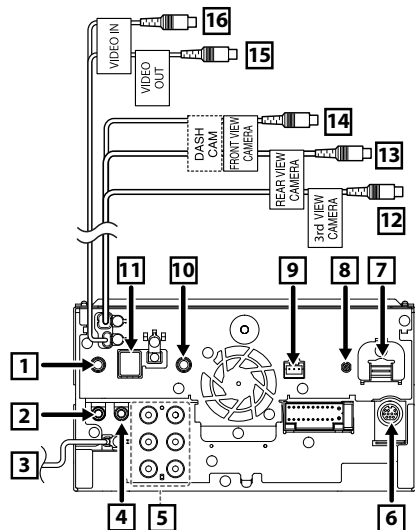
3-Wege-Lautsprechersystem-Setup



HINWEIS

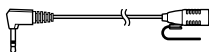
- Für die Lautsprechersystemeinstellung, siehe **3-Wege-Lautsprechersystem-Setup (S.57)** in der Bedienungsanleitung.
- Zur Lautsprechereinstellung und Crossover-Einstellung, siehe **Lautsprecher/ X'over-Einstellung (S.58)** in der Bedienungsanleitung.
- Zum Anschluss von Lautsprecherkabeln an andere Anschlüsse als die Lautsprecheranschlüsse und Preout-Anschlüsse, siehe **Anschluss der System- und externen Komponenten (S.60)** und **Anschließen der Kabel an die Anschlüsse (S.59)**.

Anschluss der System- und externen Komponenten

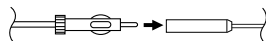


1 Am Lenkrad-Fernbedienungskabelbaum des Fahrzeugs anschließen. Wenden Sie sich für Einzelheiten an Ihren KENWOOD-Händler.

2 Zubehör (3): Bluetooth-Mikrofon

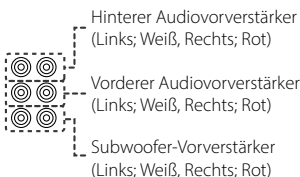


3 UKW/MW-Antenneneingang



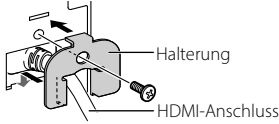
4 AV-Audioausgang (ø3,5-Minibuchse)

5 Wenn Sie die Verbindung zu externen externem Verstärker einrichten, verbinden Sie dessen Erdungskabel mit der Autokarosserie, um Schäden am Gerät zu vermeiden.

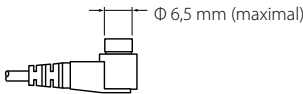


6 Externe I/F
Max. Stromversorgung:
12 V \approx 500 mA

- 7** HDMI-Eingang
Benutzen Sie das HDMI-Kabel KCA-HD100 (optionales Zubehör). Entfernen Sie zum Verbinden des Kabels am HDMI-Anschluss die Halterung. Bringen Sie die Halterung wieder an, nachdem Sie das Kabel angeschlossen haben.



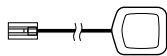
- 8** Digital Radio Antenne CX-DAB1 (optionales Zubehör)
⚠ Verwendung einer CX-DAB1 (optionales Zubehör) als DAB-Antenne wird empfohlen. Bei Verwendung einer handelsüblichen Digital Radio-Antenne darf der Durchmesser des SMB-Steckers höchstens $\Phi 6,5$ mm betragen.



- 9** Armaturenbrettkamera-Schnittstelle
Schließen Sie eine Armaturenbrettkamera DRV-N520 (optionales Zubehör) an. **(S.63)**

- 10** AV-Audioeingang ($\varnothing 3,5$ -Minibuchse)

- 11** Zubehör ⑥: GPS-Antenne
Verwenden Sie die beiliegende GPS-Antenne. Verwendung einer anderen als der beiliegenden GPS-Antenne kann zu einer Verschlechterung der Positionsgenauigkeit führen.



- 12** Drittansichtskameraeingang (gelb). Siehe **Zur Einstellung der Kamerazuweisungseinstellungen (S.63)**.

- 13** Rückfahrkameraeingang (gelb) *1

- 14** Frontkamera/Armaturenbrettkamera-Eingang (gelb).*2 Siehe **Zur Einstellung der Kamerazuweisungseinstellungen (S.63)**.

- 15** Videoausgang (gelb)

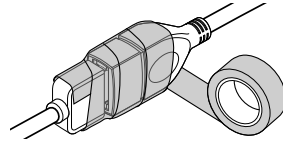
- 16** Videoeingang (gelb)

*1 Schließen Sie die HD-Kamera am Rückfahrkamera-Eingangsanschluss an, um HD-Video zu verwenden.

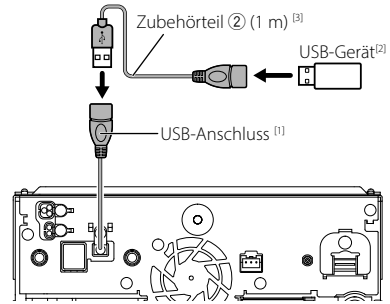
*2 Schließen Sie die HD-Kamera am Frontkamera/Armaturenbrettkamera-Eingangsanschluss an, um HD-Video zu verwenden.

■ Sichern des USB-Verlängerungskabels

Sichern Sie das USB-Verlängerungskabel mit Isolierband o. Ä., damit die Steckverbinder nicht getrennt werden können.



■ Anschluss eines USB-Geräts



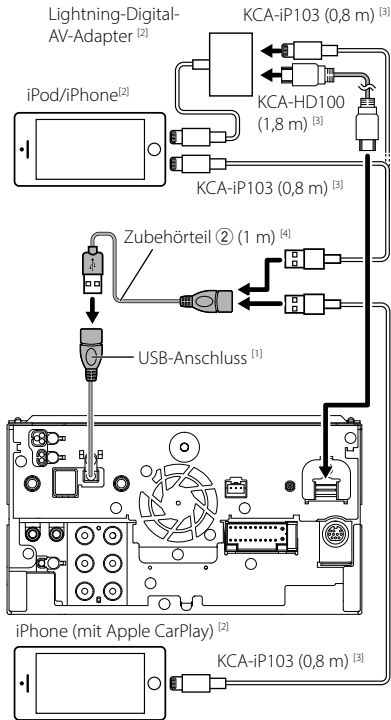
^[1] Max. USB-Stromversorgung:
DC 5 V $\overline{\text{---}}$ 1,5 A

^[2] Separat erhältlich

^[3] Siehe **Sichern des USB-Verlängerungskabels (S.61)**.

Verbindung/Installation

Anschluss eines iPods/iPhones



^[1] Max. USB-Stromversorgung:
DC 5 V \equiv 1,5 A

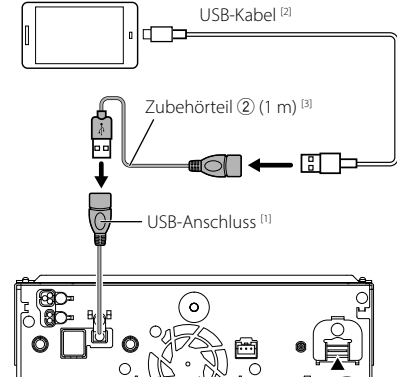
^[2] Separat erhältlich

^[3] Optionales Zubehör

^[4] Siehe **Sichern des USB-Verlängerungskabels (S.61)**.

Anschluss eines Android-Smartphones

Android-Smartphone (mit Android Auto) ^[2]

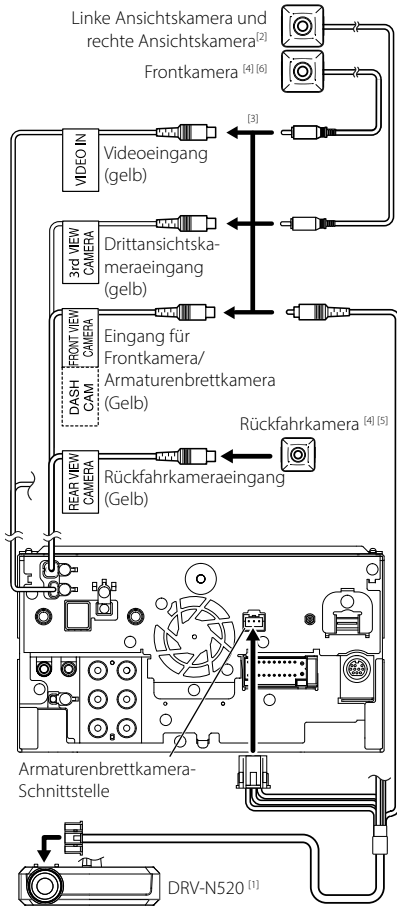


^[1] Max. USB-Stromversorgung:
DC 5 V \equiv 1,5 A

^[2] Separat erhältlich

^[3] Siehe **Sichern des USB-Verlängerungskabels (S.61)**.

Verbinden der Kamera



^[1] Optionales Zubehör

^[2] Separat erhältlich

^[3] Bis zu 3 Kameras aus Dashboard-Kamera, Frontkamera, linker Kamera und rechter Kamera können verbunden werden. **(S.63)**

^[4] CMOS-3xx-Serie (optionales Zubehör) oder im Handel erhältliche Kamera.

^[5] Für HD-Video wird auch eine HD-Kamera als Rückfahrkamera verwendet.

^[6] Für HD-Video wird auch eine HD-Kamera als Frontkamera verwendet.

Zur Einstellung der Kamerazuweisungseinstellungen

- 1 Drücken Sie die **HOME / ⏪**-Taste.
- 2 Berühren Sie **⚙️**.
- 3 Drücken Sie **SETUP**.
➤ Der SETUP-Menübildschirm wird angezeigt.
- 4 Drücken Sie **Camera**.
➤ Das Kameraeinstellungsmenü wird angezeigt.
- 5 Berühren Sie **Camera Assignment Settings**.
- 6 Wählen Sie das einzurichtende Element aus.

REAR VIEW CAMERA

Stellen Sie die Kamerazuweisung über die am Rückfahrkamera-Eingangsanschluss verbundene Kamera ein.

FRONT VIEW CAMERA/DASH CAM

Stellen Sie die Kamerazuweisung über die am Frontkamera/Armaturenbrettkamera-Eingangsanschluss verbundene Kameraansicht ein.

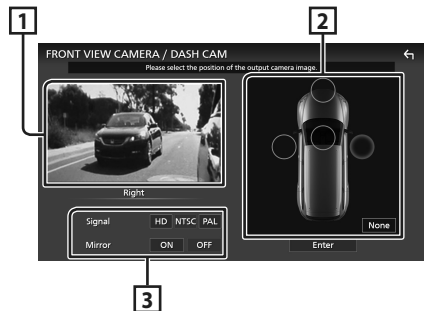
3rd VIEW CAMERA

Stellen Sie die Kamerazuweisung über die am Drittsichtskamera-Eingangsanschluss verbundene Kamera ein.

VIDEO IN

Stellen Sie die Kamerazuweisung über die am Videoeingangsanschluss verbundene Kamera ein.

- 7 Wählen Sie die einzustellende Ansichtskamera aus.



1 Picture from view camera

2 Camera position

3 Picture quality settings

- 8 Drücken Sie **Enter**.

Inhoud

Voor ingebruikname	64
Over de snelstartgids	64
Voorzorgsmaatregelen	64
De handleiding gebruiken	65
Gebruik aanraakscherm	65
Opmerking voor specificaties	65
Basisbediening	66
Functies van de knoppen op het voorpaneel ...	66
Het toestel inschakelen	66
Instellingen voor de kalender/klok	66
Startscherm	67
Pop-up menu	67
Radio	68
Digitale radio	68
USB/iPod/iPhone	69
Bluetoothregeling	70
Registreer het Bluetooth-apparaat	70
Het handsfree-apparaat gebruiken	71
Verbinden/installeren	72
Vóór de installatie	72
De unit installeren	74

Voor ingebruikname

Over de snelstartgids

- Deze snelstartgids beschrijft de basisfuncties van dit apparaat. Raadpleeg de handleiding op de volgende website voor functies die niet in deze handleiding worden beschreven:
<https://manual.kenwood.com/edition/im406/>



- Wijzigingen van de specificaties en dergelijke in de gebruiksaanwijzing zijn voorbehouden. Download de laatste editie van de gebruiksaanwijzing voor referentie.

Vorzorgsmaatregelen

▲WAARSCHUWINGEN

■ **Neem de volgende voorzorgsmaatregelen om persoonlijk letsel of brand te voorkomen:**

- Om kortsluiting te voorkomen, nooit metalen voorwerpen (zoals munten of metalen gereedschappen) in het toestel plaatsen of achterlaten.
- Kijk niet naar het scherm of richt uw ogen niet op het scherm als u langere tijd aan het rijden bent.
- Raadpleeg uw KENWOOD-dealer als u tijdens de installatie problemen ondervindt.

■ **Vorzorgsmaatregelen voor het gebruik van het toestel**

- Neem wanneer u optionele toebehoren aanschaft contact op met uw KENWOOD-dealer om te controleren of deze optionele toebehoren met uw model en in uw regio functioneren.
- U kunt een taal selecteren om menu's, audiobestanden, enz. weer te geven. Zie **Systeeminstellingen (P.56)** in de instructiehandleiding.
- De functie Radio Data System werkt niet in gebieden waar de dienst niet ondersteund wordt door een uitzendstation.

■ **De monitor beschermen**

- Om de monitor tegen beschadiging te beschermen, mag u de monitor niet bedienen met een balpen of een soortgelijk hulpmiddel met een scherpe punt.

■ **Het toestel reinigen**

- Als er vlekken op het frontje van dit toestel zitten, veeg deze er dan met een droge, zachte doek, zoals een siliconendoekje, van af. Als er hardnekkige vlekken op het voorpaneel zitten, veeg deze af met een doek bevochtigd met een neutrale reiniger, veeg het vervolgens opnieuw af met een schone, zachte, droge doek.

OPMERKING

- Reinigingspray rechtstreeks op het toestel aanbrengen kan de mechanische onderdelen beschadigen. Het afvegen van het voorpaneel met een harde doek of met een vluchtige vloeistof zoals thinner of alcohol kan krassen op het oppervlak veroorzaken of de gescreende print wissen.

Ontvangen van GPS-signalen

Wanneer u het toestel voor het eerst inschakelt, moet u even wachten tot het toestel het satelliet signaal voor de eerste keer ontvangt. Dit kan enkele minuten duren. Zorg ervoor dat uw voertuig buiten op een open plek uit de buurt van hoge gebouwen en bomen staat zodat de ontvangst snel tot stand kan komen.

Nadat het systeem voor de eerste keer een satelliet signaal heeft ontvangen, zal de ontvangst daarna sneller tot stand komen.

Over GLONASS

Dit apparaat maakt gebruik van een Global Navigation Satellite System (GLONASS) naast het GPS-signaal.

Door GPS en GLONASS te combineren, kan de nauwkeurigheid van de positionering worden meer dan met alleen GPS worden verfijnd.

Waarschuwing voor Smartphonegebruikers

Gelijktijdige uitvoering van meerdere applicaties op uw smartphone tijdens het delen van het scherm vraagt veel van de microprocessor van de telefoon, dit beïnvloedt mogelijk de communicatie en prestaties.

Voor de beste resultaten tijdens het koppelen met uw KENWOOD-ontvanger, moet u ervoor zorgen dat u ongebruikte toepassingen sluit.

De handleiding gebruiken

- De in deze handleiding weergegeven schermen en panelen worden als een voorbeeld gebruikt om de bediening te verduidelijken. Ze kunnen daarom afwijken van de werkelijk schermen en panelen, of sommige scherm patronen kunnen van de actuele patronen verschillen.
- **Schermtaal:** Engels wordt gebruikt ter verklaring. U kunt een weergavetaal selecteren in het menu **SETUP**.

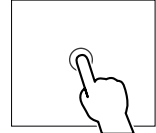
Zie **Systeeminstellingen (P.56)** in de instructiehandleiding.

Gebruik aanraakscherm

Om bewerkingen op het scherm uit te voeren, moet u een item aanraken, blijven aanraken, tikken of vegen om een item te selecteren, een instellingsmenuscherm weergeven of van pagina veranderen.

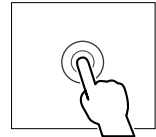
● Tikken

Tik licht op het scherm om een onderdeel op het scherm te kiezen.



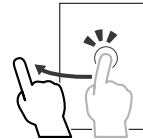
● Iets langer aanraken (lang tikken)

Tik op het scherm en houd uw vinger op zijn plaats totdat het display verandert of een mededeling wordt getoond.



● Vegen

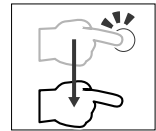
Schuif uw vinger snel naar links of rechts op het scherm om van pagina te veranderen.



U kunt door een lijstschermbalderen door omhoog/omlaag te vegen op het scherm.

● Snel bewegen

Schuif uw vinger omhoog of omlaag op het scherm om het scherm te rollen.



Opmerking voor specificaties

■ Bluetooth-gedeelte

Frequentie

: 2,402 – 2,480 GHz

RF-uitgangsvermogen (E.I.R.P.)

: +4 dBm (MAX), vermogensklasse2

■ Algemeen

Bedrijfsspanning

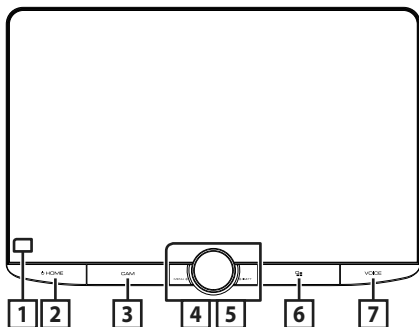
: 12 V gelijkstroom autoaccu

Luidsprekerimpedantie

: 4 – 8 Ω

Basisbediening

Functies van de knoppen op het voorpaneel



OPMERKING

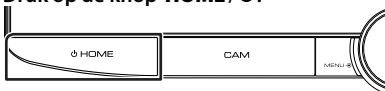
• De panelen in deze handleiding zijn voorbeelden die worden gebruikt om een duidelijke uitleg van de bewerkingen te geven. Om die reden kunnen de panelen afwijken van de werkelijke panelen.

Naam	Beweging
1 Sensor op afstand	• Ontvangt het bedieningssignaal op afstand.
2 HOME/⏪	• Geeft het START-scherm weer (P.67) . • Als de knop 1 seconde wordt ingedrukt, wordt het toestel uitgeschakeld. • Wanneer de stroom is uitgeschakeld, wordt de stroom ingeschakeld.
3 CAM	• Schakelt weergave cameradisplaat aan/uit.
4 MENU/ATT	• Geeft het Pop-up menuscherm weer. • Als de knop 1 seconde wordt ingedrukt, schakelt het dempen van het volume in/uit.
5 Volumeknop	• Regelt het volume.
6	• Toont het APP-scherm (Apple CarPlay/Android Auto/Wireless Mirroring). • Terwijl het APP-scherm wordt weergegeven, wordt er geschakeld naar het regelscherm van de huidige bron.

Naam	Beweging
7 VOICE	• Zet de stemherkenningsfunctie aan/uit. • Wanneer Apple CarPlay, Android Auto, noch een Bluetooth handsfree-telefoon is aangesloten, wordt door het ingedrukt houden het dialoogvenster wachten op koppelen Bluetooth weergegeven.

Het toestel inschakelen

1 Druk op de knop **HOME** / ⏪.



➤ Het toestel wordt ingeschakeld.

● **Het toestel uitschakelen:**

1 Druk op de knop **HOME** / ⏪ gedurende **1 seconde**.

Instellingen voor de kalender/klok

1 Druk op de knop **HOME** / ⏪.

2 Raak aan.

3 Raak **SETUP** aan.

➤ Het scherm **SETUP** Menu verschijnt.

4 Raak **System** aan.

➤ Het menu systeeminstellingen verschijnt.

5 Stel de verschillende items als volgt in.

Blader door de pagina om verborgen items weer te geven.



■ **Time Format**

Selecteer het formaat van de tijdweergave.
12-Hour / 24-Hour (Standaard)

■ **Clock**

GPS-SYNC (Standaard): Synchroniseert de kloktijd met de GPS.

Manual: Stel de klok handmatig in.

■ **Time Zone**

Selecteer de tijdzone.

■ Clock Adjust

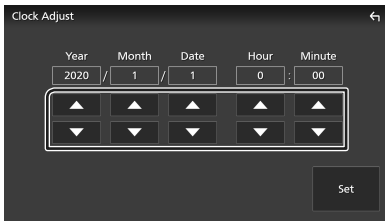
Als u **Manual** selecteert voor Klok, pas dan de datum en tijd handmatig aan. (P.67)

OPMERKING

- Stel de datum en tijd in. Als ze niet zijn ingesteld, kunnen sommige functies niet werken.

● Pas handmatig de datum en tijd aan

- 1 Raak **Clock Adjust** aan in het menu systeeminstellingen.
- 2 Pas de datum aan en pas vervolgens de tijd aan.



3 Raak Set aan.

Startscherm

De meeste functies kunnen worden uitgevoerd met het START-scherm.

1 Druk op de knop HOME / ⏪.



- | | |
|---|---|
| 1 | • Widget |
| 2 | • Geeft het bronselectiescherm weer. |
| 3 | • Geeft het SETUP-menuscherm weer. |
| 4 | • Snelkoppelpictogrammen voor de weergavebron |

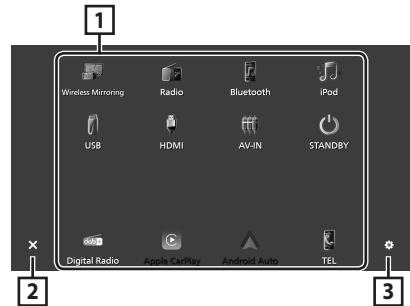
■ Beschrijving bronselectiescherm

U kunt pictogrammen van alle weergavebronnen en opties weergeven op het bronselectiescherm.

- 1 Druk op de knop HOME / ⏪.
➤ START-scherm verschijnt.

2 Raak aan.

In dit scherm kunt u de volgende bronnen en functies selecteren.



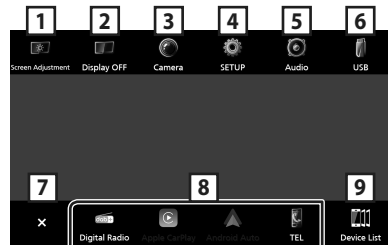
- | | |
|---|--------------------------------------|
| 1 | • Wijzigt afspelerbronnen. |
| 2 | • Keert terug naar de vorige scherm. |
| 3 | • Geeft het SETUP-menuscherm weer. |

Pop-up menu

1 Druk op de knop MENU / ATT.

➤ Pop-up menu verschijnt.

2 Raak aan om het Pop-up menu weer te geven.



De inhoud van het menu is als volgt:

- | | |
|---|---|
| 1 | • Geeft het scherm voor schermafstelling weer. |
| 2 | • Schakelt het display uit. |
| 3 | • Geeft het scherm van de weergavecamera weer. |
| 4 | • Geeft het SETUP-menuscherm weer. |
| 5 | • Geeft het Audioscherm weer. |
| 6 | • Geeft het regelscherm van de huidige bron weer. Pictogram verschilt per bron. Dit pictogram staat voor de USB-bron. |
| 7 | • Sluit het Pop-up menu. |
| 8 | • Snelkoppelpictogrammen: |

- Toont de Android Auto-apparatenlijst. Dit pictogram verschijnt alleen wanneer Android Auto is verbonden en twee of meer apparaten kunnen worden gebruikt als Android Auto-bron.

Radio

Als u naar de Radiobron wilt luisteren, raak het **Radio**-icoontje aan in het bronselectiescherm. (P.67)



1 Bedieningstoetsen

- **◀▶** : Stemt af op een zender. De methode om frequenties te wisselen kan veranderd worden (zie **4** Zoek modus).

2 Functiepaneel

Raak de rechterkant van het scherm aan om het functiepaneel weer te geven. Raak nogmaals aan om het paneel te sluiten.

- **TI** (alleen FM): Selecteert de verkeersinformatiemodus.
- **SETUP** (alleen FM): Geeft het Radio SETUP-scherm weer.
- **AME**: Stelt zenders vooraf automatisch in.
- **PTY** (alleen FM): Zoekt naar een programma op programmatype.
- **MONO** (alleen FM): Selecteert de Mono-ontvangstmodus.
- **LO.S** (alleen FM): Schakelt de lokale zoekfunctie in of uit.

3 Bandknoppen

Schakelt banden (tussen FM en AM).

4 Zoekmodus

Raak om de zoekmodus om te schakelen aan in de volgende volgorde: **AUTO1**, **AUTO2**, **MANUAL**.

- **AUTO1**: stemt automatisch af op een zender met goede ontvangst.
- **AUTO2**: Stemt de ene na de andere opgeslagen zender af.
- **MANUAL**: schakelt handmatig over naar de volgende frequentie.

5 Informatieweergave

- Geeft de informatie over de huidige zender weer: Frequentie
Preset-toets: Voorkeuzenummer

6 Voorkeurslijst

- Het aanraken van **◀** / **▶** stelt u in staat om de schermgrootte te wijzigen.
- Roept de opgeslagen zender op.
- Als deze toets 2 seconden wordt aangeraakt, wordt de huidige ontvangen zender in het geheugen opgeslagen.

Automatisch geheugen

U kunt zenders met goede ontvangst automatisch in het geheugen opslaan.

- 1** Raak de gewenste frequentiebandtoets aan (**FM / AM**).
- 2** Raak **▶** de linkerkant van het scherm aan.
Raak AME aan.
- 3** Raak **Yes** aan.
▶ Het automatisch geheugen start.

Digitale radio

Raak het pictogram **Digital Radio** aan op het bronselectiescherm om naar de digitale radiobron te luisteren. (P.67)



1 Bedieningstoetsen

- **Q**: Geeft het Servicelijst-scherm weer.
- **◀▶**: Stemt af op een ensemble label, service label en component. Het schakelen van zoekmodus kan gewijzigd worden. (zie **3** Zoek modus).

2 Functiepaneel

Raak de rechterkant van het scherm aan om het functiepaneel weer te geven. Raak nogmaals aan om het paneel te sluiten.

- **TI**: Selecteert de verkeersinformatiemodus.
- **SETUP**: Geeft het SETUP-scherm van digitale radio weer.

- **PTY**: Zoekt naar een programma op programmatype.
- **DLS**: Het scherm Dynamische Label Segment weergeven.

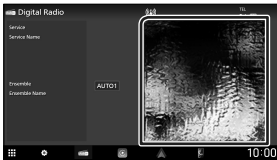
3 Zoekmodus

Raak om de zoekmodi om te schakelen aan in de volgende volgorde: **AUTO1**, **AUTO2**, **MANUAL**.

- **AUTO1**: Stemt automatisch af op een ensemble met goede ontvangst.
- **AUTO2**: Stemt het ene na het andere opgeslagen ensemble af.
- **MANUAL**: Schakelt handmatig over naar het volgende ensemble.

4 Informatieweergave

- Geeft de informatie over de huidige zender weer: Servicenam
- Raak aan om te schakelen tussen bedienings- en informatiescherm.



5 Voorkeurslijst

- Het aanraken van **<** / **>** stelt u in staat om de schermgrootte te wijzigen.
- Roept de opgeslagen service op.
- Als deze gedurende 2 seconden wordt aangeraakt, wordt de momenteel ontvangen service in het geheugen opgeslagen.

USB/iPod/iPhone

Een USB-apparaat/iPod/iPhone aansluiten

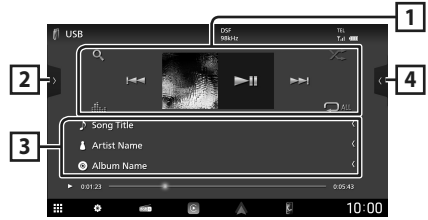
- 1 Verbind het USB-apparaat met de USB-kabel. (P.81)
Sluit de iPod/iPhone aan met gebruik van de KCA-iP103. (P.82)
- 2 Druk op de knop **HOME** / **⏏**.
- 3 Raak **⏏** aan.
- 4 Raak **USB** of **iPod** aan. (P.67)

Ontkoppel het USB-apparaat/de iPod/iPhone

- 1 Druk op de knop **HOME** / **⏏**.
- 2 Raak een andere bron dan **USB** aan.

3 Koppel het USB-apparaat/de iPod/iPhone los.

Basisoperatie



1 Bedieningstoetsen

- **🔍**: Zoekt nummer/bestand.
- **⏮** **⏭**: Zoekt naar het vorige/volgende nummer/bestand.
- **▶** **⏸**: Speelt af of onderbreekt het afspelen.

2 Inhoudslijst

- Raak het scherm aan de linkerkant aan om de Inhoudslijst weer te geven. Raak nogmaals aan om de lijst te sluiten.
- Geeft de afspelende lijst weer. Wanneer u een nummer/bestandsnaam aanraakt in de lijst, zal het afspelen beginnen.

3 Nummerinformatie

- Informatie over het huidige bestand wordt weergegeven.

4 Functiepaneel (alleen USB)

Raak de rechterkant van het scherm aan om het functiepaneel weer te geven. Raak nogmaals aan om het paneel te sluiten.

- **📁** **+**: Zoekt naar de vorige/volgende map.

Videoscherm (alleen USB)



5 Bestandszoekvlak (alleen Videobestand)

Raak aan om te zoeken naar het volgende/vorige bestand.

6 Toetsenweergavevlak (alleen videobestand)

Aanraken om het regelscherm weer te geven.

Bluetoothregeling

Zoeken

U kunt via de volgende bewerkingen naar muziek- of videobestanden zoeken.

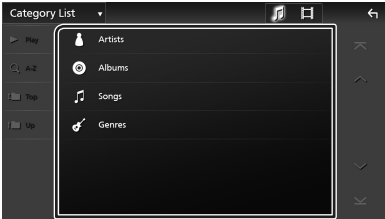
- 1 Raak **Q** aan.
- 2 Raak **▼** aan.



- 3 Kies een lijsttype.



- 4 Selecteer of u zoekt naar audiobestanden of videobestanden . (Alleen USB)
- 5 Raak de gewenste categorie aan.



► De bij uw keuze behorende lijst wordt weergegeven.

- 6 Raak aan om het gewenste item in de lijst te selecteren. Herhaal dit totdat u het gewenste bestand hebt gevonden.

Bluetoothregeling

Gebruik maken van de Bluetooth-functie stelt u in staat verschillende functies te gebruiken, zoals naar een audiobestand luisteren en een telefoongesprek plaats/aannemen.

Registreer het Bluetooth-apparaat

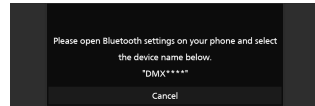
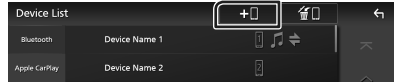
Het is noodzakelijk om de Bluetooth-audiospeler of smartphone/mobiele telefoon in dit toestel te registreren voordat u de Bluetooth-functie gebruikt.

U kunt maximaal 10 Bluetooth-apparaten registreren.

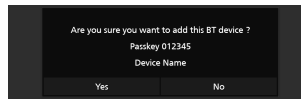
OPMERKING

- Tot maximaal 10 Bluetooth apparaten kunnen worden geregistreerd. Als u de 11e Bluetooth-eenheid probeert te registreren, zal het Bluetooth-apparaat die als eerste werd geregistreerd verwijderd worden om de 11e te registreren.

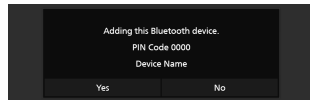
- 1 Druk op de knop **HOME** / .
- 2 Raak aan.
- 3 Raak **SETUP** aan.
► Het scherm SETUP Menu verschijnt.
- 4 Raak **Connections & AV** aan.
- 5 Raak **Device list** aan.
- 6 Kies een type apparaat.
- 7 Raak aan.
► Het dialoogvenster Bluetooth-wachtparing verschijnt.



- 8 Zoek naar het toestel („DMX9720XDS”) vanaf uw smartphone/mobiele telefoon. Voer stappen 8 tot 10 uit binnen 30 seconden.
- 9 Bedien uw smartphone/mobiele telefoon volgens de weergegeven berichten.
 - Bevestig de aanvraag zowel op de smartphone/mobiele telefoon.



- Voer de PIN-code in uw smartphone/mobiele telefoon in.
De PIN-code is standaard ingesteld op "0000".





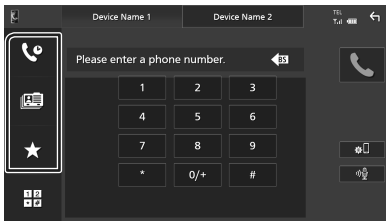
- 10 Raak **Yes** aan.





Het handsfree-apparaat gebruiken

U kunt de telefoonfunctie gebruiken door de Bluetooth-telefoon op dit toestel aan te sluiten.

Een telefoongesprek tot stand brengen

- 1 Druk op de knop **HOME** / .
- 2 Raak  aan.
- 3 Raak **TEL** aan.
 - Het handsfree-scherm verschijnt.
- 4 Selecteer een methode om het nummer te kiezen.



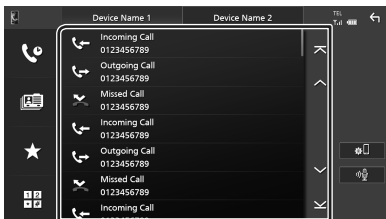
- : Bellen via de gesprekslijsten
- : Bellen via het telefoonboek
- : Bellen met het voorkeursnummer
- : Bellen door een telefoonnummer in te voeren

Bellen door een telefoonnummer in te voeren



- 1 Raak  aan.
- 2 Voer een telefoonnummer in met de nummertoons.
- 3 Raak  aan.

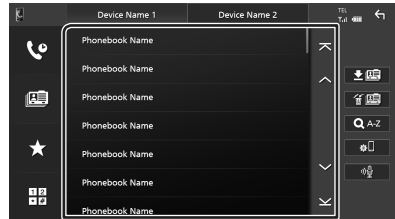
Bellen via de gesprekslijsten

- 1 Raak  aan.
- 2 Selecteer het telefoonnummer uit de lijst.




Bellen via het telefoonboek

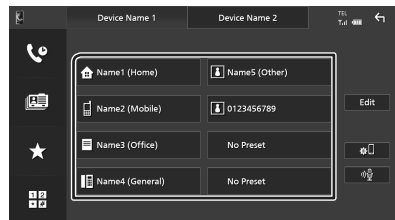
- 1 Raak  aan.
- 2 Raak  **A-Z** aan.
- 3 Selecteer de beginletter.
 - Tekens waarmee geen namen corresponderen, worden niet weergegeven.
- 4 Selecteer de persoon die u wilt bellen uit de lijst.





- 5 Selecteer het telefoonnummer uit de lijst.

Bellen met behulp van het voorkeursnummer

- 1 Raak  aan.
- 2 Raak de naam of het telefoonnummer aan.



Een telefoongesprek ontvangen

- 1 Raak  aan om een inkomend gesprek aan te nemen, of  om een inkomend telefoongesprek te weigeren.



Een telefoongesprek beëindigen

- 1 Tijdens een gesprek, raak  aan.

Verbinden/installeren

Deze paragraaf is bedoeld voor de professionele installateur.

Laat voor de veiligheid de bedrading en montage over aan professionals. Raadpleeg de autoradio-dealer.

Vóór de installatie

Neem vóór de installatie van dit toestel de volgende voorzorgsmaatregelen in acht.

⚠ WAARSCHUWINGEN

- Als u de ontstekingskabel (rood) en de accukabel (geel) op het chassis van de auto (massa) aansluit, kunt u kortsluiting veroorzaken waardoor brand kan ontstaan. Sluit deze kabels altijd aan op de voedingsbron die door de zekeringkast loopt.
- Verwijder niet de zekering van de ontstekingskabel (rood) en de accukabel (geel). De voeding moet zijn aangesloten op de kabels via de zekering.

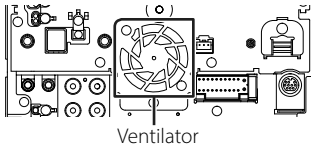
⚠ LET OP

- Installeer dit toestel in de console van uw auto. Raak het metalen deel van dit toestel tijdens of na het gebruik niet aan. Metalen delen zoals de behuizing worden heet.

OPMERKING

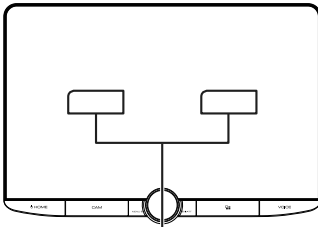
- De montage en aansluiting van dit product vereist kennis en ervaring. Voor uw eigen veiligheid dient u de montage en aansluiting over te laten aan deskundigen.
- Installeer het toestel niet als het een belemmering wordt voor prestaties van de chauffeur.
- Pas de positie van het paneel aan zodat het geen belemmering wordt voor prestaties van de chauffeur.
- Zorg dat het toestel op een negatieve 12 Volt gelijkstroomvoeding is geaard.
- Installeer het toestel niet op plaatsen die aan direct zonlicht, overmatige hitte of vochtigheid blootstaan. Vermijd tevens zeer stoffige plaatsen of plaatsen waar het toestel nat zou kunnen worden.
- Gebruik geen eigen schroeven. Gebruik uitsluitend de bij het toestel geleverde schroeven. Het gebruik van verkeerde schroeven kan het toestel beschadigen.

- Indien de stroom niet is ingeschakeld, („er is een storing in de bedrading van de luidspreker. Controleer de aansluitingen.“ Indien wordt weergegeven), is er misschien een kortsluiting van de luidspreker draden of komen de draden in aanraking met het chassis van het voertuig en is de beschermingsfunctie mogelijk geactiveerd. Controleer in dit geval de luidsprekerkabel.
- Als het contact van uw auto geen ACC-stand heeft, moet u de ontstekingskabel met een spanningsbron verbinden die gelijk met het contact van de auto wordt in- of uitgeschakeld. Als u de ontstekingskabel verbindt met een spanningsbron waar constant spanning op staat, zoals een accukabel, kan de accu leeglopen.
- Als de console een deksel heeft, sluit het deksel niet, zelfs niet wanneer het toestel correct is geïnstalleerd.
- Als de zekering is doorgebrand, controleer u eerst of de kabels elkaar niet raken en zo een kortsluiting veroorzaken en vervangt u de zekering door een nieuwe met dezelfde stroomsterkte.
- Isoleer niet-aangesloten kabels met isolatieband of ander geschikt materiaal. Voorkom kortsluiting door de kapjes op het uiteinde van de niet-aangesloten kabels of aansluitingen niet te verwijderen.
- Sluit de luidsprekerkabels correct aan op de corresponderende aansluitingen. Het toestel kan beschadigd raken of niet langer werken als u de ⊖-draden deelt of deze aardt met een metalen onderdeel van het voertuig.
- Indien er maar twee luidsprekers op het systeem worden aangesloten, moeten de connectors óf op de beide voorste uitgangen óf op de beide achterste uitgangen worden aangesloten (verwissel voor en achter niet). Indien u bijvoorbeeld de ⊕ connector van de linker luidspreker op een voorste uitgang aansluit, mag u de ⊖ connector niet op een achterste uitgang aansluiten.
- Controleer na het installeren van het toestel of de remlichten, richtingaanwijzers, ruitenwissers etc. van de auto correct functioneren.
- Installeer het toestel zodanig dat een maximale hoek van 30° wordt bereikt.
- Dit toestel is uitgerust met een ventilator om de binnentemperatuur te verminderen. Monteer de unit niet op een plaats waar de koelventilator van de unit wordt geblokkeerd. Wanneer deze openingen worden geblokkeerd, kan de binnentemperatuur oplopen en het toestel defect raken.



Ventilator

- Duw niet te hard op het paneeloppervlak tijdens de installatie van het toestel in het voertuig. Dit kan leiden tot krassen, schade of het niet meer goed functioneren.
- De ontvangst wordt mogelijk slechter wanneer zich metalen voorwerpen in de buurt van de Bluetooth-antenne bevinden.



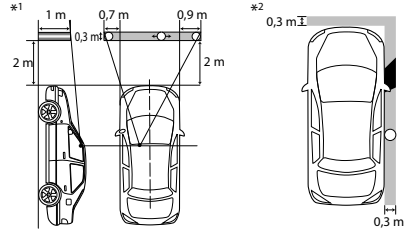
Bluetooth/Wi-Fi-antenne-eenheid

■ Installatieprocedure

- 1) Voorkom kortsluiting door de sleutel uit het contactslot te verwijderen en de \ominus aansluiting van de accu los te koppelen.
- 2) Verwijder de onderdelen van het voertuig voor het installeren van het toestel en het aansluiten van kabels op de terminal.
- 3) Verbind de juiste in- en uitgangskabels van elk toestel.
- 4) Bepaal de hoogte van het beeldscherm en de positie van de schuifregelaar. Zie **Afstand tussen het beeldscherm en het hoofdapparaat (P.74)**.
- 5) Neem connector B op de bedradingsbundel en sluit deze aan op de luidsprekerconnector van uw auto.
- 6) Neem connector A op de bedradingsbundel en sluit deze aan op de externe spanningsconnector op uw auto.
- 7) Sluit de connector van de bedradingsbundel op het toestel aan.
- 8) Installeer het hoofdapparaat in het voertuig.
- 9) Plaats de onderdelen van het voertuig terug.
- 10) Installeer het beeldscherm.
- 11) Sluit de \ominus -pool van de batterij weer aan.
- 12) Voer de begininstelling uit.
Zie **Eerste installatie (P.6)** in de instructiehandleiding.

● Voorwaartse en laterale gezichtsvelden

- Om het voorwaartse en laterale gezichtsveld van de bestuurder te bepalen onder normale omstandigheden, plaats een statief (direct zichtbaar vanaf de voorkant of zichtbaar via de achteruitkijkspiegel van de auto) zoals afgebeeld.



○ : Statief (hoogte: 1 m, diameter: 0,3 m)

■ : Gezichtsveld vanaf stuurpositie

■ : Uitzonderingsgebied (afmeting statief is onderhevig aan regelgeving)

- Voor voertuigen met het stuur aan de rechterkant zijn de normen omgekeerd.

*1 Het statief moet zichtbaar zijn vanaf de positie van de bestuurder direct vooruit in zijn gezichtsveld.

*2 Het statief moet direct of indirect zichtbaar zijn door de spiegel, etc. vanuit de positie van de bestuurder.

■ Meegeleverde accessoires voor installatie

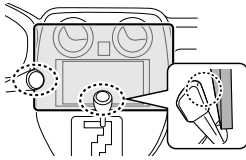
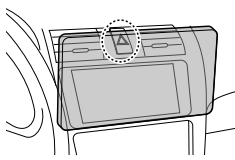
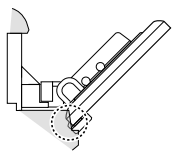
①		⑧	
	x1		x1
②		⑨	
	x1		x2
③		⑩	
	x1		x1
④		⑪	
	x1		x6
⑤			
	x2		
⑥			
	x1		
⑦			
	x1		

De unit installeren

Controleer de installatiepositie van het beeldscherm

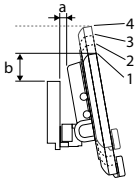
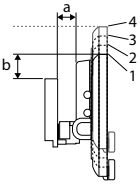
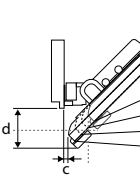
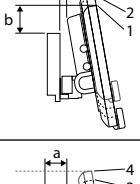
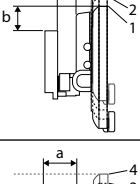
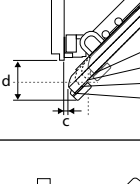
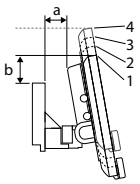
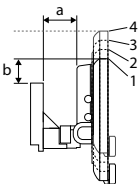
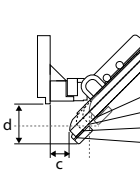
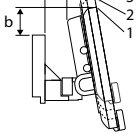
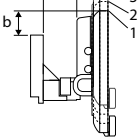
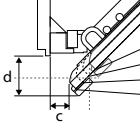
Voertuigen kunnen niet worden geïnstalleerd

Installatie is misschien mogelijk als het volgende vermeden kan worden door de positie van de schuifregelaar en de weergavehoogte aan te passen.

Als het toestel geïnstalleerd is, wordt de bediening van hendels, zoals de versnellingshendel, ruitenwischerhendel en de hendel voor de richtingaanwijzer, beïnvloed.	Er zit een alarmschakelaar verborgen onder de bestuurdersstoel.	Het beeldscherm komt tegen een paneel aan op het voertuig.
		

Afstand tussen het beeldscherm en het hoofdapparaat

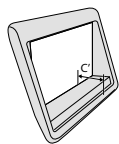
Pas de positie van de schuifregelaar en de weergavehoogte aan zodat beweging van het beeldscherm niet wordt belemmerd.

Positie van de schuifregelaar	Weergavehoek				Weergavehoogte				
	-10°	0°	45°		1	2	3	4	
Achterste positie				-10°	a	10			
				-10°	b	38,1	50,9	63,8	76,5
				0°	a	26,7			
				0°	b	34,7	47,7	60,7	73,7
				0°	c	5,7	14,4	24,1	33,4
				45°	d	55,4	46,3	37,1	27,8
Voorwaartse positie				-10°	a	30,1			
				-10°	b	38,1	50,9	63,8	76,5
				0°	a	46,7			
				0°	b	34,7	47,7	60,7	73,7
				0°	c	25,7	34,9	44,1	53,3
				45°	d	55,4	46,3	37,1	27,8

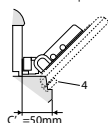
Toestel: mm

Voorbeelden

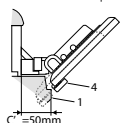
Clusterpaneel op het voertuig



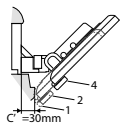
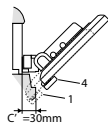
Schuifregelaar in achterste positie



Schuifregelaar in voorwaartse positie



- C'=50 mm;
Positie van de schuifregelaar: Voorwaartse positie
Weergavehoogte: Alleen „4” instellen

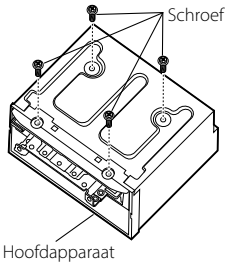


- C'=30 mm;
Positie van de schuifregelaar: Achterste positie
Weergavehoogte: Alleen „4” instellen

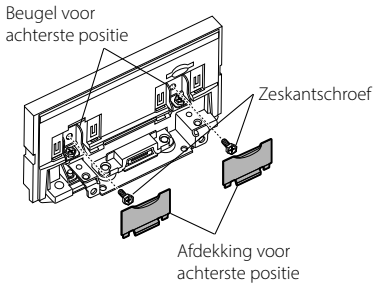
Positie van de schuifregelaar: Voorwaartse positie
Weergavehoogte: Stel „2”~„4” in

De schuifregelaar naar voren plaatsen

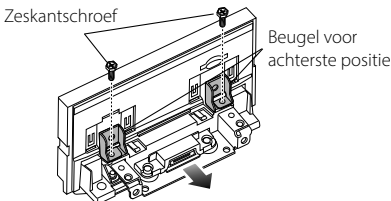
1 Verwijder de vier schroeven van de onderkant van het hoofdapparaat.



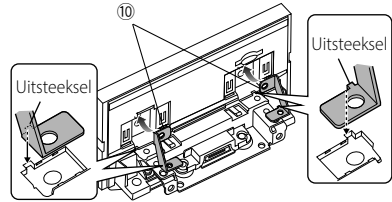
2 Verwijder de twee afdekkingen voor de achterste positie en verwijder vervolgens de twee zeskantschroeven uit de beugel voor de achterste positie.



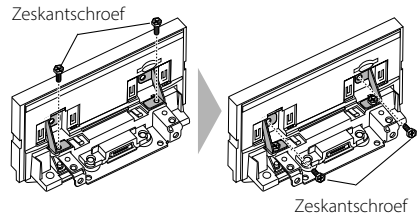
3 Trek het schuifregelaarsblok naar voren en verwijder de twee zeskantschroeven om de beugel voor de achterste positie te verwijderen.



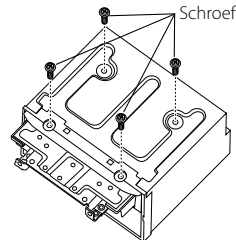
4 Plaats de beugel voor de voorste positie (accessoire 10) aan elke kant zodat de uitsteeksel zijn uitgelijnd met de sleuven op het hoofdapparaat.



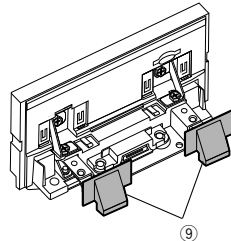
5 Bevestig de beugel voor de voorste positie op het schuifregelaarsblok met de twee zeskantschroeven. Duw tegen het schuifregelaarsblok totdat het stopt en bevestig vervolgens de beugel voor de voorste positie aan het hoofdapparaat met de twee zeskantschroeven.



6 Plaats de vier schroeven terug aan de onderkant van het hoofdapparaat.

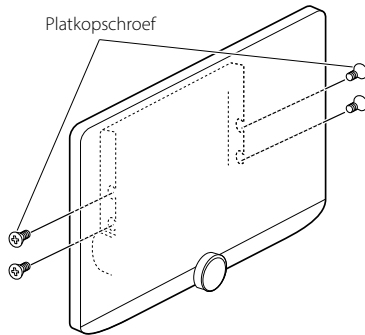


7 Monteer de afdekking voor de voorste positie (accessoire 9) op twee plaatsen, zoals afgebeeld.

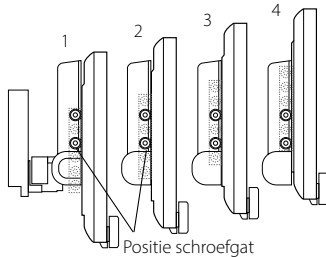


De weergavehoogte aanpassen

- 1 Verwijder de vier platkopschroeven van beide zijden.



- 2 Pas de weergavehoogte aan in overeenstemming met de positie van het schroefgat. Standaard is „1“.



- 3 Plaats de vier platkopschroeven aan beide zijden terug en bevestig het beeldscherm.

OPMERKING

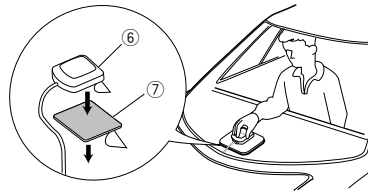
- Bevestig op de juiste manier met de platkopschroeven. Na het installeren van het beeldscherm (accessoire ⑧) op het hoofdapparaat, kantelt u het toestel naar voren totdat het niet verder kan en controleer of het beeldscherm (accessoire ⑧) niet in aanraking komt met onderdelen. Als het beeldscherm tegen voertuigonderdelen aan komt, past u de weergavehoogte opnieuw aan.

GPS-antenne

De GPS-antenne wordt in de auto geïnstalleerd. De antenne moet zo horizontaal mogelijk worden geïnstalleerd zodat de GPS-satellietsignalen goed kunnen worden ontvangen.

Installeer de GPS-antenne als volgt in uw auto:

- 1) Reinig het dashboard of het oppervlak waarop u de antenne wilt installeren.
- 2) Verwijder de afdekfolie van de metalen plaat (accessoire ⑦).
- 3) Druk de metalen plaat (accessoire ⑦) stevig op het dashboard of een ander oppervlak waarop u de antenne wilt installeren. U kunt de metalen plaat (accessoire ⑦) buigen, zodat deze indien nodig ook op gebogen oppervlakken kan worden geïnstalleerd.
- 4) Verwijder de beschermstrook van de GPS-antenne (accessoire ⑥) en plak de antenne op de metalen plaat (accessoire ⑦) vast.

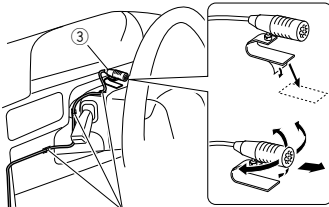


OPMERKING

- Gebruik de meegeleverde GPS-antenne. Het gebruik van andere dan de meegeleverde GPS-antenne kan een daling in de nauwkeurigheid van uw positionering teweeg brengen.
- In sommige typen auto's is de ontvangst van GPS-satellietsignalen niet mogelijk als de antenne in de auto wordt geïnstalleerd.
- Installeer deze GPS-antenne niet dichtbij antennes die worden gebruikt voor CB-radio's of satelliettelevisies.
- De afstand tussen de GPS-antenne en de antennes van smartphones/mobiele telefoons of andere zendantennes moet minimaal 30 cm bedragen. Het is mogelijk dat de GPS-satellietsignalen hinder ondervinden van deze apparaten.
- GPS-antennes presteren minder goed wanneer u ze verft (metaalkleur).

De microfoon

- 1) Controleer de installatiepositie van de microfoon (accessoire ③).
- 2) Reinig het installatieoppervlak.
- 3) Verwijder de beschermstrook van de microfoon (accessoire ③) en plak de microfoon op de plek die hieronder wordt getoond.
- 4) Leid de microfoonkabel tot aan de handsfreekit en zet de kabel op verschillende plaatsen vast met tape of vergelijkbaar materiaal.
- 5) Verstel de microfoon (accessoire ③) in de richting van de bestuurder.



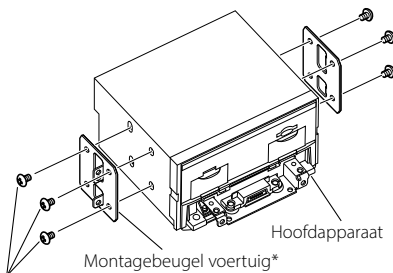
Bevestig de kabel met in de handel verkrijgbare tape.

Het hoofdapparaat installeren

OPMERKING

- Bepaal de positie van de schuifregelaar vóór het installeren van het hoofdapparaat. (P.75) De positie van de schuifregelaar kan niet worden gewijzigd na installatie op het voertuig.
- Zorg ervoor dat het toestel stevig op zijn plaats zit. Als het toestel instabiel is, kan het mogelijk slecht functioneren (het geluid kan bijvoorbeeld overslaan).

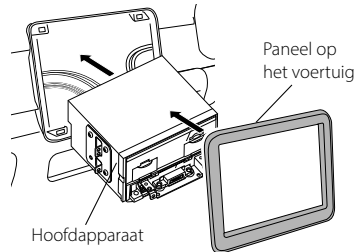
- 1 Verwijder onderdelen die een belemmering vormen bij het installeren zoals een paneel op het voertuig.
- 2 Plaats de montagebeugel van het voertuig op het hoofdapparaat.



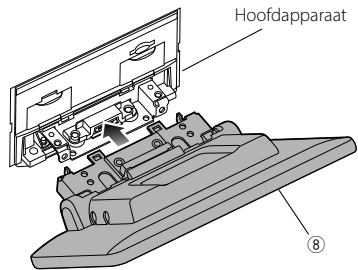
Schroef* (M5 x 8 mm)

* Afzonderlijk verkocht

- 3 Sluit de kabels van de bedradingsbundel en de randapparatuur aan.
- 4 Installeer het hoofdapparaat in het voertuig.
- 5 Plaats de verwijderde onderdelen terug, zoals een paneel op het voertuig.



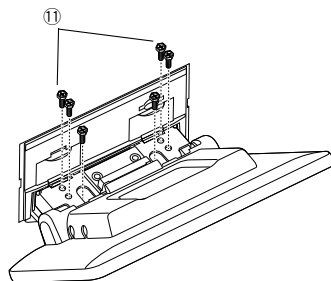
- 6 Installeer het nieuwe beeldscherm (accessoire ⑧) op het hoofdapparaat.



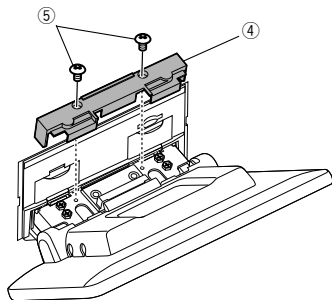
OPMERKING

- Als het beeldscherm tegen een paneel op het voertuig aan komt, pas dan de weergavehoogte aan door te kijken naar **De weergavehoogte aanpassen (P.76)**.

- 7 Bevestig het beeldscherm met zes zeskantschroeven (accessoire ⑪).



8 Bevestig de beschermende afdekking (accessoire ④) aan het koppelingsonderdeel en maak hem vervolgens vast met twee bindschroeven (accessoire ⑤).



OPMERKING

- Als de beschermende afdekking (accessoire ④) niet is bevestigd, zal dit toestel niet ingeschakeld worden. Zelfs als het toestel is ingeschakeld, wordt mogelijk halverwege de stroom uitgeschakeld. Zorg ervoor dat u de beschermende afdekking bevestigt (accessoire ④).

9 Breng het beeldscherm handmatig omhoog.

Aansluitoverzicht stekker bedradingbundel (toebehoren ①)

Pen	Kleur en functie	
A-4	Geel	Accu
A-5	Blauw/wit [2]	Spanningsregeling
A-6	Oranje/wit	Dimmer
A-7	Rood	Ontsteking (ACC)
A-8	Zwart	Aardaansluiting (massa)
B-1/ B-2	Paars (+) / Paars/Zwart (-)	Rechts achter
B-3/ B-4	Grijs (+) / Grijs/Zwart (-)	Rechts voor
B-5/ B-6	Wit (+) / Wit/Zwart (-)	Links voor
B-7/ B-8	Groen (+) / Groen/Zwart (-)	Links achter

*Luidsprekerimpedantie: 4-8 Ω

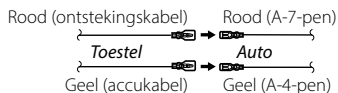
[1] [2]: Blauw/witte kabel wordt geleverd als twee kabels, [1] en [2]. Blauwe/witte draad totale output ([1] + [2]):
12 V \approx 350 mA

WAARSCHUWING voor het bevestigen van de ISO-connector

De penopstelling voor de ISO-connectors is afhankelijk van het type auto dat u rijdt. Voorkom beschadiging en zorg dat u de juiste aansluitingen verricht. De standaardaansluiting voor de bedradingbundel is in (1) hieronder beschreven. Als de ISO-connectorpenopstelling is als beschreven in (2), verricht de aansluiting dan zoals afgebeeld. De kabel moet opnieuw worden aangesloten zoals afgebeeld in (2) hieronder voor het monteren van dit toestel in Volkswagen-modellen, etc.

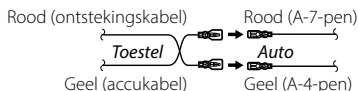
(1): Standaardinstelling

De rode (A-7-pen) van de ISO-connector van de auto is aangesloten op de ontsteking, en de gele (A-4-pen) is aangesloten op de constante voeding.

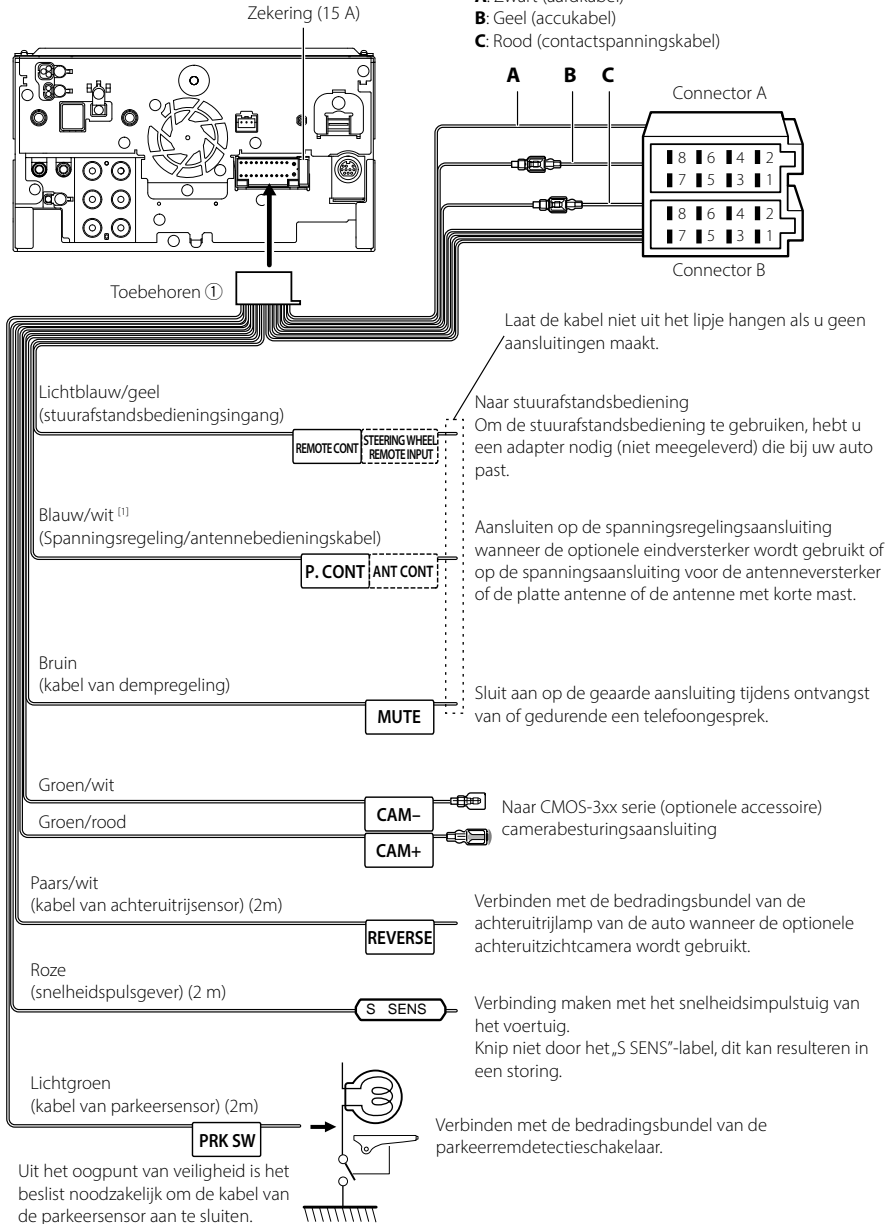


(2)

De rode (A-7-pen) van de ISO-connector van de auto is aangesloten op de constante voeding, en de gele (A-4-pen) is aangesloten op de ontsteking.

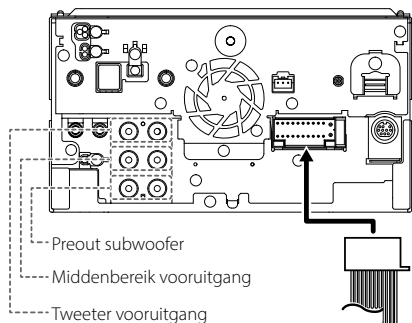


Verbinden van kabels met aansluitingen

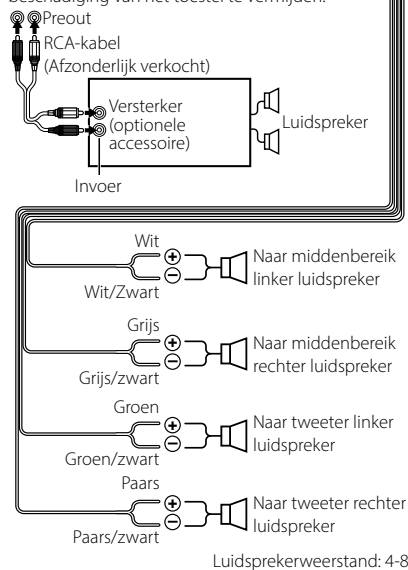


[1] [2]: Blauw/witte kabel wordt geleverd als twee kabels, [1] en [2]. Blauw/witte kabel totale output ([1] + [2]):
12 V --- 350 mA

3-weg luidspreker systeeminstellingen



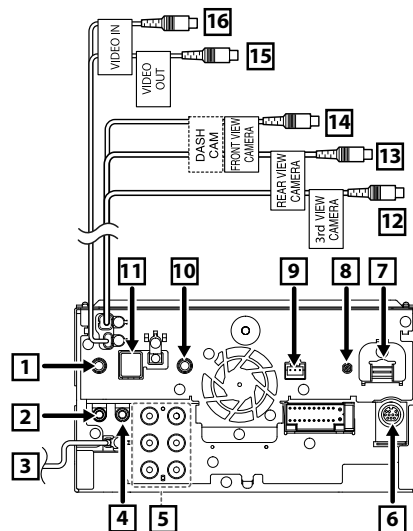
Bij aansluiting op een externe versterker, verbind de aardkabel aan het chassis van de auto om beschadiging van het toestel te vermijden.



OPMERKING

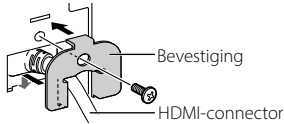
- Voor het instellen van het luidsprekersysteem, zie **3-weg luidspreker systeeminstellingen (P.57)** in de instructiehandleiding.
- Zie voor instellen van luidsprekers en crossover **Instelling speaker/X'over (P.58)** in de Instructiehandleiding.
- Zie voor informatie over het aansluiten van luidsprekerdraden op aansluitingen anders dan luidsprekeraansluitingen en preout-aansluitingen **Aansluiten van het systeem en de externe componenten (P.80)** en **Verbinden van kabels met aansluitingen (P.79)**.

Aansluiten van het systeem en de externe componenten

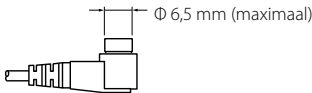


1	Verbinden met de stuurafstandsharnas van het voertuig. Neem contact op met uw KENWOOD-dealer voor meer informatie.
2	Toebehoren (3): Bluetooth-microfoon
3	FM/AM antenne-ingang
4	AV Audio-uitgang (ø3,5 ministecker)
5	Bij aansluiting op een externe versterker, verbind de aardkabel aan het chassis van de auto om beschadiging van het toestel te vermijden. <div style="display: flex; align-items: center;"> <div style="margin-right: 10px;"> </div> <div> <p>Audio-preout achter (Links; wit, rechts; rood)</p> <p>Audio-preout voor (Links; wit, rechts; rood)</p> <p>Subwoofer preout (Links; wit, rechts; rood)</p> </div> </div>
6	Externe I/F Maximale voedingsstroom: 12 V \approx 500 mA

- 7** HDMI-ingang
Gebruik HDMI-kabel KCA-HD100 (optionele accessoire).
Wanneer u de kabel aansluit op een HDMI aansluiting, verwijdert u de bevestiging.
Na aansluiten van de kabel brengt u de bevestiging weer aan.



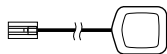
- 8** Digitale radioantenne CX-DAB1 (optionele accessoire)
⚠ Gebruik van een CX-DAB1 (optionele accessoire) als een Digitale radio-antenne is aanbevolen.
Wanneer een in de handel verkrijgbare Digitale radio-antenne wordt gebruikt, moet de diameter van de SMB-connector $\Phi 6,5$ mm of kleiner zijn.



- 9** Interface dashboardcamera
Sluit een dashboardcamera DRV-N520 (optionele accessoire) aan. **(P.83)**

- 10** AV Audio-ingang ($\varnothing 3,5$ ministekker)

- 11** Toebehoren ⑥: GPS-antenne
Gebruik de meegeleverde GPS-antenne. Het gebruik van andere dan de meegeleverde GPS-antenne kan een daling in de nauwkeurigheid van uw positionering teweeg brengen.



- 12** Ingang camera met derdepersoonsperspectief (geel). Zie **Om de camera-toewijzingsinstellingen in te stellen (P.83)**.

- 13** Ingang achteruitzichtcamera (geel) *¹

- 14** Ingang vooruitzichtcamera/dashboardcamera (geel)*² Zie **Om de camera-toewijzingsinstellingen in te stellen (P.83)**.

- 15** Video-uitgang (geel)

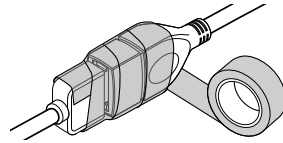
- 16** Video-ingang (geel)

*¹ Sluit een HD-camera aan op een ingangsterminal achteruitzichtcamera om HD-video te gebruiken.

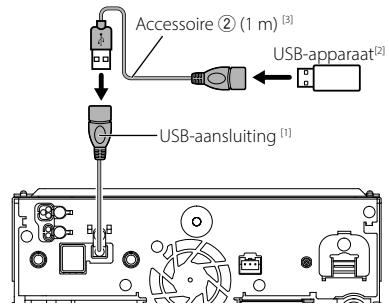
*² Sluit een HD-camera aan op een ingangsterminal vooruitzichtcamera/dashboardcamera om HD-video te gebruiken.

■ Aansluiten van de USB-verlengkabel

Bevestig de USB-verlengkabel met isolatietape of dergelijke zodat de aansluitingen niet worden losgekoppeld.



■ Een USB-apparaat aansluiten

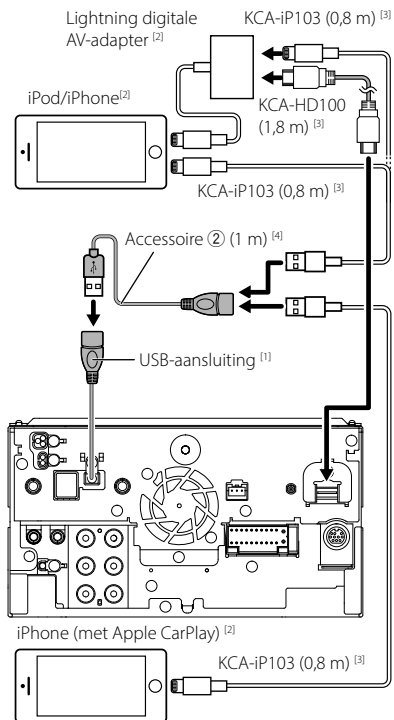


[¹] USB maximale voedingsstroom :
DC 5 V $\overline{\text{---}}$ 1,5 A

[²] Afzonderlijk verkocht

[³] Zie **Aansluiten van de USB-verlengkabel (P.81)**.

Aansluiten van een iPod/iPhone



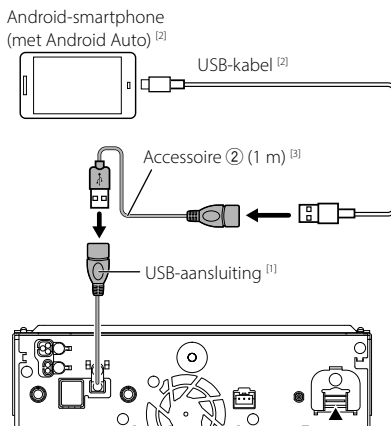
^[1] USB maximale voedingsstroom :
DC 5 V $\overline{=}$ 1,5 A

^[2] Afzonderlijk verkocht

^[3] Optionele accessoire

^[4] Zie **Aansluiten van de USB-verlengkabel (P.81)**.

Verbinden van een Android-smartphone

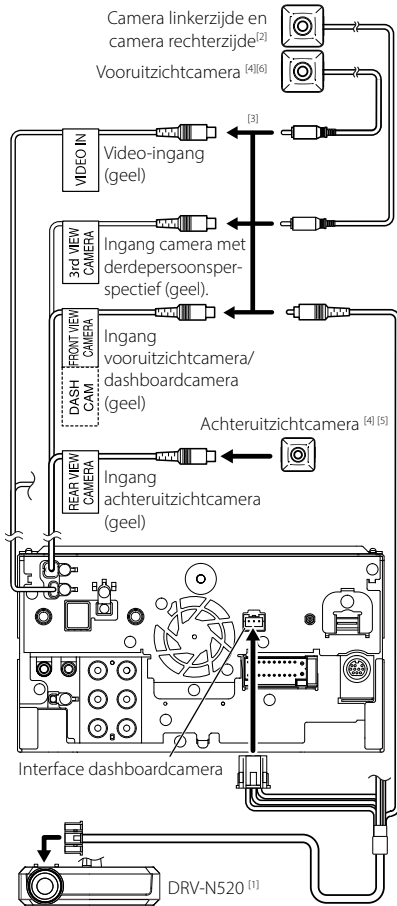


^[1] USB maximale voedingsstroom :
DC 5 V $\overline{=}$ 1,5 A

^[2] Afzonderlijk verkocht

^[3] Zie **Aansluiten van de USB-verlengkabel (P.81)**.

De camera aansluiten



[1] Optionele accessoire

[2] Afzonderlijk verkocht

[3] Er kunnen maximaal 3 camera's van het type dashboardcamera, vooruitzichtcamera, camera linkerzijde en camera rechterzijde worden aangesloten. **(P.83)**

[4] De CMOS-3xx-serie (optionele accessoire) of een in de handel verkrijgbare camera.

[5] Voor HD-video, wordt een HD-camera ook gebruikt als achteruitzichtcamera.

[6] Voor HD-video, wordt een HD-camera ook gebruikt als vooruitzichtcamera.

Om de camera-toewijzingsinstellingen in te stellen

- 1 Druk op de knop **HOME** / .
- 2 Raak aan.
- 3 Raak **SETUP** aan.
 > Het scherm **SETUP** Menu verschijnt.
- 4 Raak **Camera** aan.
 > Het camera-instellingenmenu verschijnt.
- 5 Raak **Camera Assignment Settings** aan.
- 6 Selecteer het in te stellen item.

REAR VIEW CAMERA

Stel de cameratoewijzing in van de weergavecamera aangesloten op de ingangsaansluiting van de achteruitzichtcamera.

FRONT VIEW CAMERA / DASH CAM

Stel de cameratoewijzing in van de vooruitzichtcamera verbonden via de vooruitzichtcamera/dashboardcamera-ingangsterminal.

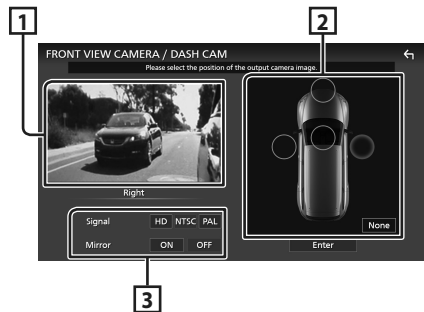
3rd VIEW CAMERA

Stel de cameratoewijzing in van camera aangesloten op de ingangsaansluiting van de camera met derde persoonsperspectief.

VIDEO IN

Stel de cameratoewijzing van de weergavecamera aangesloten op de video-ingangsaansluiting in.

- 7 Selecteer de in te stellen uitzichtcamera.



- 1 **Picture from view camera**

- 2 **Camera position**

- 3 **Picture quality settings**

- 8 Raak **Enter** aan.

Indice

Prima dell'uso	84
Informazioni sulla Guida rapida all'avvio.....	84
Precauzioni.....	84
Come utilizzare questo manuale.....	85
Uso dello schermo tattile.....	85
Nota per le specifiche.....	85
Funzioni di base	86
Funzioni dei tasti sul pannello frontale.....	86
Accensione dell'unità.....	86
Regolazione della data e dell'ora.....	86
Schermata HOME.....	87
Menu a comparsa.....	87
Radio.....	88
Radio digitale.....	88
USB/iPod/iPhone.....	89
Controllo Bluetooth	90
Registrazione del dispositivo Bluetooth.....	90
Utilizzo dell'unità vivavoce.....	91
Collegamenti/Installazione	92
Prima dell'installazione.....	92
Installazione dell'unità.....	94

Prima dell'uso

Informazioni sulla Guida rapida all'avvio

- Questa Guida rapida all'avvio descrive le funzioni di base di questa unità. Per le funzioni non descritte in questa Guida, fare riferimento al Manuale di istruzioni sul seguente sito web:
<https://manual.kenwood.com/edition/im406/>



- Le Istruzioni per l'uso sono soggette a modifica delle specifiche e di altri contenuti. Assicurarsi di scaricare l'edizione più recente delle Istruzioni per l'uso da utilizzare come riferimento.

Precauzioni

▲AVVERTENZE

■ Per prevenire lesioni o incendi, adottare le seguenti precauzioni:

- Per prevenire cortocircuiti, non mettere né lasciare mai oggetti metallici (quali monete o attrezzi metallici) all'interno dell'unità.
- Non fissare a lungo il display dell'unità durante la guida.
- Se si verificano problemi durante l'installazione, consultare il rivenditore KENWOOD.

■ Precauzioni per l'uso di questa unità

- Prima di acquistare accessori opzionali, verificare con il rivenditore KENWOOD che siano compatibili con il proprio modello e che siano utilizzabili nel proprio Paese.
- È possibile selezionare una lingua di visualizzazione di menu, tag dei file audio, ecc. Vedere **Impostazione del sistema (P.56)** nelle Istruzioni per l'uso.
- La funzione Radio Data System non opera in aree in cui tale servizio non è supportato da stazioni emittenti.

■ Protezione del monitor

- Per evitare che il monitor si danneggi, non sfiorarlo con una penna a sfera o oggetti simili appuntiti.

■ Pulizia dell'unità

- Se il frontalino di questa unità è macchiato, pulirlo con un panno morbido asciutto come ad esempio un panno al silicone. Se il frontalino è molto macchiato, pulirlo con un panno imbevuto di un detergente neutro, quindi passare di nuovo un panno morbido, pulito e asciutto.

NOTA

- Applicare detersivi spray direttamente sull'unità potrebbe danneggiare i componenti meccanici. Pulendo il frontalino con un panno non morbido o usando un liquido volatile come diluente o alcool si rischia di graffiare la superficie o di cancellare le serigrafie.

Acquisizione del segnale GPS

Alla prima accensione di quest'unità, occorre attendere che il sistema acquisisca per la prima volta i segnali dal satellite. Questa operazione potrebbe durare diversi minuti. Per accelerare l'operazione, accertarsi che il veicolo sia all'esterno, in una zona aperta, lontano da edifici e da alberi alti.

Dopo la prima acquisizione dei segnali dal satellite, le volte successive l'operazione avverrà molto più rapidamente.

Informazioni su GLONASS

Questa unità utilizza il sistema satellitare globale di navigazione (GLONASS) oltre al GPS.

La combinazione di GPS e GLONASS può perfezionare la precisione di posizionamento rispetto all'uso del solo GPS.

Precauzione per gli utenti di smartphone

Eseguire simultaneamente più applicazioni sullo smartphone durante la condivisione dello schermo pone un onere notevole sul microprocessore del telefono, il che potrebbe influire sulla comunicazione e sulle prestazioni.

Per ottenere i migliori risultati durante l'accoppiamento con il ricevitore KENWOOD, assicurarsi di chiudere tutte le applicazioni non utilizzate.

Come utilizzare questo manuale

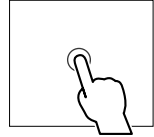
- Le immagini delle schermate e dei pannelli riportate in questo manuale sono esempi utilizzati per spiegare il funzionamento. Per questo motivo, possono differire dalle schermate o dai pannelli correnti, oppure alcuni modelli di visualizzazione possono essere diversi da quelli correnti.
- Lingua del display:** a scopo illustrativo si fa uso della lingua inglese. È possibile selezionare una lingua di visualizzazione dal menu **SETUP**. Vedere **Impostazione del sistema (P.56)** nelle Istruzioni per l'uso.

Uso dello schermo tattile

Per effettuare operazioni sulla schermata, è necessario sfiorare, sfiorare e mantenere, scorrere o passare il dito per selezionare una voce, visualizzare una schermata del menu impostazioni o cambiare pagine.

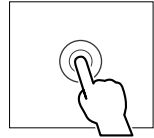
● Sfiore

Sfiore lievemente lo schermo per selezionare un elemento.



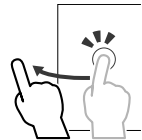
● Sfiore e mantenere

Sfiore sullo schermo l'elemento desiderato mantenendovi il dito sino a quando si ottiene una nuova visualizzazione o appare un messaggio.



● Passata orizzontale del dito

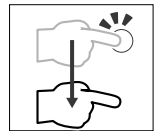
Fare scorrere rapidamente il dito a destra o a sinistra per cambiare pagina.



È possibile far scorrere una schermata di elenco facendo passare un dito verso l'alto/verso il basso sulla schermata.

● Passata verticale del dito

Fare scorrere rapidamente il dito in su o in giù per fare scorrere la schermata.



Nota per le specifiche

■ Sezione Bluetooth

Frequenza

: 2,402 – 2,480 GHz

Potenza di uscita RF (E.I.R.P.)

: +4 dBm (MAX), Classe di potenza 2

■ Generali

Tensione di esercizio

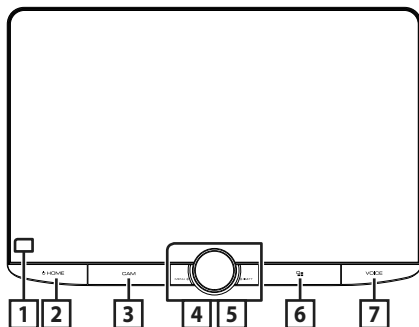
: Batteria auto da 12 V CC

Impedenza altoparlante

: 4 – 8 Ω

Funzioni di base

Funzioni dei tasti sul pannello frontale



NOTA

• Le immagini dei pannelli riportate in questo manuale sono esempi utilizzati per spiegare in modo chiaro il funzionamento. Per questo motivo, possono differire dagli effettivi pannelli.

Denominazione	Funzione
1 Sensore remoto	• Riceve il segnale del telecomando.
2 HOME/⏻	• Viene visualizzata la schermata HOME (P.87). • Premendolo per 1 secondo disinserisce l'alimentazione. • Quando l'alimentazione è disinserita, la inserisce.
3 CAMERA	• Abilita/disabilita il display della telecamera di visualizzazione.
4 MENU/ATT	• Visualizza la schermata del menu a comparsa. • Premendo per 1 secondo si commuta l'attenuazione del volume tra attivata e disattivata.
5 Manopola volume	• Regola il volume.
6	• Visualizza la schermata APP (Apple CarPlay/Android Auto/Wireless Mirroring). • Mentre è visualizzata la schermata APP, passa alla schermata di controllo della sorgente attuale.

Denominazione	Funzione
7 VOICE	• Attiva e disattiva la funzione di riconoscimento vocale. • Quando né Apple CarPlay, né Android Auto, né un telefono vivavoce Bluetooth sono collegati, premendo e tenendo premuto viene visualizzata la finestra di dialogo di attesa accoppiamento Bluetooth.

Accensione dell'unità

1 Premere il tasto HOME/⏻.



➤ L'unità si accende.

● Per spegnere l'unità:

1 Premere il tasto HOME/⏻ per 1 secondo.

Regolazione della data e dell'ora

1 Premere il tasto HOME/⏻.

2 Sfiurare

3 Sfiurare SETUP.

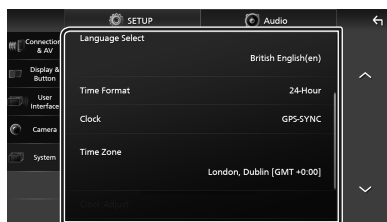
➤ Viene visualizzata la schermata SETUP Menu.

4 Sfiurare System.

➤ Appare il menu di impostazione sistema.

5 Impostare ogni voce come segue.

Scorrere la pagina per visualizzare le voci nascoste.



■ Time Format

Selezionare il formato di visualizzazione dell'ora.

12-Hour / 24-Hour (Predefinito)

■ Clock

GPS-SYNC (predefinito): sincronizza l'ora dell'orologio con il GPS.

Manual: Impostare l'orologio manualmente.

■ Time Zone

Selezionare il fuso orario.

■ Clock Adjust

Se si seleziona **Manual** per Orologio, regolare data e ora manualmente. (P.87)

NOTA

- Impostare la data e l'ora. Se non sono impostate, alcune funzioni potrebbero non essere disponibili.

● Impostare manualmente la data e l'ora

- 1 Sfiocare **Clock Adjust** nel menu di impostazione sistema.
- 2 Regolare la data, quindi regolare l'ora.



- 3 Sfiocare **Set**.

Schermata HOME

La maggior parte delle funzioni può essere eseguita dalla schermata HOME.

- 1 Premere il tasto **HOME**/⏏.



- 1 • Widget
- 2 • Visualizza la schermata di selezione sorgente.
- 3 • Visualizza la schermata del menu CONFIGURAZIONE.
- 4 • Icone di scorciatoia delle sorgenti di riproduzione

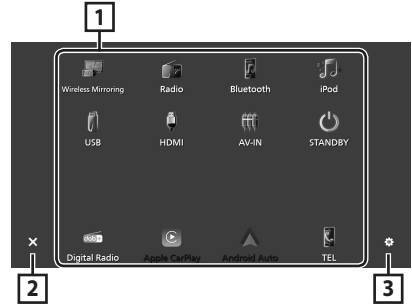
■ Descrizione della schermata di selezione sorgente

Sulla schermata di selezione sorgente è possibile visualizzare le icone di tutte le sorgenti e le opzioni di riproduzione.

- 1 Premere il tasto **HOME**/⏏.
 - Compare la schermata HOME.

- 2 Sfiocare .

Da questa schermata, è possibile selezionare le seguenti sorgenti e funzioni.

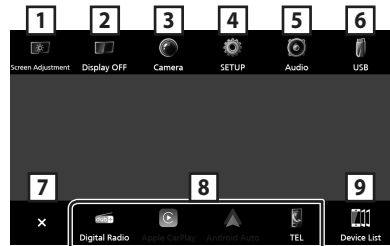


- 1 • Cambia le sorgenti di riproduzione.
- 2 • Ritorna alla schermata precedente.
- 3 • Visualizza la schermata del menu CONFIGURAZIONE.

Menu a comparsa

- 1 Premere il tasto **MENU**/ATT.
 - Viene visualizzato il menu a comparsa.

- 2 Sfiocare per visualizzare il menu a comparsa.



Le voci del menu sono le seguenti.

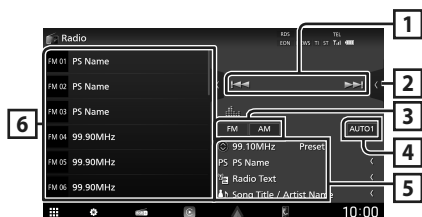
- 1 • Visualizza la schermata di Regolazione schermata.
- 2 • Spegne il display.
- 3 • Visualizza la schermata Telecamera di visualizzazione.
- 4 • Visualizza la schermata del menu CONFIGURAZIONE.
- 5 • Visualizza la schermata Audio.

Funzioni di base

6	• Viene visualizzata la schermata di controllo della sorgente corrente. L'icona varia a seconda della sorgente. Questa icona rappresenta la sorgente USB.
7	• Chiudere il menu a comparsa.
8	• Icone sorgente di scelta rapida:
9	• Visualizza l'elenco dei dispositivi Android Auto. Questa icona appare solo quando Android Auto è collegato e due o più dispositivi possono essere utilizzati come sorgente di Android Auto.

Radio

Per ascoltare la sorgente Radio, sfiorare l'icona **Radio** sulla schermata di selezione sorgente. (P.87)



1 Tasti operativi

- **◀ ▶** : Sintonizza una stazione. Il metodo di commutazione delle frequenze può essere modificato (vedere **4** Modalità ricerca).

2 Pannello delle funzioni

Sfiorare la parte destra dello schermo per visualizzare il pannello delle funzioni. Sfiorare nuovamente per chiudere il pannello.

- **TI** (solo FM): Seleziona la modalità Informazioni sul traffico.
- **SETUP** (solo FM): Visualizza la schermata IMPOSTAZIONE Radio.
- **AME**: Preseleziona le stazioni automaticamente.
- **PTY** (solo FM): Ricerca un programma per tipo di programma.
- **MONO** (solo FM): Seleziona la modalità di ricezione monofonica.
- **LO.S** (solo FM): Attiva o disattiva la sintonizzazione delle emittenti locali.

3 Tasti banda

Commuta le bande (tra FM e AM).

4 Modalità di ricerca

Toccare per commutare la modalità di ricerca nella sequenza seguente: **AUTO1**, **AUTO2**, **MANUAL**.

- **AUTO1** : Consente di sintonizzare automaticamente una stazione con una buona ricezione.
- **AUTO2** : Si sintonizza sulle stazioni in memoria una dopo l'altra.
- **MANUAL** : Cambia manualmente alla frequenza successiva.

5 Visualizzazione delle informazioni

- Visualizza le informazioni sulla stazione attuale: Frequenza
N. preselezione: Numero preselezione

6 Elenco stazioni memorizzate

- Quando si sfiora **◀ / ▶** è possibile modificare le dimensioni di visualizzazione.
- Richiama la stazione memorizzata.
- Se sfiorato per 2 secondi, memorizza la stazione attualmente in ricezione.

Memorizzazione automatica

Consente di memorizzare automaticamente le stazioni che offrono una buona ricezione.

- 1** Sfiorare il tasto della banda desiderata (**FM / AM**).
- 2** Sfiorare **▶** sul lato sinistro dello schermo.
Sfiorare **AME**.
- 3** Sfiorare **Yes**.
▶ Inizia la memorizzazione automatica.

Radio digitale

Per ascoltare la sorgente Radio digitale, sfiorare l'icona **Digital Radio** sulla schermata di selezione sorgente. (P.87)



1 Tasti operativi

- **Q** : Visualizza la schermata dell'elenco servizi.
- **◀ ▶** : Sintonizza l'etichetta gruppo, l'etichetta servizio e il componente. Il metodo di ricerca può essere modificato. (vedere **3** Modalità di ricerca).

2 Pannello delle funzioni

Sfiorare la parte destra dello schermo per visualizzare il pannello delle funzioni. Sfiorare nuovamente per chiudere il pannello.

- **TI**: Seleziona la modalità Informazioni sul traffico.
- **SETUP**: Visualizza la schermata CONFIGURAZIONE radio digitale.
- **PTY**: Ricerca un programma per tipo di programma.
- **DLS**: Visualizzare la schermata segmento Dynamic Label (Etichetta dinamica).

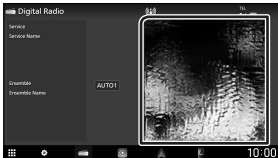
3 Modalità di ricerca

Sfiorare per commutare la modalità di ricerca nella sequenza seguente: **AUTO1**, **AUTO2**, **MANUAL**.

- **AUTO1**: Sintonizza automaticamente un ensemble con buona ricezione.
- **AUTO2**: Si sintonizza sui gruppi in memoria uno dopo l'altro.
- **MANUAL**: Consente di passare manualmente all'ensemble successivo.

4 Visualizzazione delle informazioni

- Visualizza le informazioni sulla stazione attuale: Nome del servizio
- Sfiorare per commutare tra la schermata di Controllo e la schermata Informazioni.



5 Elenco stazioni memorizzate

- Quando si sfiora **</>** è possibile modificare le dimensioni di visualizzazione.
- Richiama l'etichetta servizio memorizzata.
- Se sfiorato per 2 secondi, memorizza il servizio attualmente in ricezione.

USB/iPod/iPhone

Collegamento di un dispositivo USB/iPod/iPhone

- 1 Collegare il dispositivo USB con il cavo USB. (P.101)
Collegare iPod/iPhone utilizzando KCA-iP103. (P.102)

- 2 Premere il tasto **HOME** / **⏻**.

- 3 Sfiorare **⏏**.

- 4 Sfiorare **USB** o **iPod**. (P.87)

Disconnessione di un dispositivo USB/iPod/iPhone

- 1 Premere il tasto **HOME** / **⏻**.

- 2 Sfiorare una sorgente diversa da **USB**.

- 3 Staccare il dispositivo **USB/iPod/iPhone**.

Funzionamento di base



1 Tasti operativi

- **🔍**: Cerca un brano/un file.
- **◀▶**: Cerca il brano/file precedente/successivo.
- **⏮⏭**: Riproduce o mette in pausa.

2 Elenco contenuti

- Sfiorare il lato sinistro dello schermo per visualizzare l'elenco dei contenuti. Sfiorare nuovamente per chiudere l'elenco.
- Visualizza l'elenco in riproduzione. Quando si sfiora il nome di una traccia o di un file si avvia la riproduzione.

3 Informazioni brano

- Visualizza le informazioni sul file corrente.

4 Pannello funzioni (solo USB)

Sfiorare la parte destra dello schermo per visualizzare il pannello delle funzioni. Sfiorare nuovamente per chiudere il pannello.

- **⏪** **⏩**: Ricerca la cartella precedente/successiva.

Schermata video (solo USB)



5 Area ricerca file (solo file video)

Sfiorare per ricercare il file successivo/precedente.

6 Area visualizzazione tasti (solo file video)

Sfiorare per visualizzare la schermata di controllo.

Funzione di ricerca

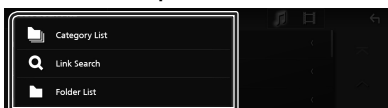
È possibile ricercare file musicali o video con le funzioni indicate di seguito.

1 Sfiorare **Q**.

2 Sfiorare **▼**.

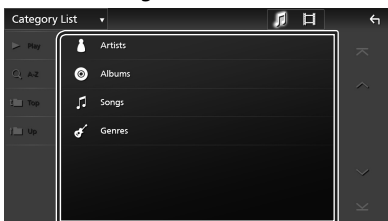


3 Selezionare un tipo di elenco.



4 Selezionare se ricercare file audio **🎵** o file video **📺**. (Solo USB)

5 Sfiorare la categoria desiderata.



➤ Viene visualizzato l'elenco corrispondente alla selezione effettuata.

6 Sfiorare per selezionare la voce desiderata dall'elenco. Ripetere l'operazione fino a trovare il file desiderato.

Controllo Bluetooth

Con la funzione Bluetooth è possibile utilizzare varie funzioni quali ascoltare file audio ed effettuare/ricevere una chiamata.

Registrare il dispositivo Bluetooth

Prima di usare la funzione Bluetooth, è necessario registrare il lettore audio o lo smartphone/telefono cellulare Bluetooth in questa unità.

Si possono registrare fino a 10 dispositivi Bluetooth.

NOTA

• Possono essere registrati fino a 10 dispositivi Bluetooth. Se si tenta di registrare l'11° dispositivo Bluetooth, il dispositivo Bluetooth che è stato connesso per primo verrà eliminato per registrare l'11°.

1 Premere il tasto **HOME / ⏻**.

2 Sfiorare **⚙️**.

3 Sfiorare **SETUP**.

➤ Viene visualizzata la schermata SETUP Menu.

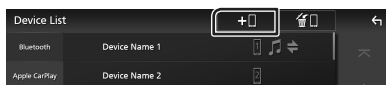
4 Sfiorare **Connections & AV**.

5 Sfiorare **Device List**.

6 Selezionare un tipo di dispositivo.

7 Sfiorare **+ []**.

➤ Viene visualizzata la finestra di dialogo attesa di accoppiamento Bluetooth.

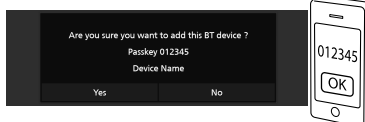


8 Ricercare l'unità ("DMX9720XDS") dal proprio smartphone/telefono cellulare.

Completare i passaggi da 8 a 10 entro 30 secondi.

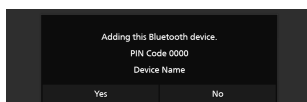
9 Utilizzare il proprio smartphone/telefono cellulare in base ai messaggi visualizzati.

● **Confermare la richiesta sullo smartphone/telefono cellulare.**



● **Inserire il codice PIN nel proprio smartphone/telefono cellulare.**

Il codice PIN è impostato, in modo predefinito, a "0000".




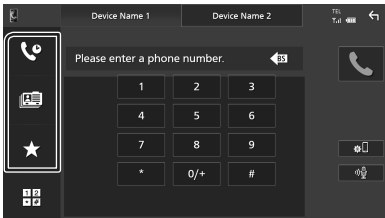
10 Sfiorare **Yes**.





Utilizzo dell'unità vivavoce

Le funzioni del telefono possono essere utilizzate collegando il telefono Bluetooth a questa unità.


Effettuare una chiamata

- 1 Premere il tasto **HOME** / **⏻**.
- 2 Sfiore .
- 3 Sfiore **TEL.**
 - Viene visualizzata la schermata Vivavoce.
- 4 Selezionare un metodo di composizione.




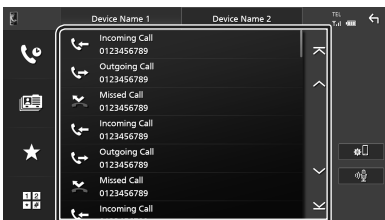
- : Chiamata utilizzando i registri delle chiamate
- : Chiamata mediante rubrica telefonica
- : Chiamata mediante numero preselezionato
- : Chiamata tramite inserimento di un numero di telefono

Chiamata tramite inserimento di un numero di telefono



- 1 Sfiore .
- 2 Inserire un numero telefonico utilizzando i tasti numerici.
- 3 Sfiore .

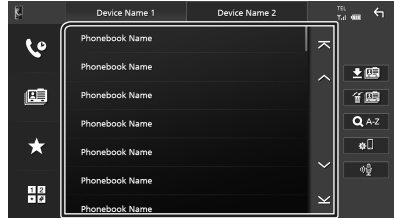
Chiamata utilizzando l'elenco delle chiamate

- 1 Sfiore .
- 2 Selezionare il numero telefonico dall'elenco.




Chiamata mediante rubrica telefonica

- 1 Sfiore .
- 2 Sfiore .
- 3 Selezionare l'iniziale.
 - I caratteri senza un nome corrispondente non verranno visualizzati.
- 4 Selezionare la persona che si desidera chiamare dall'elenco.





- 5 Selezionare il numero telefonico dall'elenco.

Chiamate mediante numeri memorizzati

- 1 Sfiore .
- 2 Sfiore il nome o il numero di telefono.



Ricevere una chiamata

- 1 Sfiore  per rispondere a una chiamata telefonica o  per rifiutare una chiamata in arrivo.



Per terminare una chiamata

- 1 Durante la conversazione, sfiorare .

Collegamenti/ Installazione

Questa sezione è dedicata all'installatore professionista.

Per motivi di sicurezza, affidare il cablaggio e il montaggio a professionisti. Consultare il rivenditore di audio per automobili.

Prima dell'installazione

Prima dell'installazione di quest'unità, osservare le seguenti precauzioni.

▲AVVERTENZE

- Se si collega il cavo di accensione (rosso) e il cavo della batteria (giallo) al telaio della vettura (massa), si potrebbe provocare un cortocircuito, dal quale potrebbe scaturire un incendio. Collegare sempre questi cavi all'alimentazione passante per la scatola fusibili.
- Non escludere il fusibile dal cavo di accensione (rosso) e dal cavo della batteria (giallo). L'alimentazione deve essere collegata ai cavi tramite il fusibile.

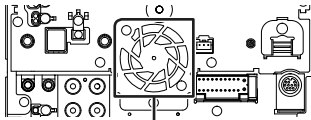
▲ATTENZIONE

- Installare quest'unità nella console del veicolo. Durante e immediatamente dopo l'uso dell'unità non sfiorare la parte metallica dell'unità stessa, poiché la temperatura delle parti metalliche, per esempio il termodispersore e il contenitore, può diventare molto alta.

NOTA

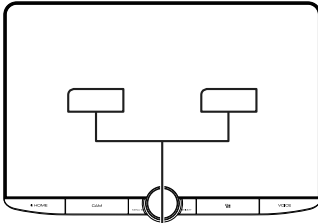
- Il montaggio e i collegamenti elettrici di questo prodotto richiedono competenza ed esperienza. Per garantire la massima sicurezza, affidare il montaggio e i collegamenti elettrici a tecnici qualificati.
- Non installare l'unità se diventa un ostacolo alle prestazioni del conducente.
- Regolare la posizione del pannello in modo da non diventare un ostacolo alle prestazioni del conducente.
- Collegare l'unità a massa ad un'alimentazione negativa a 12 V c.c.
- Non installare l'unità in un punto esposto alla luce solare diretta o a calore o umidità eccessivi. Evitare anche luoghi troppo polverosi o esposti a possibili spruzzi d'acqua.

- Non usare viti di tipo diverso; utilizzare soltanto quelle fornite in dotazione. L'uso di viti non idonee potrebbe danneggiare l'unità.
- Se l'unità non è accesa ("There is an error in the speaker wiring. Please check the connections." (C'è un errore nel cablaggio dell'altoparlante. Controllare i collegamenti.), è possibile che il cavo dell'altoparlante sia in corto o a contatto con il telaio e che la funzione di protezione si sia attivata. Controllare quindi il cavo dell'altoparlante.
- Se l'accensione della vettura non prevede la posizione ACC, collegare i cavi dell'accensione ad un'alimentazione commutabile mediante la chiave di accensione. Se si collega il cavo di accensione ad un'alimentazione a tensione costante, come i cavi della batteria, la batteria potrebbe scaricarsi.
- Se la consolle ha un coperchio, il coperchio non si chiude, neanche quando l'unità è installata correttamente.
- Se il fusibile si brucia, verificare prima di tutto se l'eventuale contatto dei cavi ha provocato un cortocircuito, quindi sostituire il fusibile con uno di capacità identica.
- Isolare i cavi scollegati con nastro vinilico o un materiale simile. Per evitare cortocircuiti, non rimuovere i cappucci alle estremità dei cavi scollegati o dei terminali.
- Collegare correttamente i cavi degli altoparlanti ai corrispondenti terminali. L'unità potrebbe danneggiarsi o smettere di funzionare se si condividono i cavi ⊖ o se li si collega a terra a qualsiasi parte metallica nel veicolo.
- Se al sistema sono collegati soltanto due altoparlanti, collegare i connettori ad entrambi i terminali di uscita anteriori o ad entrambi i terminali di uscita posteriori (non collegare contemporaneamente ai terminali anteriori e posteriori). Per esempio, se si collega il connettore ⊕ dell'altoparlante sinistro a un terminale di uscita anteriore, non collegare il connettore ⊖ a un terminale di uscita posteriore.
- Dopo l'installazione dell'unità, controllare il corretto funzionamento di luci di arresto, lampeggiatori, tergilicristalli, ecc.
- Montare l'unità con un'angolazione non superiore a 30°.
- Quest'unità è dotata di ventola di raffreddamento per abbassare la temperatura interna. Non montare l'unità in un luogo che ostruisca la ventola di raffreddamento. L'ostruzione delle feritoie di ventilazione impedisce il raffreddamento con conseguente malfunzionamento dell'unità.



Ventola di raffreddamento

- Non premere con decisione sulla superficie del pannello durante l'installazione dell'unità sul veicolo, onde evitare possibili deformazioni, danni o anomalie.
- La presenza di oggetti metallici in prossimità dell'antenna Bluetooth può compromettere l'efficacia della ricezione.



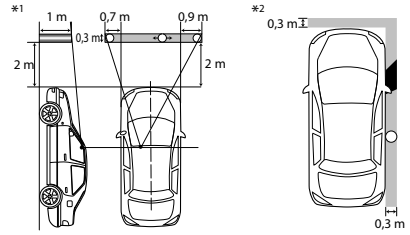
Unità antenna Bluetooth/Wi-Fi

■ Procedura di installazione

- 1) Per evitare cortocircuiti, estrarre la chiave dall'accensione e scollegare il morsetto ⊖ della batteria.
- 2) Rimuovere le parti del veicolo per installare l'unità e collegare i cavi al morsetto.
- 3) Effettuare le corrette connessioni dei cavi in ingresso e in uscita da ciascuna unità.
- 4) Determinare l'altezza dell'unità display e la posizione del cursore. Vedere **Distanza tra l'unità display e l'unità principale (P.94)**.
- 5) Prendere il connettore B dal cablaggio e collegarlo al connettore dell'altoparlante sul veicolo.
- 6) Prendere il connettore A dal cablaggio e collegarlo al connettore dell'alimentazione esterna sul veicolo.
- 7) Collegare il connettore del cablaggio all'unità.
- 8) Installare l'unità principale sul veicolo.
- 9) Reinstallare le parti del veicolo.
- 10) Installare l'unità display.
- 11) Ricollegare il terminale ⊖ della batteria.
- 12) Eseguire l'impostazione iniziale.
Vedere **CONFIGURAZIONE iniziale (P.6)** nel Manuale di istruzioni.

● Campi di visione anteriori e laterali

- Per determinare i campi di visione anteriore e laterale del conducente in condizioni normali, posizionare un paletto (direttamente visibile dalla parte anteriore o visibile attraverso lo specchietto retrovisore dell'automobile), come indicato in figura.



○ : Asta (altezza: 1 m, diametro: 0,3 m)

■ : Campo visivo dalla posizione dello sterzo

■ : Area esente (la dimensione dell'asta è soggetta a normativa)

- Per veicoli con guida a destra, gli standard sono invertiti.
- *1 Il paletto deve essere visibile dalla posizione del conducente come campo visivo diretto in avanti.
- *2 Il paletto deve essere visibile direttamente o indirettamente attraverso lo specchietto, ecc. dalla posizione del conducente.

■ Accessori in dotazione per l'installazione

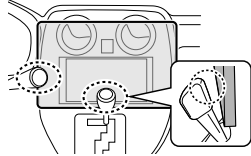
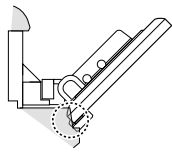
①		x1	⑧		x1
②		x1	⑨		x2
③		x1	⑩		x1
④		x1	⑪		x6
⑤		x2			
⑥		x1			
⑦		x1			

Installazione dell'unità

■ Confermare la posizione di installazione dell'unità display

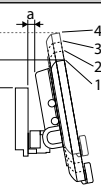
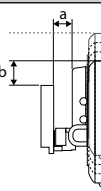
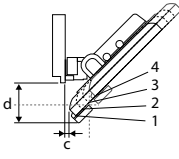
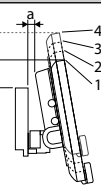
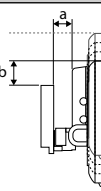
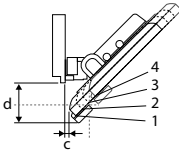
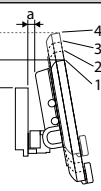
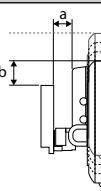
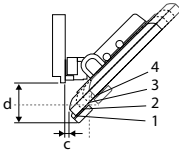
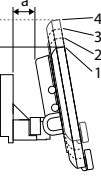
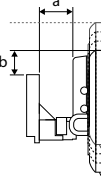
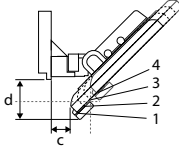
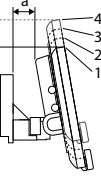
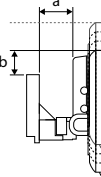
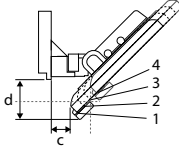
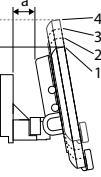
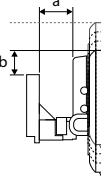
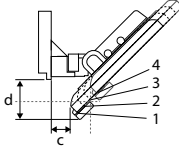
● Veicoli su cui è impossibile installare

Potrebbe essere possibile installare se si riesce a evitare quanto segue mediante la regolazione della posizione del cursore e dell'altezza del display.

Le operazioni delle leve, come la leva del cambio, la leva del tergicristallo, la leva delle quattro frecce, subiscono interferenze quando si installa l'unità.	Un interruttore luci di emergenza è nascosto dal sedile conducente.	L'unità display colpisce un pannello sul veicolo.
		

● Distanza tra l'unità display e l'unità principale

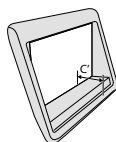
Regolare la posizione del cursore e l'altezza del display in modo che non interferiscano con il movimento del display.

Posizione del cursore	Angolo del display			Altezza del display				
	-10°	0°	45°	1	2	3	4	
Posizione posteriore				a	10			
				b	38,1	50,9	63,8	76,5
				a	26,7			
				b	34,7	47,7	60,7	73,7
				c	5,7	14,4	24,1	33,4
				d	55,4	46,3	37,1	27,8
Posizione anteriore				a	30,1			
				b	38,1	50,9	63,8	76,5
				a	46,7			
				b	34,7	47,7	60,7	73,7
				c	25,7	34,9	44,1	53,3
				d	55,4	46,3	37,1	27,8

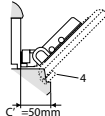
Unità: mm

Esempi

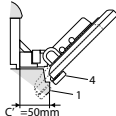
Pannello cluster sul veicolo



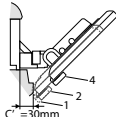
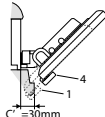
Cursore nella posizione posteriore



Cursore nella posizione anteriore



- C'= 50 mm;
Posizione del cursore: Posizione anteriore
Altezza del display: Impostare solo "4"

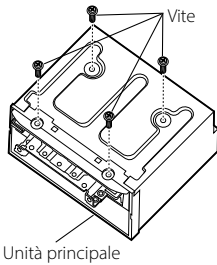


- C'= 30 mm;
Posizione del cursore: Posizione posteriore
Altezza del display: Impostare solo "4"

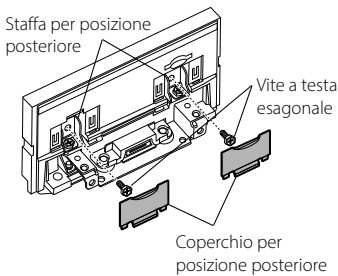
Posizione del cursore: Posizione anteriore
Altezza del display: Impostare "2"~"4"

■ Posizionare il cursore in avanti

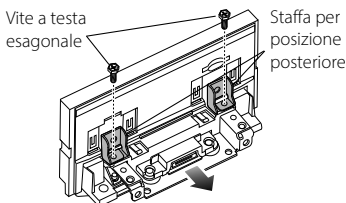
1 Rimuovere le quattro viti dalla parte inferiore dell'unità principale.



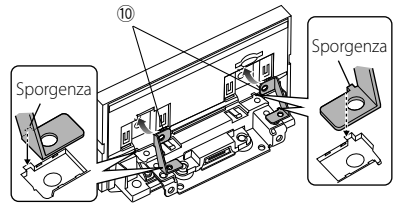
2 Rimuovere i due coperchi per la posizione posteriore, quindi rimuovere le due viti a testa esagonale dalla staffa della posizione posteriore.



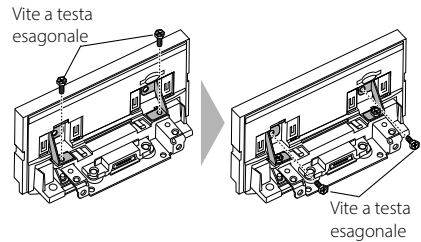
3 Tirare il blocco cursore in avanti e rimuovere le due viti a testa esagonale per rimuovere la staffa della posizione posteriore.



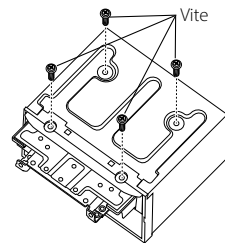
4 Installare la staffa della posizione anteriore (accessorio 10) in ciascun lato in modo che le sporgenze siano allineate con le fessure sull'unità principale.



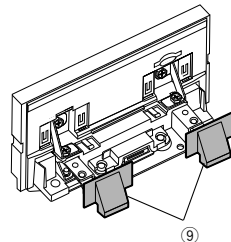
5 Fissare la staffa per la posizione anteriore sul blocco cursore con le due viti a testa esagonale. Spingere il blocco cursore finché non si arresta, quindi fissare la staffa per la posizione anteriore all'unità principale con le due viti a testa esagonale.



6 Reinstallare le quattro viti sulla parte inferiore dell'unità principale.

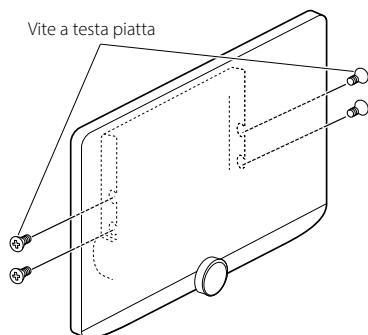


7 Installare il coperchio per la posizione anteriore (accessorio 9) in due posizioni, come indicato in figura.

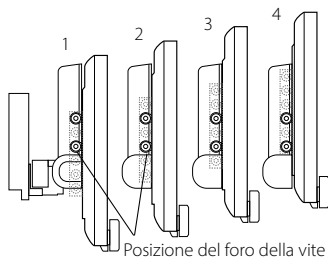


Regolazione dell'altezza del display

- 1 Rimuovere le quattro viti a testa piatta da entrambi i lati.



- 2 Regolare l'altezza del display in base alla posizione dei fori delle viti. L'impostazione predefinita è "1".



- 3 Reinstallare le quattro viti a testa piatta su entrambi i lati e fissare il display.

NOTA

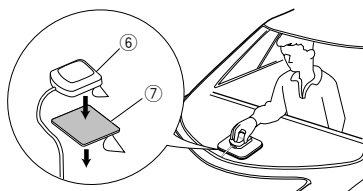
- Fissare correttamente con viti a testa piatta. Dopo aver installato l'unità display (accessorio ⑧) sull'unità principale, inclinare in avanti il display finché non si arresta e confermare che l'unità display (accessorio ⑧) non colpisca parti del veicolo. Se l'unità display colpisce parti del veicolo, regolare nuovamente l'altezza.

Antenna GPS

L'antenna GPS è montata all'interno del veicolo. Deve essere installata in posizione quanto più orizzontale possibile per agevolare la ricezione dei segnali satellitari del GPS.

Per montare l'antenna GPS all'interno del veicolo:

- 1) Pulire il cruscotto o la superficie interessata.
- 2) Rimuovere il separatore della piastra metallica (accessorio ⑦).
- 3) Premere in basso la piastra metallica (accessorio ⑦) con decisione sul cruscotto o su un'altra superficie di montaggio. Se necessario, è possibile piegare la piastra metallica (accessorio ⑦) per adattarla a una superficie curva.
- 4) Rimuovere il separatore dell'antenna GPS (accessorio ⑥) e attaccare l'antenna alla piastra metallica (accessorio ⑦).

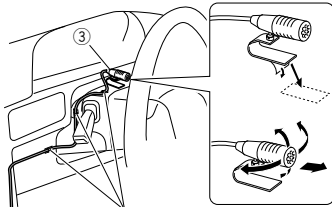


NOTA

- Utilizzare l'antenna GPS in dotazione. L'utilizzo di un'antenna GPS diversa da quella in dotazione può causare un calo di precisione di posizionamento.
- A seconda del tipo di vettura, la ricezione dei segnali satellitari del GPS potrebbe non essere possibile in caso di installazione interna.
- Installare questa antenna GPS in un'area distante da antenne utilizzate con radio CB o televisioni satellitari.
- L'antenna GPS deve essere installata in una posizione distante almeno 30 cm da smartphone/ telefoni cellulari o altre antenne di trasmissione. Questi dispositivi di comunicazione possono interferire con i segnali trasmessi dal satellite GPS.
- La verniciatura dell'antenna GPS con una vernice (metallica) può comprometterne le prestazioni.

Microfono

- 1 Controllare la posizione di installazione del microfono (accessorio ③).
- 2 Pulire la superficie di installazione.
- 3 Rimuovere il separatore del microfono (accessorio ③) e attaccare il microfono nel punto mostrato di seguito.
- 4 Collegare il cavo del microfono fino all'unità, fissandolo in vari punti con nastro adesivo o altri metodi di fissaggio.
- 5 Regolare la direzione del microfono (accessorio ③) rispetto al guidatore.



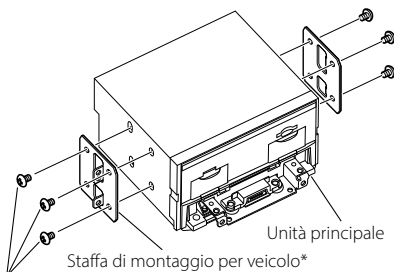
Fissare un cavo con un nastro normalmente reperibile in commercio.

Installazione dell'unità principale

NOTA

- Determinare la posizione del cursore prima di installare l'unità principale. (P.95) La posizione del cursore non può essere modificata dopo averlo installato sul veicolo.
- Assicurarsi che l'unità sia installata saldamente in posizione. Se l'unità è instabile, potrebbe non funzionare correttamente (ad esempio il suono potrebbe saltare).

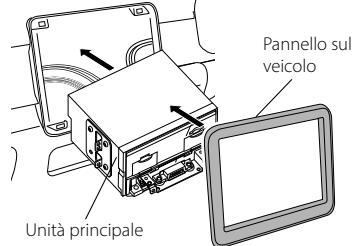
- 1 Rimuovere i componenti che interferiscono con l'installazione, per esempio un pannello del veicolo.
- 2 Installare la staffa di montaggio per veicolo sull'unità principale.



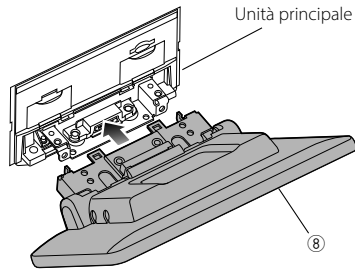
Vite* (M5 x 8 mm)

* Venduto separatamente

- 3 Collegare i cavi del cablaggio e le apparecchiature periferiche.
- 4 Installare l'unità principale sul veicolo.
- 5 Reinstallare le parti rimosse, per esempio un pannello sul veicolo.



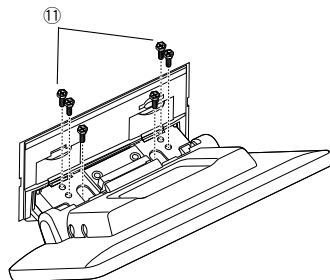
- 6 Installare l'unità display (accessorio ⑧) sull'unità principale.



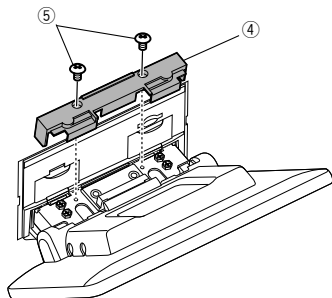
NOTA

- Se l'unità display colpisce un pannello sul veicolo, regolare l'altezza facendo riferimento a **Regolazione dell'altezza del display (P.96)**.

- 7 Fissare l'unità display con sei viti a testa esagonale (accessorio ⑪).



8 Fissare il coperchio di protezione (accessorio ④) alla parte di accoppiamento, quindi fissarlo con due viti a testa di fissaggio (accessorio ⑤).



NOTA

- Se il coperchio di protezione (accessorio ④) non è fissato, questa unità non si accenderà. Anche se l'unità è accesa, l'alimentazione potrebbe essere disattivata a metà corsa. Assicurarsi di applicare il coperchio di protezione (accessorio ④).

9 Sollevare il display manualmente.

Guida alle funzioni dei connettori del cablaggio (accessorio ①)

Contatto	Colori e funzioni	
A-4	Giallo	Batteria
A-5	Blu/Bianco [2]	Comando alimentazione
A-6	Arancione/ bianco	Dimmer/ Attenuazione
A-7	Rosso	Accensione (ACC)
A-8	Nero	Collegamento a terra (massa)
B-1/B-2	Viola (+)/viola/nero (-)	Posteriore destro
B-3/B-4	Grigio (+)/grigio/nero (-)	Anteriore destro
B-5/B-6	Bianco (+)/bianco/nero (-)	Anteriore sinistro
B-7/B-8	Verde (+)/verde/nero (-)	Posteriore sinistro

*Impedenza altoparlanti: 4-8 Ω

[1] [2]: Il cavo blu/bianco è dotato di due cavi, [1] e [2].

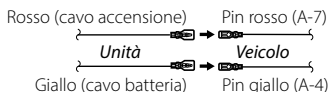
Uscita totale del cavo blu/bianco ([1] + [2]):
12 V \approx 350 mA

AVVERTENZA per collegare il connettore ISO

La disposizione dei pin sui connettori ISO dipende dal tipo di veicolo. Accertarsi di effettuare correttamente i collegamenti per non danneggiare l'unità. Il collegamento predefinito per il cablaggio è descritto al punto (1) seguente. Se i pin dei connettori ISO sono disposti come indicato al punto (2), effettuare il collegamento come indicato in figura. Ricollegare il cavo come indicato al punto (2) per installare questa unità su veicoli Volkswagen, ecc.

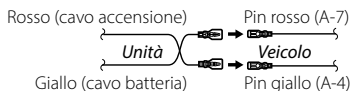
(1): Impostazione predefinita

Il pin rosso (A-7n) del connettore ISO del veicolo è collegato all'accensione e quello giallo (A-4) è collegato all'alimentazione costante.

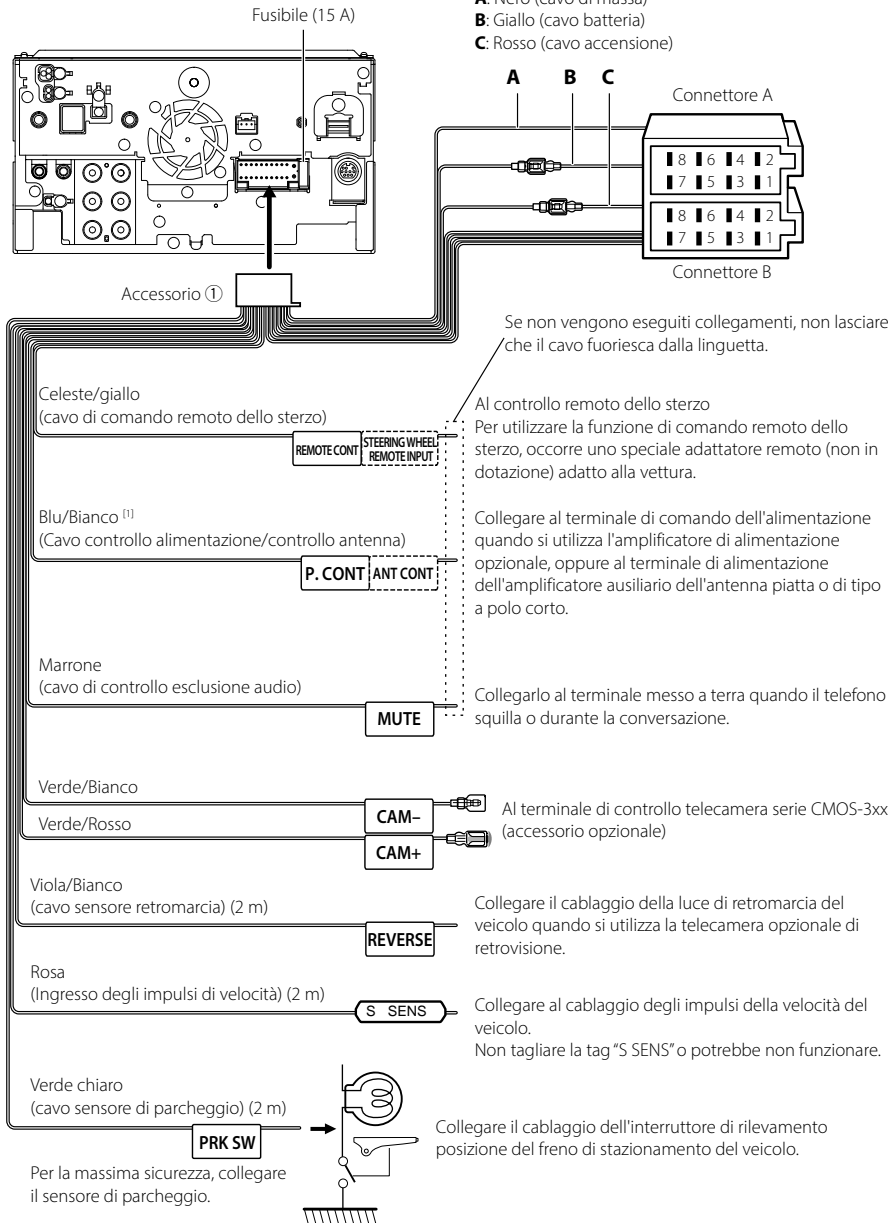


(2)

Il pin rosso (A-7) del connettore ISO del veicolo è collegato all'alimentazione costante e quello giallo (A-4) all'accensione.

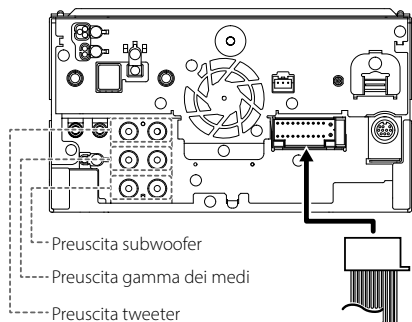


■ Collegare i fili ai terminali

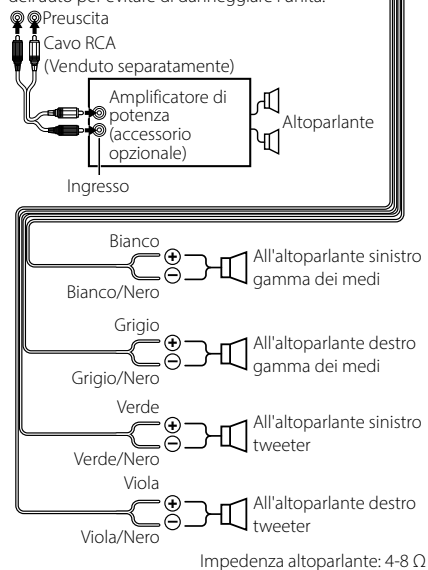


[1] [2]: Il cavo blu/bianco è dotato di due cavi, [1] e [2]. Uscita totale del cavo blu/bianco ([1] + [2]): 12 V \approx 350 mA

Configurazione del sistema altoparlanti a 3 vie



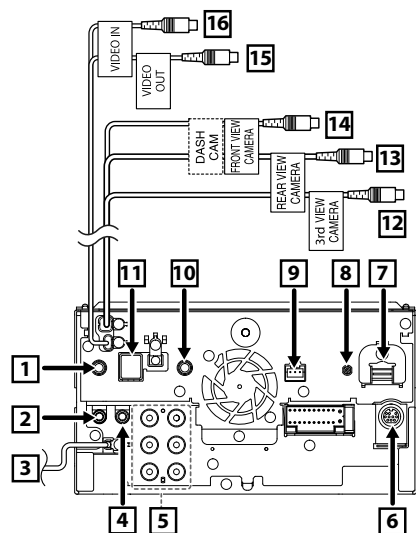
Quando si esegue il collegamento a un amplificatore esterno, collegare la massa al telaio dell'auto per evitare di danneggiare l'unità.



NOTA

- Per la configurazione del sistema di altoparlanti, vedere **Configurazione del sistema altoparlanti a 3 vie (P.57)** nel Manuale di istruzioni.
- Per la configurazione altoparlanti e la configurazione crossover, vedere **Impostazione altoparlante/X'over (Crossover) (P.58)** nel Manuale di istruzioni.
- Per il metodo di connessione dei cavi altoparlanti a terminali diversi dai terminali altoparlanti e dai terminali preuscita, vedere **Collegamento del sistema e dei componenti esterni (P.100)** e **Collegare i fili ai terminali (P.99)**.

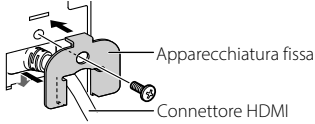
Collegamento del sistema e dei componenti esterni



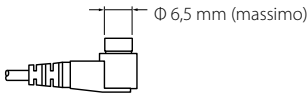
- | | |
|----------|---|
| 1 | Collegare il cablaggio del controllo remoto dello sterzo del veicolo. Contattare il rivenditore KENWOOD per informazioni dettagliate. |
| 2 | Accessorio ③: Microfono Bluetooth
 |
| 3 | Ingresso antenna FM/AM
 |
| 4 | Uscita audio AV (mini jack ø3,5) |
| 5 | Quando si esegue il collegamento a un amplificatore esterno, collegare la massa al telaio dell'auto per evitare di danneggiare l'unità.

<div style="display: flex; align-items: center;"> <div style="margin-right: 10px;"> </div> <ul style="list-style-type: none"> Preuscita audio posteriore (sinistra: bianco, destra: rosso) Preuscita audio anteriore (sinistra: bianco, destra: rosso) Preuscita subwoofer (sinistra: bianco, destra: rosso) </div> |
| 6 | I/F esterno
Corrente massima di alimentazione: 12 V $\overline{=}$ 500 mA |

- 7** Ingresso HDMI
Usare il cavo HDMI KCA-HD100 (accessorio opzionale).
Quando si collega il cavo al terminale HDMI, rimuovere l'apparecchiatura fissa. Dopo aver collegato il cavo, ricollocare l'apparecchiatura fissa.



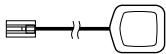
- 8** Antenna Radio digitale CX-DAB1 (accessorio opzionale)
⚠
Si raccomanda l'uso di CX-DAB1 (accessorio opzionale) come antenna per Radio digitale. Se si desidera utilizzare antenne per Radio digitale disponibili in commercio, il diametro del connettore SMB deve essere pari o inferiore a $\Phi 6,5$ mm.



- 9** Interfaccia telecamera sul cruscotto
Connettere a una telecamera sul cruscotto DRV-N520 (accessorio opzionale). (P.103)

- 10** Ingresso audio AV (mini jack $\phi 3,5$)

- 11** Accessorio ⑥: Antenna GPS
Utilizzare l'antenna GPS in dotazione. L'utilizzo di un'antenna GPS diversa da quella in dotazione può causare un calo di precisione di posizionamento.



- 12** Ingresso 3a telecamera di visualizzazione (giallo). Vedere **Per configurare le impostazioni di assegnazione della telecamera (P.103)**.

- 13** Ingresso telecamera di visione posteriore (giallo) *¹

- 14** Ingresso telecamera di visione anteriore/telecamera sul cruscotto (giallo).*² Vedere **Per configurare le impostazioni di assegnazione della telecamera (P.103)**.

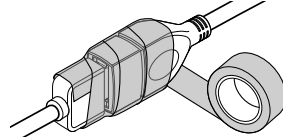
- 15** Uscita video (giallo)

- 16** Ingresso video (giallo)

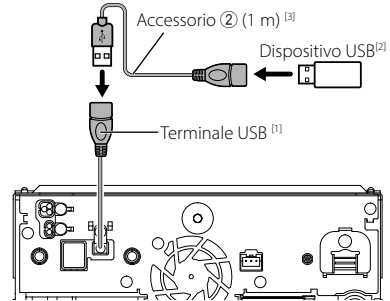
*² Collegare una videocamera HD al terminale di ingresso della telecamera di visione anteriore/telecamera sul cruscotto per utilizzare video HD.

■ Fissaggio del cavo di prolunga USB

Fissare il cavo di prolunga USB con nastro isolante o simili in modo che i suoi connettori non siano scollegati.



■ Connessione di un dispositivo USB



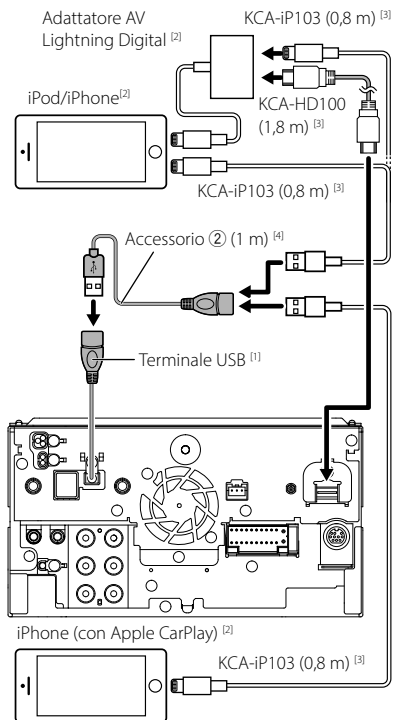
^① Corrente massima di alimentazione USB:
CC 5 V $\overline{\text{---}}$ 1,5 A

^② Venduto separatamente

^③ Vedere **Fissaggio del cavo di prolunga USB (P.101)**.

*¹ Collegare una videocamera HD al terminale di ingresso della telecamera di visione posteriore per utilizzare video HD.

Connesione di un iPod/iPhone



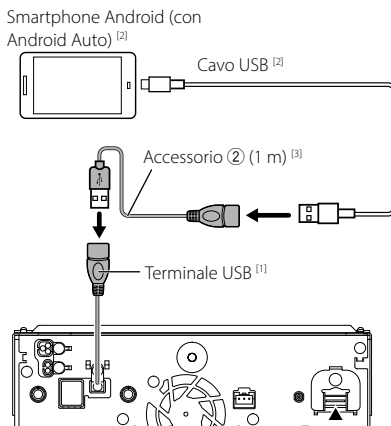
^[1] Corrente massima di alimentazione USB:
CC 5 V $\overline{=}$ 1,5 A

^[2] Venduto separatamente

^[3] Accessorio opzionale

^[4] Vedere **Fissaggio del cavo di prolunga USB (P.101)**.

Connesione di uno smartphone Android

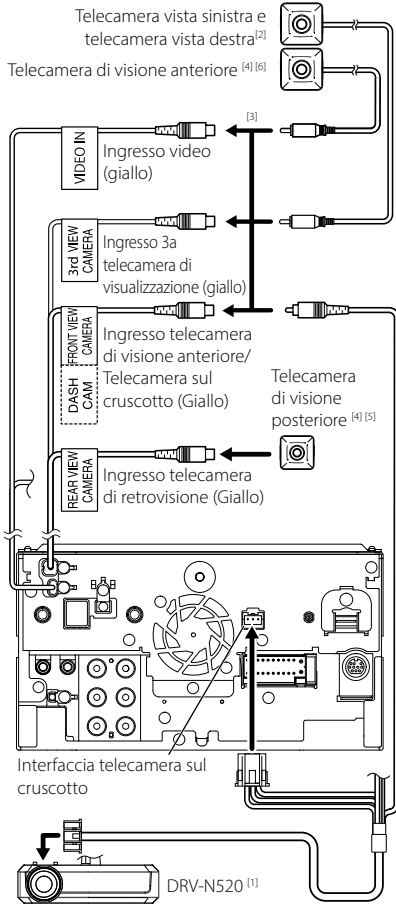


^[1] Corrente massima di alimentazione USB:
CC 5 V $\overline{=}$ 1,5 A

^[2] Venduto separatamente

^[3] Vedere **Fissaggio del cavo di prolunga USB (P.101)**.

Collegamento della telecamera



^[1] Accessorio opzionale

^[2] Venduto separatamente


^[3] Fino a 3 telecamere tra telecamera sul cruscotto, telecamera vista anteriore, telecamera vista lato sinistro e telecamera vista lato destro possono essere connesse. **(P.103)**

^[4] Serie CMOS-3xx (accessorio opzionale) o telecamera disponibile in commercio.

^[5] Per i video HD, una videocamera HD è utilizzata anche come telecamera di visione posteriore.

^[6] Per i video HD, una videocamera HD è utilizzata anche come telecamera di visione anteriore.

Per configurare le impostazioni di assegnazione della telecamera

- 1 Premere il tasto **HOME / ⏻**.
- 2 Sfiore .
- 3 Sfiore **SETUP**.
 - Viene visualizzata la schermata SETUP Menu.
- 4 Sfiore **Camera**.
 - Appare il menu di impostazione telecamera.
- 5 Toccare **Camera Assignment Settings**.
- 6 Selezionare l'elemento da configurare.

REAR VIEW CAMERA

Impostare l'assegnazione della telecamera dalla telecamera di visione collegata al terminale di ingresso telecamera di visione posteriore.

FRONT VIEW CAMERA / DASH CAM

Impostare l'assegnazione della telecamera di visualizzazione anteriore collegata al terminale di ingresso della telecamera di visualizzazione anteriore/telecamera sul cruscotto.

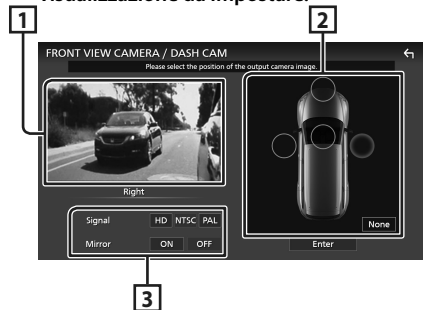
3rd VIEW CAMERA

Impostare l'assegnazione della telecamera dalla telecamera di visualizzazione collegata al terminale di ingresso 3a telecamera di visualizzazione.

VIDEO IN

Impostare l'assegnazione della telecamera dalla telecamera di visualizzazione collegata al terminale di ingresso video.

- 7 Selezionare la telecamera di visualizzazione da impostare.



1 **Picture from view camera**

2 **Camera position**

3 **Picture quality settings**

- 8 Sfiore **Enter**.

Contenido

Antes de la utilización	104
Acerca de la guía de inicio rápido.....	104
Precauciones	104
Cómo leer este manual.....	105
Operaciones de la pantalla táctil.....	105
Nota acerca de las especificaciones.....	105
Funciones básicas	106
Funciones de los botones del panel frontal....	106
Puesta en marcha de la unidad	106
Ajustes del calendario/reloj	106
Pantalla HOME (inicio).....	107
Menú emergente	107
Radio	108
Radio digital.....	108
USB/iPod/iPhone	109
Control de Bluetooth	110
Registre el dispositivo Bluetooth	110
Uso de la unidad de manos libres.....	111
Conexión/Instalación	112
Antes de la instalación.....	112
Instalación de la unidad	114

Antes de la utilización

Acerca de la guía de inicio rápido

- Esta Guía de inicio rápido describe las funciones básicas de esta unidad. Para las funciones no descritas en esta Guía, consulte el Manual de instrucciones en el siguiente sitio web:
<https://manual.kenwood.com/edition/im406/>



- El Manual de instrucciones está sujeto a cambios por modificaciones de las especificaciones, etc. Asegúrese de descargar la última edición del Manual de instrucciones a título de referencia.

Precauciones

▲ADVERTENCIAS

■ Para evitar lesiones o incendios, tome las precauciones siguientes:

- Para evitar un cortocircuito, nunca coloque ni deje objetos metálicos (como monedas o herramientas metálicas) dentro de la unidad.
- No mire fijamente la pantalla de la unidad mientras está conduciendo durante un periodo prolongado de tiempo.
- Si tiene problemas durante la instalación, consulte con su distribuidor KENWOOD.

■ Precauciones para el uso de esta unidad

- Cuando compre accesorios opcionales, pregunte a su distribuidor KENWOOD si dichos accesorios son compatibles con su modelo y en su región.
- Puede seleccionar el idioma de visualización de los menús, las etiquetas de archivos de audio, etc. Consulte **Configuración del sistema (P.56)** en el Manual de instrucciones.
- La función Radio Data System no funcionará en lugares donde no existan emisoras compatibles con este servicio.

■ Cómo proteger el monitor

- Para proteger el monitor de posibles daños, no lo utilice con un bolígrafo con punta de bola ni con ninguna herramienta similar de punta afilada.

■ Limpieza de la unidad

- Si la placa frontal de la unidad está manchada, límpiela con un paño suave y seco, como un paño de silicio. Si la placa frontal está muy manchada, límpiela con un paño humedecido con detergente neutro y, después, vuelva a limpiarla con un paño suave y seco.

NOTA

- Si aplica un limpiador en spray directamente sobre la unidad, podría dañar sus componentes mecánicos. Si limpia la placa frontal con un paño áspero o con líquido volátil, como disolvente o alcohol, puede rayar la superficie o borrar los caracteres impresos.

■ Obtención de la señal GPS

La primera vez que encienda esta unidad, debe esperar a que el satélite reciba las señales de satélite por primera vez. Este proceso podría durar varios minutos. Asegúrese de que su vehículo está en el exterior en una zona abierta apartado de edificios o árboles altos para una mejor recepción.

Después de que el sistema reciba las señales de satélite por primera vez, las sucesivas veces recibirá las señales más rápidamente.

■ Sobre GLONASS

Esta unidad utiliza el sistema de navegación global por satélite (GLONASS) además del GPS. La combinación del GPS y GLONASS puede aumentar la precisión de posicionamiento en comparación con usar solo el GPS.

■ Precauciones para usuarios de teléfonos inteligentes

Ejecutar simultáneamente múltiples aplicaciones en su teléfono inteligente mientras comparte pantalla implica una gran demanda en el microprocesador del teléfono, afectando potencialmente a la comunicación y al rendimiento.

Para obtener mejores resultados mientras empareja su receptor KENWOOD, por favor, asegúrese de cerrar cualquier aplicación no utilizada.

Cómo leer este manual

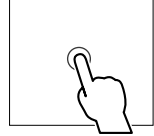
- Las pantallas y paneles que se incluyen en este manual son ejemplos utilizados para ofrecer explicaciones claras de las distintas operaciones. Por este motivo, pueden diferir de las pantallas o paneles reales, y algunos patrones de visualización también pueden ser diferentes de los reales.
- Idioma de la pantalla:** En este manual, se utiliza el inglés para las explicaciones. Puede seleccionar el idioma de la pantalla desde el menú **SETUP**. Consulte **Configuración del sistema (P.56)** en el Manual de instrucciones.

Operaciones de la pantalla táctil

Para realizar operaciones en la pantalla, deberá tocar, mantener pulsado, pasar o deslizar un dedo para seleccionar un elemento, visualizar la pantalla del menú de configuración o cambiar de página.

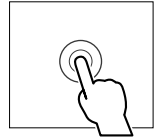
● Tocar

Toque suavemente la pantalla para seleccionar un elemento.



● Tocar y mantener pulsado

Toque la pantalla y continúe pulsando hasta que se cambie la visualización o se muestre un mensaje.



● Hojear

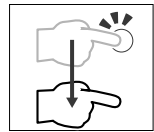
Deslice su dedo rápidamente hacia la izquierda o hacia la derecha de la pantalla para cambiar de página.



Puede desplazar la pantalla de lista pasando el dedo hacia arriba/abajo por la pantalla.

● Deslizar

Deslice el dedo hacia arriba o hacia abajo en la pantalla para desplazarse por la misma.



Nota acerca de las especificaciones

■ Sección de Bluetooth

Frecuencia

: 2,402 – 2,480 GHz

Potencia de salida de RF (PIRE)

: +4 dBm (MÁX.), potencia de clase 2

■ General

Voltaje de funcionamiento

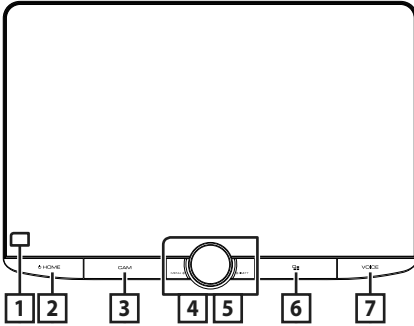
: batería de coche de 12 V CC

Impedancia del altavoz

: 4 – 8 Ω

Funciones básicas

Funciones de los botones del panel frontal



NOTA

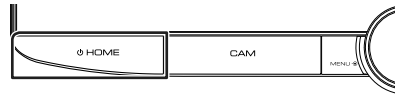
• Los paneles que se incluyen en este manual son ejemplos utilizados para ofrecer explicaciones claras de las distintas operaciones. Por esta razón, pueden diferir de los paneles reales

Nombre	Función
1 Sensor remoto	• Recibe la señal del mando a distancia.
2 HOME / ⏻	• Muestra la pantalla de inicio (P.107). • Pulsar durante 1 segundo apaga la alimentación. • Si la unidad está apagada, la enciende.
3 CAM	• Activa/desactiva la visualización de la cámara de visión.
4 MENU/ATT	• Muestra la pantalla de menú emergente. • Pulsar durante 1 segundo activa/desactiva la atenuación del volumen.
5 Mando del volumen	• Ajusta el volumen.
6 APP	• Muestra la pantalla APP (Apple CarPlay/Android Auto/Wireless Mirroring). • Mientras se visualiza la pantalla APP, cambia a la pantalla de control de la fuente actual.

Nombre	Función
7 VOICE	• Activa y desactiva la función de reconocimiento de voz. • Si no hay conectado un Apple CarPlay, Android Auto o un teléfono manos libres Bluetooth, mantener pulsado mostrará el cuadro de diálogo de espera de emparejamiento Bluetooth.

Puesta en marcha de la unidad

1 Pulse el botón HOME / ⏻.



➤ La unidad se pone en marcha.

● Para apagar la unidad:

1 Pulse el botón HOME / ⏻ durante 1 segundo.

Ajustes del calendario/reloj

1 Pulse el botón HOME / ⏻.

2 Toque

3 Toque **SETUP**.

➤ Aparece la pantalla SETUP Menu.

4 Toque **System**.

➤ Aparece el menú de ajustes del sistema.

5 **Ajuste cada elemento del modo siguiente.** Desplace la página para mostrar los elementos ocultos.



■ Time Format

Seleccione el formato de visualización de la hora.

12-Hour / 24-Hour (Predeterminado)

■ Clock

GPS-SYNC (predeterminado): Sincroniza la hora del reloj con GPS.

Manual: Ajuste el reloj manualmente.

■ Time Zone

Seleccione la zona horaria.

■ Clock Adjust

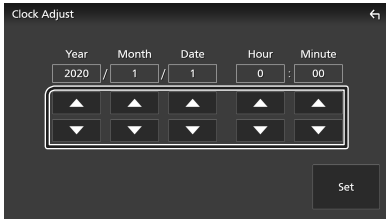
Si selecciona **Manual** para Reloj, ajuste manualmente la fecha y la hora. **(P.107)**

NOTA

- Por favor, configure la fecha y la hora. Si no se configuran, algunas funciones podrían no funcionar.

● Ajustar la fecha y la hora manualmente

- 1 Toque **Clock Adjust** en el menú de ajustes del sistema.
- 2 Ajuste la fecha y, a continuación, ajuste la hora.



- 3 Toque **Set**.

Pantalla HOME (inicio)

La mayoría de las funciones pueden ejecutarse desde la pantalla HOME (inicio).


- 1 Pulse el botón **HOME / ⏏**.



- | | |
|---|--|
| 1 | • Widget |
| 2 | • Muestra la pantalla de selección de fuente. |
| 3 | • Muestra la pantalla Menú de configuración. |
| 4 | • Iconos de acceso directo a la fuente de reproducción |

■ Descripción de la pantalla de selección de fuente

Puede visualizar iconos de todas las fuentes de reproducción y opciones en la pantalla de selección de fuente.

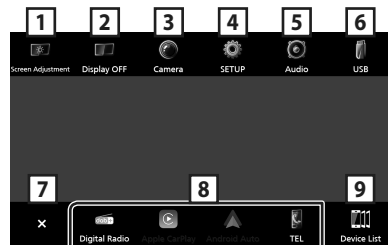
- 1 Pulse el botón **HOME / ⏏**.
➤ Aparece la pantalla INICIO.
- 2 Toque .
Desde la pantalla puede seleccionar las siguientes fuentes y funciones.



- | | |
|---|--|
| 1 | • Cambia las fuentes de reproducción. |
| 2 | • Regresa a la pantalla anterior. |
| 3 | • Muestra la pantalla Menú de configuración. |

Menú emergente

- 1 Pulse el botón **MENU / ATT**.
➤ Aparece el menú emergente.
- 2 Toque para visualizar el menú emergente.



El contenido del menú es el siguiente.

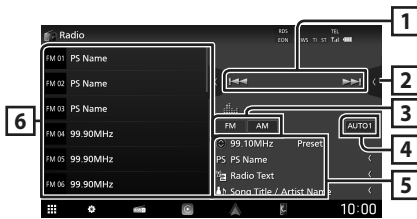
- | | |
|---|--|
| 1 | • Muestra la pantalla Ajuste de pantalla. |
| 2 | • Apaga la pantalla. |
| 3 | • Muestra la pantalla de vista de cámara. |
| 4 | • Muestra la pantalla Menú de configuración. |
| 5 | • Muestra la pantalla Audio. |

Funciones básicas

- | | |
|---|---|
| 6 | • Muestra la pantalla de control de la fuente actual. La forma del icono varía en función de la fuente. Este icono es para la fuente USB. |
| 7 | • Cierre el menú emergente. |
| 8 | • Iconos de fuente de acceso directo: |
| 9 | • Muestra la lista de dispositivos Android Auto. Este icono aparece solo cuando Android Auto está conectado y se pueden usar dos o más dispositivos como la fuente de Android Auto. |

Radio

Para escuchar la fuente de radio, toque el icono **Radio** en la pantalla de selección de fuente. (P.107)



1 Teclas de operación

- **◀▶**: Sintoniza una emisora. El método de cambio de frecuencia puede modificarse (consulte 4 Modo de búsqueda).

2 Panel de funciones

Toque el lado derecho de la pantalla para mostrar el panel de funciones. Toque de nuevo para cerrar el panel.

- **TI** (solo FM): Selecciona el modo de información del tráfico.
- **SETUP** (FM solamente): Muestra la pantalla CONFIGURACIÓN de la Radio.
- **AME**: Preajusta emisoras automáticamente.
- **PTY** (FM solamente): Busca un programa por tipo de programa.
- **MONO** (FM solamente): Selecciona el modo de recepción monoaural.
- **LO.S** (FM solamente): Activa o desactiva la función de búsqueda local.

3 Teclas de banda

Cambia las bandas (entre FM y AM).

4 Modo de búsqueda

Toque para cambiar al modo de búsqueda en la siguiente secuencia: **AUTO1**, **AUTO2**, **MANUAL**.

- **AUTO1**: Sintoniza automáticamente una emisora con buena recepción.
- **AUTO2**: Sintoniza las emisoras memorizadas una después de la otra.
- **MANUAL**: Cambia a la frecuencia siguiente manualmente.

5 Pantalla de información

- Muestra información sobre la emisora actual: Frecuencia
Presintonía#: Número de presintonía

6 Lista de preselección

- Tocar **◀/▶** le permite cambiar el tamaño de la pantalla.
- Restaura la emisora memorizada.
- Si se toca durante 2 segundos, almacena en la memoria la emisora que está siendo actualmente recibida.

Memoria automática

Puede almacenar automáticamente en la memoria las emisoras con buena recepción.

1 Toque la tecla de la banda deseada (FM / AM).

2 Toque **▶** en el lado izquierdo de la pantalla. Toque **AME**.

3 Toque **Yes**.

- Se inicia la memoria automática.

Radio digital

Para escuchar la fuente de radio digital, toque el icono **Digital Radio** en la pantalla de selección de fuente. (P.107)



1 Teclas de operación

- **Q**: Muestra la pantalla Lista de servicios.
- **◀▶**: Sintoniza un conjunto, un servicio y un componente. El cambio del modo de búsqueda puede modificarse. (consulte 3 Modo de búsqueda).

2 Panel de funciones

Toque el lado derecho de la pantalla para mostrar el panel de funciones. Toque de nuevo para cerrar el panel.

- **TI**: Selecciona el modo de información del tráfico.
- **SETUP**: Muestra la pantalla Configuración de la Radio Digital.
- **PTY**: Busca un programa por tipo de programa.
- **DLS**: Visualizar la pantalla Dynamic Label Segment (segmento de etiqueta dinámica).

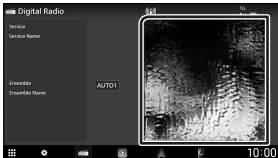
3 Modo de búsqueda

Toque para cambiar a los modos de búsqueda en la siguiente secuencia: **AUTO1**, **AUTO2**, **MANUAL**.

- **AUTO1**: Sintoniza automáticamente un conjunto con buena recepción.
- **AUTO2**: Sintoniza los conjuntos memorizados uno después de otro.
- **MANUAL**: Cambia al conjunto siguiente manualmente.

4 Pantalla de información

- Muestra información sobre la emisora actual: Nombre del servicio
- Toque para alternar entre las pantallas Control e Información.



5 Lista de preselección

- Tocar / le permite cambiar el tamaño de la pantalla.
- Restaura el servicio memorizado.
- Si se toca durante 2 segundos, almacena en la memoria el servicio que está siendo actualmente recibido.

USB/iPod/iPhone

1 Conexión de un dispositivo USB/iPod/iPhone

- 1 Conecte el dispositivo USB con el cable USB. (P.121)
Conecte el iPod/iPhone usando el KCA-iP103. (P.122)

- 2 Pulse el botón HOME / .

- 3 Toque .

- 4 Toque **USB** o **iPod**. (P.107)

1 Desconecte el dispositivo USB/iPod/iPhone

- 1 Pulse el botón HOME / .

- 2 Toque una fuente distinta a **USB**.

- 3 Desconecte el dispositivo USB/iPod/iPhone.

1 Funcionamiento básico



1 Teclas de operación

- : Busca una pista/un archivo.
- : Busca la pista o archivo anterior/siguiente.
- : Inicia la reproducción o hace una pausa.

2 Lista de contenido

- Toque el lado izquierdo de la pantalla para visualizar la lista de contenidos. Toque de nuevo para cerrar la lista.
- Muestra la lista de reproducción. Cuando toque el nombre de un archivo/pista en la lista, la reproducción se inicia.

3 Información de pista

- Muestra la información en el archivo actual.

4 Panel de funciones (solo USB)

Toque el lado derecho de la pantalla para mostrar el panel de funciones. Toque de nuevo para cerrar el panel.

- : Busca la carpeta anterior/siguiente.

Pantalla de vídeo (solo USB)



Control de Bluetooth

5 Zona de búsqueda de archivos (solo archivos de vídeo)

Toque para buscar el archivo siguiente/anterior.

6 Zona de visualización de teclas (solo archivos de vídeo)

Toque para visualizar la pantalla de control.

Operaciones de búsqueda

Puede buscar archivos de música o vídeo realizando las siguientes operaciones.

1 Toque **Q**.

2 Toque **▼**.

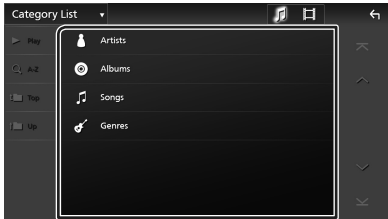


3 Seleccione un tipo de lista.



4 Seleccione si desea realizar la búsqueda de archivos de audio  o archivos de vídeo . (solo USB)

5 Toque la categoría deseada.



► Aparece la lista correspondiente a su selección.

6 Toque para seleccionar el elemento que desee de la lista. Repita este paso hasta encontrar el archivo que busca.

Control de Bluetooth

Usar la función Bluetooth le permite usar diversas funciones, como escuchar el archivo de audio y realizar/recibir llamadas.

Registre el dispositivo Bluetooth


Es necesario registrar el reproductor de audio Bluetooth o el teléfono inteligente/teléfono móvil con Bluetooth en esta unidad antes de usar la función Bluetooth.

Puede registrar hasta 10 dispositivos Bluetooth.

NOTA

- Pueden registrarse hasta 10 dispositivos Bluetooth. Si intenta registrar 11 dispositivos Bluetooth, el dispositivo Bluetooth conectado en la fecha más temprana será eliminado y reemplazado por el número 11.

1 Pulse el botón **HOME** / .

2 Toque .


3 Toque **SETUP**.

► Aparece la pantalla SETUP Menu.

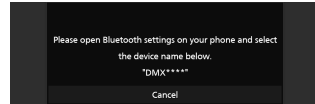
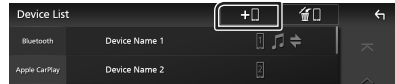
4 Toque **Connections & AV**.

5 Toque **Device List**.

6 Seleccione un tipo de dispositivo.

7 Toque .

► Aparecerá el cuadro de diálogo de espera de emparejamiento Bluetooth.

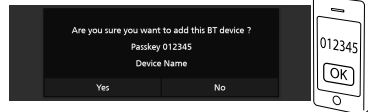


8 Busque la unidad ("DMX9720XDS") en su teléfono inteligente/móvil.

Complete los pasos 8 a 10 en 30 segundos.

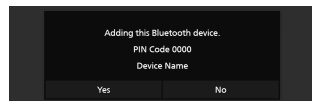
9 Accione su teléfono inteligente/móvil en conformidad con los mensajes visualizados.

● Confirme la solicitud en el teléfono inteligente/móvil.



● Introduzca el código PIN en su teléfono inteligente/móvil.

El código PIN está configurado como "0000" de forma predeterminada.




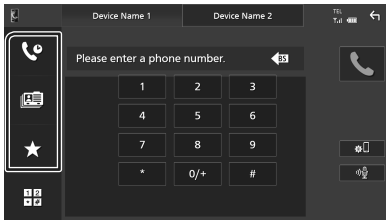
10 Toque **Yes**.





Uso de la unidad de manos libres

Puede usar la función de teléfono conectando un teléfono Bluetooth a esta unidad.



Haga una llamada

- 1 Pulse el botón **HOME** / **⏻**.
- 2 Toque .
- 3 Toque **TEL**.
 - Aparece la pantalla Manos libres.
- 4 Seleccione un método de marcación.




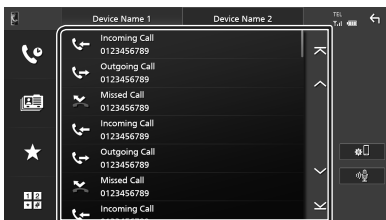
- : Llamar usando los registros de llamada almacenados
- : Llamar usando la agenda telefónica
- : Llamar usando el número preseleccionado
- : Llamar introduciendo un número telefónico

Llamar introduciendo un número telefónico



- 1 Toque .
- 2 Introducir un número de teléfono con las teclas numéricas.
- 3 Toque .

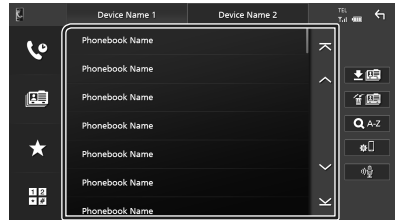
Llamar usando datos de llamada almacenados

- 1 Toque .
- 2 Seleccione el número de teléfono de la lista.




Llamar usando la agenda telefónica

- 1 Toque .
- 2 Toque .
- 3 Seleccione la inicial.
 - Los caracteres que no correspondan a ningún nombre no aparecen.
- 4 Seleccione en la lista la persona a la que desea llamar.




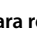
- 5 Seleccione el número de teléfono de la lista.

Llamar usando el número preseleccionado

- 1 Toque .
- 2 Toque el nombre o número de teléfono.



Reciba una llamada

- 1 Toque  para contestar una llamada telefónica o  para rechazarla.



Para finalizar una llamada

- 1 Mientras habla, toque .

Conexión/Instalación

Esta sección es para el instalador profesional. Por razones de seguridad, deje el cableado y el montaje a profesionales. Consulte al distribuidor de audio del automóvil.

Antes de la instalación

Antes de la instalación de esta unidad, tenga en cuenta las precauciones siguientes.

▲ADVERTENCIAS

- Si conecta el cable de encendido (rojo) y el cable de la batería (amarillo) al chasis del automóvil (tierra), podría producir un cortocircuito y esto, a su vez, un incendio. Conecte siempre esos cables a la fuente de alimentación que pasa por la caja de fusibles.
- No corte el fusible del cable de ignición (rojo) y el cable de la batería (amarillo). El suministro de energía debe conectarse a los cables por medio del fusible.

▲PRECAUCIÓN

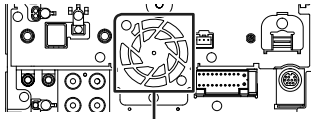
- Instale esta unidad en la consola de su vehículo. No toque la parte metálica de esta unidad durante e inmediatamente después del uso de la unidad. Las partes metálicas, tales como el dissipador de calor o la carcasa, pueden estar muy calientes.

NOTA

- La instalación y el cableado de este producto requieren habilidad y experiencia. Para mayor seguridad, deje el trabajo de montaje y cableado en manos de profesionales.
- No instale la unidad si se convierte en un obstáculo para la conducción.
- Ajuste la posición del panel de manera que no suponga un obstáculo para la conducción.
- Asegúrese de utilizar para la unidad una fuente de alimentación de 12 V CC con conexión a tierra negativa.
- No instale la unidad en un sitio expuesto a la luz directa del sol, o excesivamente húmedo o caluroso. Además deberá evitar sitios con mucho polvo o con posibilidad de salpicaduras de agua.
- No utilice sus propios tornillos. Utilice solo los tornillos suministrados. El uso de tornillos diferentes podría causar daños en la unidad.
- Si la alimentación no se enciende (se visualiza "There is an error in the speaker wiring. Please check the connections." (Hay un error en el

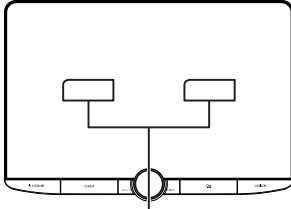
cableado del altavoz. Por favor, compruebe las conexiones)), puede que el cable del altavoz haya sufrido un cortocircuito o que haya tocado el chasis del vehículo y se haya activado la función de protección. Por lo tanto, el cable del altavoz debe ser revisado.

- Si el encendido de su automóvil no está provisto de la posición ACC, conecte los cables de encendido a una fuente de alimentación que pueda conectarse y desconectarse con la llave de encendido. Si conecta el cable de encendido a una fuente de alimentación con un suministro de voltaje constante, como con los cables de la batería, la batería puede agotarse.
- Si la consola tiene una tapa, esta no se cerrará aunque la unidad se haya instalado correctamente.
- Si se funden los fusibles, asegúrese primero de que los cables no están en contacto pues pueden ocasionar un cortocircuito, luego reemplace el fusible dañado por uno nuevo que tenga la misma potencia de servicio.
- Aísle los cables no conectados con una cinta de vinilo u otro material similar. Para evitar cortocircuitos, no retire las tapas de los extremos de los cables o terminales no conectados.
- Conecte los cables de los altavoces a cada uno de los terminales correspondientes. La unidad se puede dañar o no funcionar si comparte los cables ⊖ o los conecta a tierra a cualquier parte metálica del vehículo.
- Si se han conectado solamente dos altavoces al sistema, enchufe los conectores a ambos terminales de salida delanteros o a ambos terminales de salida traseros (es decir, no mezcle terminales delanteros y traseros). Por ejemplo, si conecta el conector ⊕ del altavoz izquierdo a un terminal de salida delantero, no conecte el conector ⊖ a un terminal de salida trasero.
- Después de instalar la unidad, compruebe que las luces de freno, las luces intermitentes, el limpiaparabrisas, etc. funcionan satisfactoriamente.
- Instale la unidad en un ángulo de 30° o menos.
- Esta unidad cuenta con un ventilador de refrigeración para reducir la temperatura interna. No monte la unidad en un lugar en el que el ventilador de refrigeración de la unidad pueda quedar obstruido. Si estas aberturas quedan bloqueadas, la refrigeración no se producirá, aumentando la temperatura interna y provocando averías.



Ventilador de refrigeración

- No presione con fuerza la superficie del panel al instalar la unidad en el vehículo. De lo contrario, pueden producirse marcas, daños o fallos.
- La recepción podría ser baja si existen objetos metálicos cerca de la antena Bluetooth.



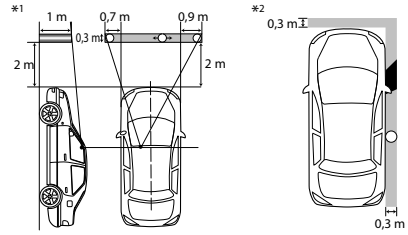
Unidad de antena Bluetooth/Wi-Fi

Procedimiento de instalación

- 1) Para evitar cortocircuitos, retire la llave del encendido y desconecte el terminal \ominus de la batería.
- 2) Retire las piezas del vehículo para instalar la unidad y conectar los cables a los terminales.
- 3) Realice de forma adecuada las conexiones de los cables de entrada y salida para cada unidad.
- 4) Determine la altura de la unidad de visualización y la posición del deslizador. Consulte **Distancia entre la unidad de visualización y la unidad principal (P.114)**.
- 5) Tome el conector B en el mazo de cables y conéctelo al conector de altavoz de su vehículo.
- 6) Tome el conector A en el mazo de cables y conéctelo al conector de alimentación externa de su vehículo.
- 7) Conecte el mazo de cables a la unidad.
- 8) Instale la unidad principal en el vehículo.
- 9) Vuelva a instalar las piezas del vehículo.
- 10) Instale la unidad de visualización.
- 11) Conecte nuevamente el terminal \ominus de la batería.
- 12) Realice la configuración inicial.
Consulte **Configuración inicial (P.6)** en el Manual de instrucciones.

Campos de visión delantero y laterales

- Para determinar los campos de visión delanteros y laterales del conductor en condiciones normales, coloque un poste (directamente visible desde delante o visible a través de los retrovisores) tal y como se muestra.



○ : Poste (altura: 1 m; diámetro: 0,3 m)

■ : Campo de visión desde la posición de dirección



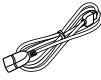


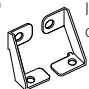
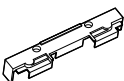


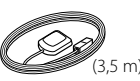

■ : Área exenta (el tamaño del poste está sujeto a regulación)

- Para vehículos con la dirección a la derecha, se invierten los estándares.

*1 El poste debe poder verse desde la posición del conductor como un campo de visión trasero directo.

*2 El poste debe ser directamente visible o indirectamente visible a través de los retrovisores, etc., desde la posición de conducción.

Accesorios suministrados para la instalación

①  x1	⑧  x1
②  x1	⑨  x2
③  (3 m) x1	⑩  Izquierdo/ derecho x1
④  x1	⑪  (M5 x 8 mm) x6
⑤  (Ø3 x 6 mm) (Negro) x2	
⑥  (3,5 m) x1	
⑦  x1	

Instalación de la unidad

Comprobar la posición de instalación de la unidad de visualización

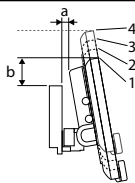
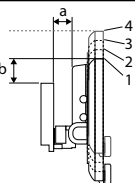
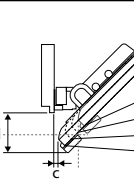
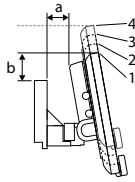
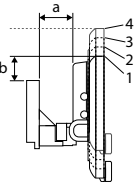
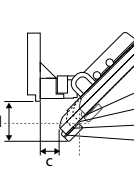
● Vehículos en los que no se puede instalar

Es posible instalar la unidad si se pueden evitar las siguientes situaciones mediante el ajuste de la posición del deslizador y de la altura de la pantalla.

El accionamiento de palancas tales como la palanca de cambio, la palanca del limpiaparabrisas o la palanca de los intermitentes se ve obstaculizado cuando instala la unidad.	El interruptor de las luces de emergencias queda escondido desde el asiento del conductor.	La unidad de visualización golpea contra un panel del vehículo.
		

● Distancia entre la unidad de visualización y la unidad principal

Ajuste la posición del deslizador y la altura de la pantalla de manera que no obstaculice el movimiento de la pantalla.

Posición del deslizador	Ángulo de la pantalla				Altura de la pantalla			
	-10°	0°	45°		1	2	3	4
Posición trasera				-10°	a	10		
				b	38,1	50,9	63,8	76,5
				c	26,7			
	0°	b	34,7	47,7	60,7	73,7		
		c	5,7	14,4	24,1	33,4		
		d	55,4	46,3	37,1	27,8		
Posición delantera				-10°	a	30,1		
				b	38,1	50,9	63,8	76,5
				c	46,7			
	0°	b	34,7	47,7	60,7	73,7		
		c	25,7	34,9	44,1	53,3		
		d	55,4	46,3	37,1	27,8		

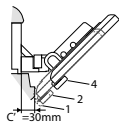
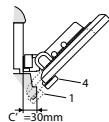
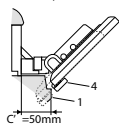
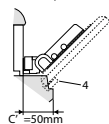
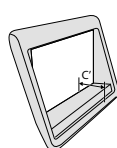
Unidad: mm

Ejemplos

Panel de instrumentos del vehículo

Deslizador en posición trasera

Deslizador en posición delantera



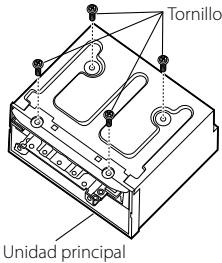
• C' = 50 mm;
Posición del deslizador: Posición delantera
Altura de la pantalla: Establecer solo la "4"

• C' = 30 mm;
Posición del deslizador: Posición trasera
Altura de la pantalla: Establecer solo la "4"

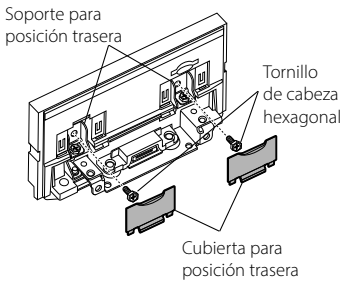
Posición del deslizador: Posición delantera
Altura de la pantalla: Ajuste "2"~"4"

■ Posicionamiento del deslizador hacia delante

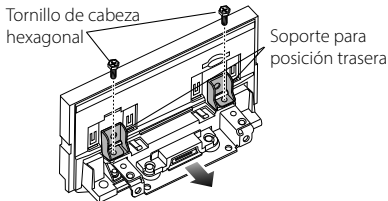
1 Retire los cuatro tornillos de la parte inferior de la unidad principal.



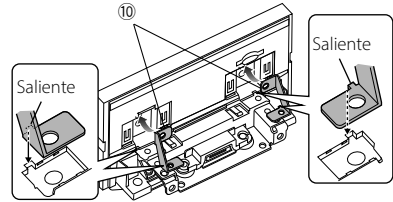
2 Retire las dos cubiertas para la posición trasera y, a continuación, retire los dos tornillos de cabeza hexagonal del soporte de la posición trasera.



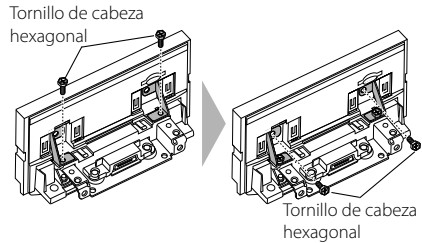
3 Arrastre el bloqueo del deslizador hacia delante y retire los dos tornillos de cabeza hexagonal para retirar el soporte para la posición trasera.



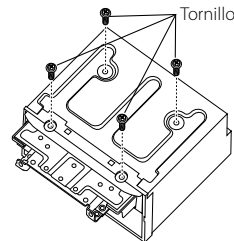
4 Instale el soporte para la posición hacia delante (accesorio ⑩) en cada uno de los lados de tal modo que sus salientes queden alineados con las ranuras de la unidad principal.



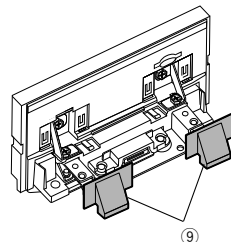
5 Fije el soporte para la posición delantera para bloquear el deslizador con los dos tornillos de cabeza hexagonal. Empuje el bloqueo del deslizador hasta que se detenga y, a continuación, fije el soporte para la posición delantera a la unidad principal con los dos tornillos de cabeza hexagonal.



6 Vuelva a instalar los cuatro tornillos de la parte inferior de la unidad principal.

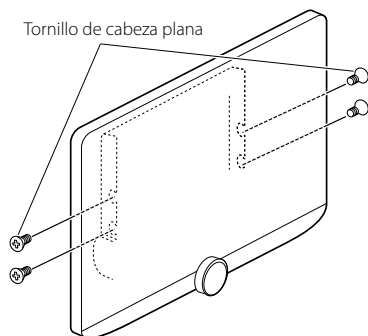


7 Instale la cubierta para la posición delantera (accesorio ⑨) en dos lugares, tal y como se muestra.

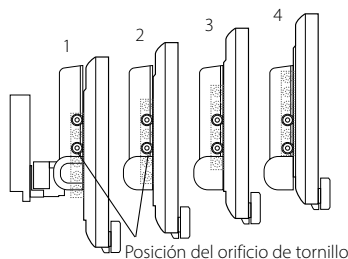


■ Ajuste de la altura de la pantalla

- 1 Retire los cuatro tornillos de cabeza plana de ambos lados.



- 2 Ajuste la altura de la pantalla de acuerdo con la posición del orificio del tornillo. La opción predeterminada es "1".



- 3 Vuelva a instalar los cuatro tornillos de cabeza plana en ambos lados y fije la pantalla.

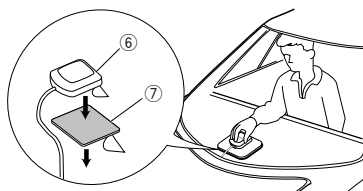
NOTA

- Fíjela con tornillos de cabeza plana de forma correcta. Después de instalar la unidad de visualización (accesorio ⑧) en la unidad principal, incline la pantalla hacia adelante hasta que se detenga y confirme que la unidad de visualización (accesorio ⑧) no golpea contra las piezas del vehículo. Si la unidad de visualización golpea contra piezas del vehículo, ajuste la altura de la pantalla de nuevo.

■ Antena GPS

La antena GPS está instalada dentro del vehículo. Debe instalarse lo más horizontalmente posible para permitir una fácil recepción de las señales de satélite GPS. Para montar la antena GPS en el interior del vehículo:

- 1 Limpie el salpicadero o la superficie en cuestión.
- 2 Extraiga el separador de la placa metálica (accesorio ⑦).
- 3 Presione con fuerza la placa metálica (accesorio ⑦) sobre el salpicadero o cualquier otra superficie de montaje. Si fuera necesario, puede doblar la placa metálica (accesorio ⑦) para adaptarla a una superficie curva.
- 4 Retire el separador de la antena del GPS (accesorio ⑥) y pegue la antena a la placa de metal (accesorio ⑦).

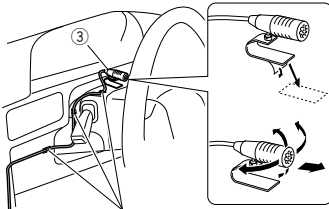


NOTA

- Utilice la antena de GPS suministrada. Usar una antena de GPS distinta de la suministrada podría causar una disminución en la precisión de posicionamiento.
- Dependiendo del vehículo, la recepción de la señal GPS podría no ser posible con una instalación en el interior.
- Por favor, instale esta antena GPS en una zona alejada de cualquier otra antena que se use con radios BC o televisiones por satélite.
- La antena GPS debería instalarse en una posición separada al menos 12 pulgadas (30 cm) del teléfono inteligente/teléfono móvil u otras antenas transmisoras. Las señales del satélite GPS podrían interferir con estos tipos de comunicación.
- Pintar la antena GPS con pintura (metálica) podría causar una disminución en su rendimiento.

Unidad de micrófono

- 1) Compruebe la posición de instalación del micrófono (accesorio ③).
- 2) Limpie la superficie de instalación.
- 3) Extraiga el separador del micrófono (accesorio ③) y fije el micrófono en la posición indicada más abajo.
- 4) Conecte el cable del micrófono a la unidad de forma segura en varias posiciones mediante cinta u otro método.
- 5) Ajuste la dirección del micrófono (accesorio ③) hacia el conductor.



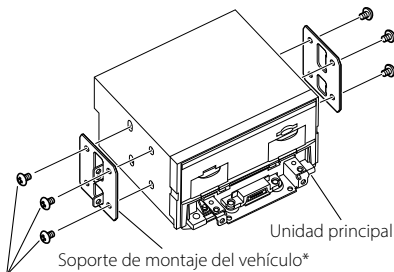
Fije un cable con una cinta adhesiva de uso comercial.

Instalación de la unidad principal

NOTA

- Determine la posición del deslizador antes de instalar la unidad principal (P.115). La posición del deslizador no se puede cambiar tras la instalación en el vehículo.
- Asegúrese de que la unidad esté firmemente instalada en su lugar. Si la unidad está en una posición inestable, es posible que no funcione correctamente (por ejemplo, el sonido puede interrumpirse).

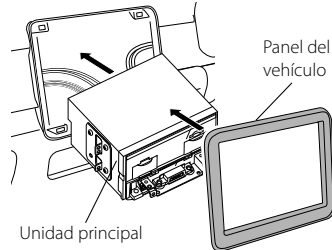
- 1 Retire las piezas que obstaculicen la instalación como, por ejemplo, un panel del vehículo.
- 2 Instale el soporte de montaje del vehículo en la unidad principal.



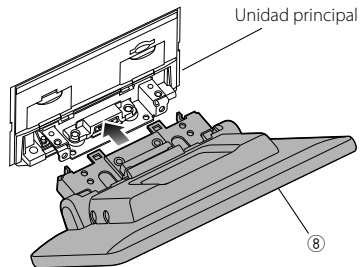
Tornillo* (M5 x 8 mm)

* Se vende por separado

- 3 Conecte los cables del mazo de cables y los equipos periféricos.
- 4 Instale la unidad principal en el vehículo.
- 5 Vuelva a instalar las piezas desmontadas como, por ejemplo, un panel del vehículo.



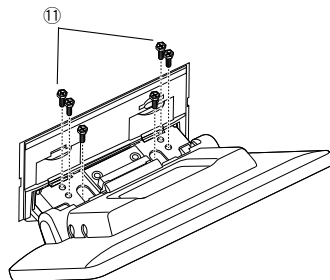
- 6 Instale la unidad de visualización (accesorio ⑧) en la unidad principal.



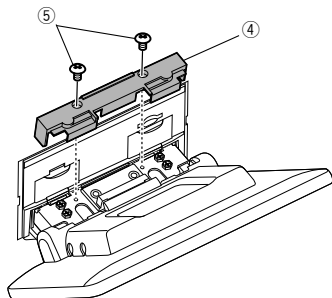
NOTA

- Si la unidad de visualización golpea contra un panel del vehículo, ajuste la altura de la pantalla tomando como referencia el apartado **Ajuste de la altura de la pantalla (P.116)**.

- 7 Fije la unidad de visualización con seis tornillos de cabeza hexagonal (accesorio ⑪).



8 Coloque la cubierta protectora (accesorio ④) en la pieza de acople y, a continuación, fíjela con dos tornillos de fijación (accesorio ⑤).



NOTA

- Si la cubierta protectora (accesorio ④) no está instalada, esta unidad no se encenderá. Aunque la unidad se encienda, la alimentación se apagará en mitad del proceso. Asegúrese de instalar la cubierta protectora (accesorio ④).

9 Levante la pantalla manualmente.

Guía de funciones de los conectores del mazo de conductores (accesorio ①)

Patilla	Color y función	
A-4	Amarillo	Batería
A-5	Azul/Blanco [2]	Control de alimentación
A-6	Naranja/blanco	Atenuación de la iluminación
A-7	Rojo	Encendido (ACC)
A-8	Negro	Conexión a tierra (masa)
B-1/ B-2	Púrpura (+) / Púrpura/Negro (-)	Trasero derecho
B-3/ B-4	Gris (+) / Gris/Negro (-)	Delantero derecho
B-5/ B-6	Blanco (+) / Blanco/Negro (-)	Delantero izquierdo
B-7/ B-8	Verde (+) / Verde/Negro (-)	Trasero izquierdo

*Impedancia del altavoz: 4-8 Ω

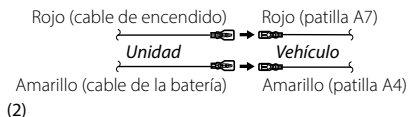
- [1] [2]: El cable azul/blanco proporciona dos cables, [1] y [2].
- [2]. Salida total del cable azul/blanco ([1] + [2]): 12 V = 350 mA

AVISO para la conexión del conector ISO

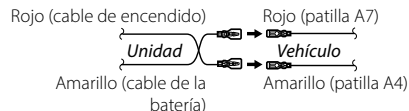
La disposición de las patillas de los conectores ISO depende del tipo de vehículo. Asegúrese de efectuar las conexiones de manera apropiada para evitar que se dañe la unidad. El ajuste de fábrica para la conexión del mazo de conductores se describe más abajo en (1). Si las patillas del conector ISO están dispuestas tal como se describe en (2), efectúe la conexión de la manera indicada en la ilustración. Asegúrese de volver a conectar el cable como se indica en (2) a continuación para instalar la unidad en vehículos Volkswagen, etc.

(1): Ajuste predeterminado

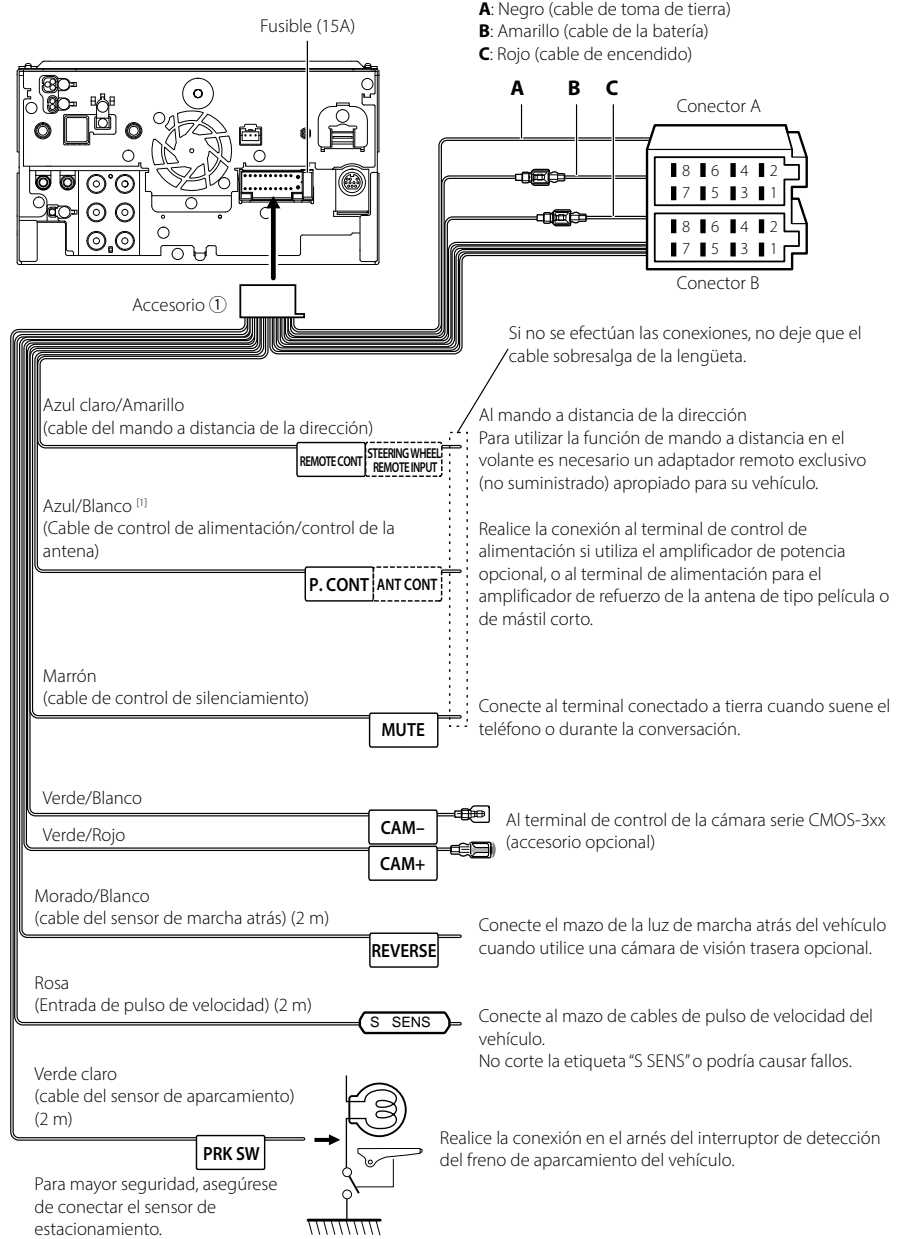
La patilla A-7 (roja) del conector ISO del vehículo está interconectada con el encendido, mientras que la patilla A-4 (amarilla) está conectada a la fuente de alimentación constante.



(2)
La patilla roja (A-7) del conector ISO del vehículo está conectada a la fuente de alimentación constante, mientras que la patilla amarilla (A-4) está interconectada con el encendido.

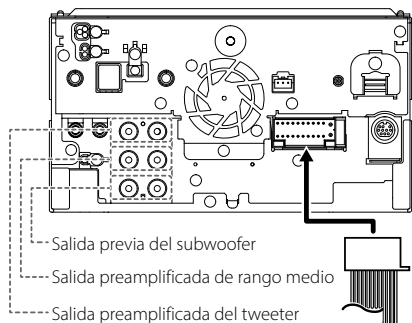


Conectar los cables a los terminales

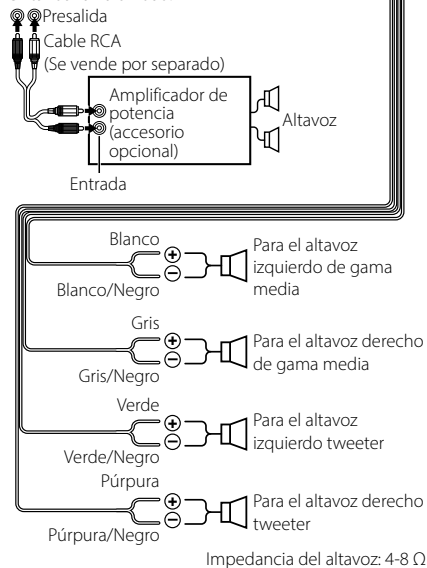


[1] [2]: El cable azul/blanco proporciona dos cables, [1] y [2]. Salida total del cable azul/blanco ([1] + [2]): 12 V \approx 350 mA

Configuración del sistema de altavoces de 3 vías



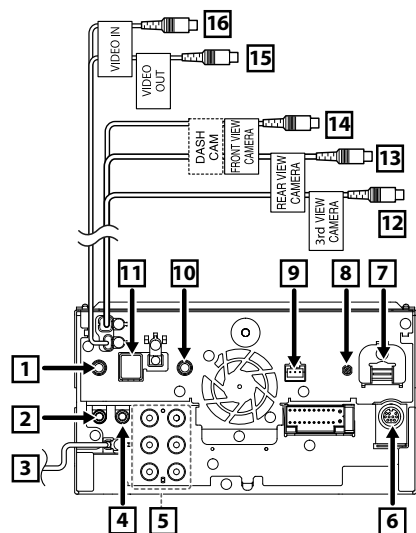
Al conectar a un amplificador externo, conecte su cable de toma a tierra al chasis del coche para evitar dañar la unidad.

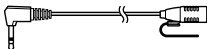
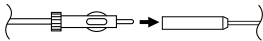




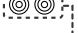
NOTA

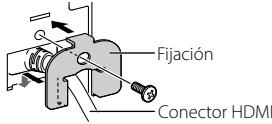
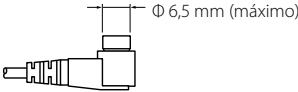
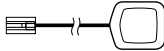
- Para más información sobre la configuración del sistema de altavoces, consulte **Configuración del sistema de altavoces de 3 vías (P.57)** en el Manual de instrucciones.
- Para la configuración del altavoz y del cruce, consulte **Configuración del altavoz/transición (P.58)** en el Manual de instrucciones.
- Para más información sobre cómo conectar los cables de los altavoces a terminales que no sean los terminales para altavoz y los terminales de salida previa, consulte **Conexión del sistema y de los componentes externos (P.120)** y **Conectar los cables a los terminales (P.119)**.

Conexión del sistema y de los componentes externos



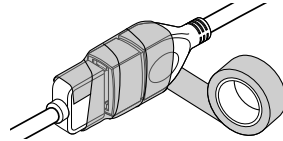
- | | |
|----------|--|
| 1 | Conecte al arnés remoto de la dirección del vehículo. Consulte a su distribuidor KENWOOD para obtener más detalles. |
| 2 | Accesorio ③: Micrófono Bluetooth
 |
| 3 | Entrada de la antena FM/AM
 |
| 4 | Salida del audio AV (ø3,5 mini jack) |
| 5 | Al conectar a un amplificador externo, conecte su cable de toma a tierra al chasis del coche para evitar dañar la unidad.

<div style="display: flex; flex-direction: column; align-items: flex-start;"> <div style="margin-bottom: 5px;"> Salida previa de audio trasera (izquierda: blanca, derecha: roja)</div> <div style="margin-bottom: 5px;"> Salida previa de audio delantera (izquierda: blanca, derecha: roja)</div> <div> Salida previa de subwoofer (izquierda: blanca, derecha: roja)</div> </div> |
| 6 | I/F externo
Corriente de alimentación máxima:
12 V $\overline{\text{---}}$ 500 mA |

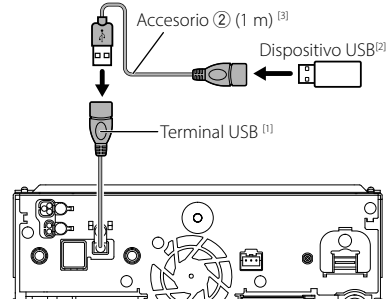
<p>7</p>	<p>Entrada HDMI Utilice el cable HDMI KCA-HD100 (accesorio opcional). Al conectar el cable al terminal HDMI, retire la fijación. Tras conectar el cable, vuelva a colocar la fijación.</p> 
<p>8</p>	<p>Antena de la Radio Digital CX-DAB1 (accesorio opcional) ⚠ Se recomienda el uso de un CX-DAB1 (accesorio opcional) como antena de la Radio Digital. Si se utiliza una antena de la Radio Digital disponible en el mercado, el diámetro del conector SMB debe ser como máximo de Φ 6,5 mm.</p> 
<p>9</p>	<p>Interfaz de cámara de salpicadero Conecte una cámara de salpicadero DRV-N520 (accesorio opcional). (P.123)</p>
<p>10</p>	<p>Entrada de audio AV (miniconector de \varnothing3,5)</p>
<p>11</p>	<p>Accesorio ⑥: Antena GPS Utilice la antena de GPS suministrada. Usar una antena de GPS distinta de la suministrada podría causar una disminución en la precisión de posicionamiento.</p> 
<p>12</p>	<p>Entrada de la cámara de vista en 3.ª persona (amarillo) Consulte Para configurar los ajustes de asignación de la cámara (P.123).</p>
<p>13</p>	<p>Entrada de la cámara de visión trasera (amarillo) *1</p>
<p>14</p>	<p>Entrada de la cámara de visión delantera/cámara de salpicadero (amarillo).*2 Consulte Para configurar los ajustes de asignación de la cámara (P.123).</p>
<p>15</p>	<p>Salida de vídeo (amarillo)</p>
<p>16</p>	<p>Entrada de vídeo (amarillo)</p>

Asegurar el cable de extensión USB

Asegure el cable de extensión USB con cinta aislante o similar para que sus conectores no se desconecten.



Conexión de un dispositivo USB



^[1] Corriente de alimentación máxima USB :
CC 5 V $\overline{\text{---}}$ 1,5 A

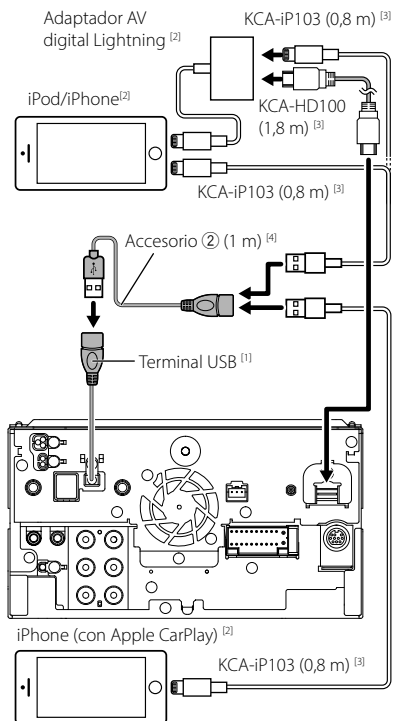
^[2] Vendida por separado

^[3] Consulte **Asegurar el cable de extensión USB (P.121)**.

*1 Conecte una cámara HD al terminal de entrada de la cámara de visión trasera para utilizar vídeos en HD.

*2 Conecte una cámara HD al terminal de entrada de la cámara de visión delantera/cámara del salpicadero para utilizar vídeos en HD.

Conexión de un iPod/iPhone



^[1] Corriente de alimentación máxima USB :
CC 5 V = 1,5 A

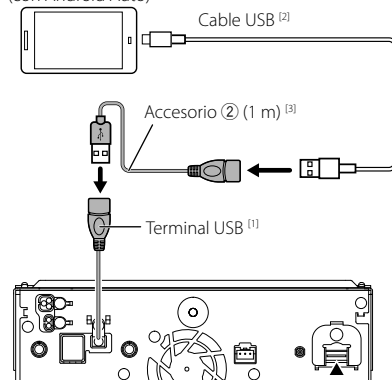
^[2] Vendida por separado

^[3] Accesorio opcional

^[4] Consulte **Asegurar el cable de extensión USB (P.121)**.

Conexión de un teléfono inteligente Android

Teléfono inteligente Android
(con Android Auto) ^[2]

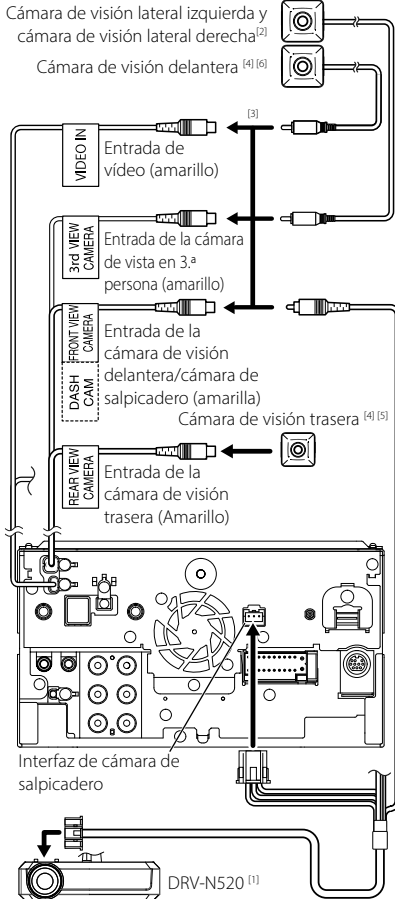


^[1] Corriente de alimentación máxima USB :
CC 5 V = 1,5 A

^[2] Vendida por separado

^[3] Consulte **Asegurar el cable de extensión USB (P.121)**.

Conexión de la cámara



[1] Accesorio opcional

[2] Vendida por separado

[3] Se pueden conectar un máximo de 3 cámaras de cámara de salpicadero, cámara de visión delantera, cámara de visión lateral izquierda y cámara de visión lateral derecha. **(P.123)**

[4] Serie CMOS-3xx (accesorio opcional) o cámara comercialmente disponible.

[5] En el caso de vídeo en HD, también se usa una cámara HD como cámara de visión trasera.

[6] En el caso de vídeo en HD, también se usa una cámara HD como cámara de visión delantera.

Para configurar los ajustes de asignación de la cámara

- 1 Pulse el botón **HOME / ⏻**.
- 2 Toque **⚙️**.
- 3 Toque **SETUP**.
➤ Aparece la pantalla SETUP Menu.
- 4 Toque **Camera**.
➤ Aparece el menú de ajustes de la cámara.
- 5 Toque **Camera Assignment Settings**.
- 6 Seleccione el elemento a configurar.

REAR VIEW CAMERA

Establezca la asignación de cámara de la cámara de visión conectada al terminal de entrada de la cámara de visión trasera.

FRONT VIEW CAMERA / DASH CAM

Establezca la asignación de cámara de visión de cámara conectada a terminal de entrada de cámara de visión delantera/cámara de salpicadero.

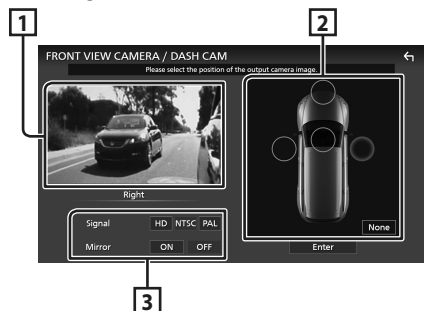
3rd VIEW CAMERA

Establezca la asignación de cámara de la cámara de visión conectada al terminal de entrada de la cámara de vista en 3.ª persona.

VIDEO IN

Establezca la asignación de cámara de la cámara de visión conectada al terminal de entrada de vídeo.

- 7 Seleccione la vista de la cámara a configurar.



- 1 **Picture from view camera**
- 2 **Camera position**
- 3 **Picture quality settings**

- 8 Toque **Enter**.

Índice

Antes de Utilizar	124
Acerca do Guia de início rápido.....	124
Precauções	124
Como ler este manual	125
Operação no ecrã táctil	125
Nota para especificações	125
Operações Básicas	126
Funções dos botões no painel frontal.....	126
Ligar a unidade	126
Definições do calendário/relogio	126
Ecrã HOME.....	127
Menu pop-up	127
Rádio	128
Rádio Digital	128
USB/iPod/iPhone	129
Controlo do Bluetooth	130
Registar o dispositivo Bluetooth.....	130
Utilizar a Unidade Mãos-livres.....	131
Conexão/Instalação	132
Antes da instalação	132
Instalar a unidade	134

Antes de Utilizar

Acerca do Guia de início rápido

- Este Guia de Início Rápido explica as funções básicas desta unidade. Para obter informações sobre funções não descritas neste Guia, consulte o Manual de instruções no seguinte website:
<https://manual.kenwood.com/edition/im406/>



- O manual de instruções está sujeito a alterações para modificação de especificações e outras. Assegure-se de que transfere a última versão do Manual de instruções para sua referência.

Precauções

▲ AVISOS

■ Para evitar lesões ou um incêndio, tome as seguintes precauções:

- Para evitar um curto-circuito, nunca coloque nem deixe objetos metálicos (como moedas ou ferramentas metálicas) dentro da unidade.
- Não veja nem fixe os olhos no visor da unidade quando está a conduzir por longos períodos.
- Se aparecerem problemas durante a instalação, consulte o seu concessionário KENWOOD.

■ Precauções de utilização desta unidade

- Quando comprar acessórios opcionais, confirme junto do representante KENWOOD que eles funcionam com o seu modelo e na sua zona.
- Pode seleccionar um idioma para a apresentação de menus, etiquetas de ficheiros áudio, etc. Consulte **Configuração do sistema (P.56)** no Manual de instruções.
- A função Radio Data System (Sistema de Dados de Rádio) não funciona nas áreas onde o serviço não é suportado por nenhuma estação de difusão.

■ Proteger o monitor

- Para proteger o monitor de danos, não opere o monitor utilizando uma esferográfica ou um objeto semelhante com ponta afiada.

■ Limpar a unidade

- Se o painel frontal da unidade estiver manchado, limpe-o com um pano macio e seco como um pano com silício. Se o painel frontal estiver muito manchado, limpe-o com um pano humedecido com detergente neutro e, de seguida, limpe-o com um pano seco.

NOTA

- Aplicar um spray de limpeza diretamente na unidade pode danificar as partes mecânicas. Limpar o painel frontal com um pano que não seja macio ou usando um líquido volátil, como diluente ou álcool, pode riscar a superfície ou apagar a impressão.

Obter sinal GPS

Quando ligar o aparelho pela primeira vez, tem que esperar enquanto o sistema adquire os sinais de satélite. Este processo poderá levar vários minutos. Certifique-se que o veículo está no exterior, numa área aberta, longe de edifícios altos e árvores altas para que a aquisição seja mais rápida.

Depois do sistema adquirir os sinais de satélite pela primeira vez, irá adquiri-los cada vez mais rapidamente nas vezes seguintes.

Sobre o GLONASS

Este aparelho utiliza o GLONASS (Sistema de Navegação Global por Satélite) para além do GPS.

A combinação de GPS e GLONASS pode tornar a precisão de posicionamento melhor do que ao usar apenas o GPS.

Precaução para Utilizadores de Smartphones

A execução simultânea de várias aplicações no seu smartphone enquanto partilha o ecrã coloca uma grande exigência sobre o microprocessador do telefone, afetando potencialmente a comunicação e o desempenho.

Para obter os melhores resultados enquanto emparelha com o seu recetor KENWOOD, certifique-se de que encerra todas as aplicações não utilizadas.

Como ler este manual

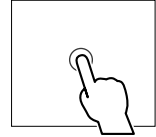
- Os ecrãs e painéis mostrados neste manual são exemplos utilizados para fornecer explicações claras sobre as operações. Por esta razão, poderão ser diferentes dos ecrãs e dos painéis reais, ou alguns padrões de apresentação poderão ser diferentes dos reais.
- Idioma de Apresentação:** É utilizado o inglês para o propósito de explicação. Pode seleccionar o idioma de apresentação a partir do menu **SETUP**. Consulte **Configuração do sistema (P.56)** no Manual de instruções.

Operação no ecrã táctil

Para realizar as operações no ecrã, precisa de tocar, tocar e segurar, arrastar ou deslizar rapidamente para seleccionar um item, visualizar um ecrã de menu de definição ou mudar páginas.

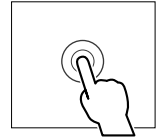
● Tocar

Toque gentilmente no ecrã para seleccionar um item no ecrã.



● Tocar e segurar

Toque no ecrã e mantenha o dedo em posição até que a visualização mude ou até que apareça uma mensagem.



● Deslizar rapidamente

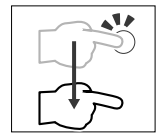
Deslize rapidamente o dedo para a esquerda ou direita no ecrã para mudar a página.



Pode percorrer uma lista deslizando rapidamente o ecrã para cima/baixo.

● Deslizar

Deslize o dedo para cima ou para baixo no ecrã para deslocar o ecrã.



Nota para especificações

■ Secção Bluetooth

Frequência

: 2,402 – 2,480 GHz

Potência de saída RF (EIRP)

: +4 dBm (MÁX), Classe de potência 2

■ Geral

Tensão de operação

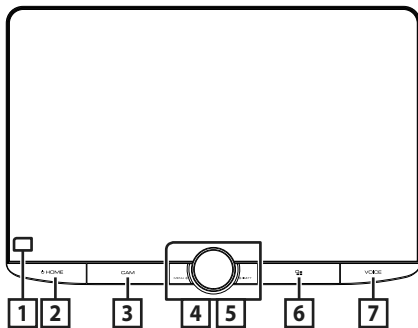
: Bateria de carro de 12V CC

Impedância de altifalante

: 4 – 8 Ω

Operações Básicas

Funções dos botões no painel frontal



NOTA

Os painéis mostrados neste manual são exemplos utilizados para dar uma explicação clara sobre operações. Por esta razão, poderão ser diferentes dos painéis reais.

Nome	Ação
1 Sensor Remoto	• Recebe o sinal do controlo remoto.
2 HOME /	• Apresenta o ecrã inicial (P.127). • Se pressionado durante 1 segundo, desliga a alimentação. • Quando a alimentação está desligada, liga a alimentação.
3 CAM	• Liga/desliga a apresentação da visualização da câmara.
4 MENU/ATT	• Apresenta o ecrã do menu popup. • Pressionando durante 1 segundo liga/desliga a atenuação do volume.
5 Botão de volume	• Ajusta o volume.
6	• Exibe o ecrã de APP (Apple CarPlay/Android Auto/Espelhamento Sem Fios). • Enquanto o ecrã APP é exibido, comuta para o ecrã de controlo da fonte atual.

Nome	Ação
7 VOICE	<ul style="list-style-type: none"> • Liga/desliga a função de reconhecimento de voz. • Quando nem o Apple CarPlay, nem o Android Auto, nem o telefone mãos-livres Bluetooth estão conectados, manter pressionada exibe a caixa de diálogo de espera de emparelhamento Bluetooth.

Ligar a unidade

1 Prima o botão HOME / .



➤ A unidade está ligada.

● **Desligar a unidade:**

1 Prima o botão HOME / durante 1 segundo.

Definições do calendário/relógio

1 Prima o botão HOME / .

2 Toque em .

3 Toque em **SETUP**.

➤ É apresentado o ecrã de menu SETUP (Conf).

4 Toque em **System**.

➤ O menu de configurações do sistema é exibido.

5 Defina cada item da seguinte forma.

Percorra a página para visualizar itens escondidos.



■ Time Format

Selecione o formato de apresentação da hora.

12-Hour / 24-Hour (predefinição)

■ Clock

GPS-SYNC (padrão): Sincroniza a hora do relógio com o GPS.

Manual: Acerte o relógio manualmente.

■ Time Zone

Selecione o fuso horário.

■ Clock Adjust

Se seleccionar **Manual** para Relógio, ajuste a data e hora manualmente. (P.127)

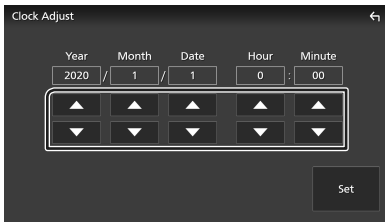
NOTA

- Por favor, defina a data e a hora. Se não estiverem definidas, algumas funções podem não funcionar.

● Acerte a data e a hora manualmente

1 Toque em **Clock Adjust** no menu de configuração do sistema.

2 Acerte a data e depois a hora.



3 Toque em **Set**.

Ecrã HOME

A maioria das funções pode ser realizada no ecrã HOME.

1 Prima o botão **HOME / ⏻**.



- 1** • Widget
- 2** • Apresenta o ecrã de seleção de fonte.
- 3** • Apresenta o ecrã do menu de CONFIGURAÇÃO.
- 4** • Ícones de atalho de fonte de reprodução

■ Descrição do ecrã de seleção de fontes

Pode visualizar os ícones de todas as fontes de reprodução e opções no ecrã de seleção de fonte.

1 Prima o botão **HOME / ⏻**.

➤ Aparece o ecrã HOME.

2 Toque em **☰**.

A partir do ecrã, pode seleccionar as seguintes fontes e funções.



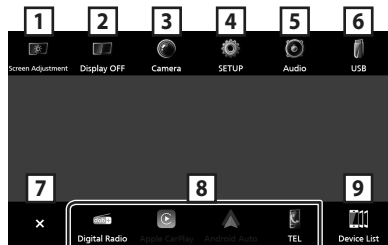
- 1** • Muda as fontes de reprodução.
- 2** • Regressa ao ecrã anterior.
- 3** • Apresenta o ecrã do menu de CONFIGURAÇÃO.

Menu pop-up

1 Prima o botão **MENU / ⚙**.

➤ O menu pop-up aparece.

2 Toque para exibir o menu rápido.



O conteúdo do menu é descrito em seguida.

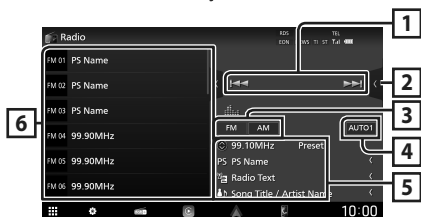
- 1** • Exibe o ecrã do Ajuste de Ecrã.
- 2** • Desliga o ecrã.
- 3** • Apresenta o ecrã de vista da câmara.
- 4** • Apresenta o ecrã do menu de CONFIGURAÇÃO.
- 5** • Apresenta o ecrã de Áudio.
- 6** • Apresenta o ecrã de controlo da fonte actual. A função do ícone varia consoante a fonte. Este ícone é para a fonte USB.

Operações Básicas

7	• Feche o menu pop-up.
8	• Ícones de fontes de atalhos:
9	• Exibe a lista de dispositivos Android Auto. Este ícone aparece apenas quando o Android Auto está conectado e dois ou mais dispositivos Android Auto podem ser utilizados como fonte.

Rádio

Para ouvir a fonte de Rádio, toque no ícone **Radio** no ecrã de seleção de fonte. (P.127)



1 Teclas de operação

- **◀▶▶▶** : Sintoniza a estação. O método de alteração de frequências pode ser modificado (consulte **4** Modo de busca).

2 Painel de funções

Toque no lado direito do ecrã para exibir o painel de funções. Toque outra vez para fechar o painel.

- **TI** (apenas FM): Seleciona o modo de informação de trânsito.
- **SETUP** (apenas FM): Apresenta o ecrã CONFIGURAÇÃO de Rádio.
- **AME** : Redefine estações automaticamente.
- **PTY** (apenas FM): Procura um programa por tipo de programa.
- **MONO** (apenas FM): Seleciona o Modo de receção monoaural.
- **LO.S** (apenas FM): Liga e desliga a função de busca local.

3 Teclas de banda

Altera as bandas (entre FM e AM).

4 Modo de busca

Toque para comutar o modo de busca na seguinte sequência: **AUTO1** , **AUTO2** , **MANUAL** .

- **AUTO1** : Sintoniza automaticamente uma estação com boa receção.
- **AUTO2** : Sintoniza as estações memorizadas uma após outra.

- **MANUAL** : Comuta manualmente para a frequência seguinte.

5 Visualização de informações

- Mostra a informação sobre a estação atual: Frequência
Predefinição#: Número predefinido

6 Lista predefinida

- Tochar em **◀/▶** permite alterar o tamanho do ecrã.
- Chama a estação memorizada.
- Se tocar durante 2 segundos, guarda na memória a estação atual a ser recebida no momento.

Memória automática

Podem armazenar automaticamente estações com boa receção na memória.

- 1 Toque na tecla da banda desejada (FM/AM).**
- 2 Toque em ▶ no lado esquerdo do ecrã. Toque em AME.**
- 3 Toque em Yes.**
 - ▶ Iniciar a memória automática.

Rádio Digital

Para ouvir a fonte de Rádio digital, toque no ícone **Digital Radio** no ecrã de seleção de fonte. (P.127)



1 Teclas de operação

- **🔍** : Apresenta o ecrã de Lista de Serviço.
- **◀▶▶▶** : Sintoniza numa etiqueta em conjunto, serviço e componente. O modo de alteração de pesquisa pode ser modificado. (ver **3** Modo de busca).

2 Painel de funções

Toque no lado direito do ecrã para exibir o painel de funções. Toque outra vez para fechar o painel.

- **TI** : Seleciona o modo de informação de trânsito.

- **SETUP** : Apresenta o ecrã CONFIGURAÇÃO de Rádio Digital.
- **PTY** : Procura um programa por tipo de programa.
- **DLS** : Exibe o ecrã de segmento de Etiqueta Dinâmica.

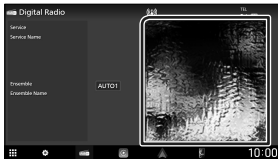
3 Modo de busca

Toque para mudar os modos de busca na seguinte sequência: **AUTO1** , **AUTO2** , **MANUAL** .

- **AUTO1** : Sintoniza automaticamente um conjunto com boa receção.
- **AUTO2** : Sintoniza os conjuntos memorizados um após outro.
- **MANUAL** : Comuta manualmente para o conjunto seguinte.

4 Visualização de informações

- Mostra a informação sobre a estação atual: Nome de Serviço
- Toque para alternar entre o ecrã de Controlo e de Informação.



5 Lista predefinida

- Tocar em / permite alterar o tamanho do ecrã.
- Chama o serviço memorizado.
- Se tocar durante 2 segundos, guarda na memória o serviço atual a ser recebido no momento.

USB/iPod/iPhone

Conectar um dispositivo USB/iPod/iPhone

- 1 Conecte o dispositivo USB com o cabo USB. (P.141)
Conecte o iPod/iPhone usando o KCA-iP103. (P.142)
- 2 Prima o botão **HOME** / .
- 3 Toque em .
- 4 Toque em **USB** ou **iPod**. (P.127)

Desconectar um dispositivo USB/iPod/iPhone

- 1 Prima o botão **HOME** / .
- 2 Toque numa fonte diferente de **USB** .
- 3 Retire o dispositivo USB/iPod/iPhone.

Operação Básica



1 Teclas de operação

- : Procura a faixa/o ficheiro.
- : Procura a faixa/o ficheiro anterior/seguinte.
- : Reproduz ou ativa o modo de pausa.

2 Lista de conteúdos

- Toque no lado esquerdo do ecrã para exibir a lista de Conteúdos. Toque outra vez para fechar a lista.
- Exibe a lista de reprodução. Quando toca o nome de uma pista/ficheiro da lista, começa a reprodução.

3 Informação sobre a faixa

- Mostra a informação do ficheiro atual.

4 Painel de funções (apenas USB)

Toque no lado direito do ecrã para exibir o painel de funções. Toque outra vez para fechar o painel.

- : Procura a pasta anterior/seguinte.

Ecrã de vídeo (apenas USB)



5 Área de procura de ficheiros (Apenas ficheiros de vídeo)



Toque para procurar o ficheiro seguinte/anterior.

6 Área de visualização de teclas (Apenas ficheiros de vídeo)

Toque para aceder ao ecrã de controlo.

7 Operação de pesquisa

Pode procurar ficheiros de música ou de vídeo através das seguintes operações.

- 1 Toque em .
- 2 Toque em .

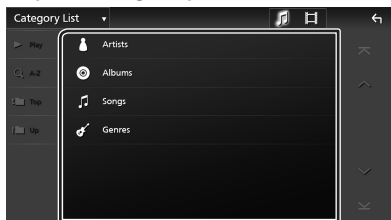


3 Selecione um tipo de lista.



4 Selecione se quer procurar ficheiros de áudio ou ficheiros de vídeo . (Apenas USB)

5 Toque na categoria pretendida.



➤ A lista correspondente à sua seleção aparece.

6 Toque para seleccionar o item pretendido da lista. Repita este passo até encontrar o ficheiro desejado.

Controlo do Bluetooth




Utilizar a função Bluetooth permite-lhe utilizar várias funções como a de ouvir um ficheiro áudio e efetuar/receber uma chamada.

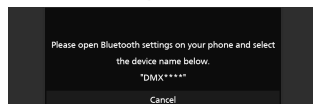
Registrar o dispositivo Bluetooth

É necessário registar o leitor de áudio Bluetooth ou o smartphone/telemóvel nesta unidade antes de utilizar a função Bluetooth. É possível registar até 10 dispositivos Bluetooth.

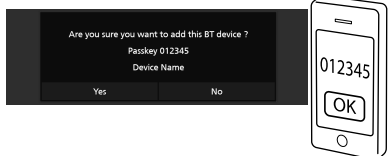
NOTA

• Podem ser registados 10 dispositivos Bluetooth. Se se tentar registar o 11º dispositivo Bluetooth, o dispositivo Bluetooth mais antigo conectado será eliminado para registar a 11º.

- 1 Prima o botão **HOME /** .
- 2 Toque em .
- 3 Toque em **SETUP**.
 - É apresentado o ecrã de menu SETUP (Conf).
- 4 Toque em **Connections & AV**.
- 5 Toque em **Device List**.
- 6 Selecione um tipo de dispositivo.
- 7 Toque em .
- Aparece a caixa de diálogo de espera de emparelhamento Bluetooth.

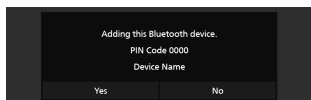


- 8 Procure o aparelho (“DMX9720XDS”) a partir do seu smartphone/telemóvel. Conclua os passos de 8 a 10 dentro de 30 segundos.
- 9 Opere o seu smartphone/telefone de acordo com as mensagens exibidas.
 - Confirme o pedido no smartphone/ telemóvel.



- Introduza o Código PIN no seu smartphone/telemóvel.

O Código PIN está predefinido para “0000”.

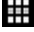


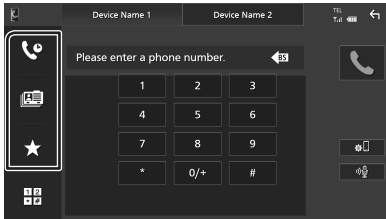
- 10 Toque em **Yes**.



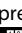

Utilizar a Unidade Mãos-livres

Pode usar a função de telefone conectando o telefone com Bluetooth a esta unidade.



■ Faça uma chamada

- 1 Prima o botão **HOME**/☰.
- 2 Toque em .
- 3 Toque em **TEL**.
 - É apresentado o ecrã de mãos-livres.
- 4 Seleccione um método de marcação.



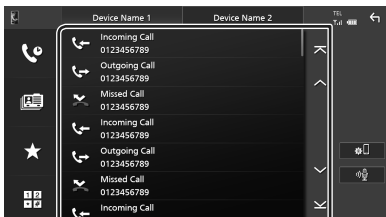
-  : Ligar utilizando registos de chamadas
-  : Ligar utilizando a lista telefónica
-  : Ligar utilizando o número predefinido
-  : Ligar introduzindo um número de telefone

Ligar introduzindo um número de telefone



- 1 Toque em .
- 2 Introduza um número de telefone, utilizando as teclas numéricas.
- 3 Toque em .

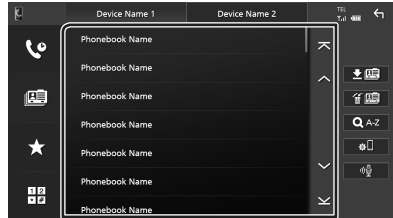
Ligar utilizando registos de chamadas

- 1 Toque em .
- 2 Seleccione o número de telefone a partir da lista.



Ligar utilizando a lista telefónica

- 1 Toque em .
- 2 Toque em  **A-Z**.
- 3 Seleccione a inicial.
 - Os caracteres sem nome correspondente não serão apresentados.
- 4 Seleccione a pessoa a quem quer ligar a partir da lista.





- 5 Seleccione o número de telefone a partir da lista.

Ligar utilizando o número predefinido

- 1 Toque em .
- 2 Toque no nome ou no número de telefone.



■ Receber uma chamada

- 1 Toque em  para atender uma chamada ou em  para a rejeitar.



Para terminar a chamada

- 1 Durante a conversação, toque em .

Conexão/Instalação

Esta secção é para o instalador profissional. Por motivos de segurança, deixe a instalação de cabos e a montagem para profissionais. Consulte o revendedor do sistema de áudio do carro.

Antes da instalação

Antes da instalação desta unidade, tenha em consideração as seguintes precauções.

⚠ AVISOS

- Se ligar o fio de ignição (vermelho e o fio da bateria (amarelo) ao chassis do automóvel (terra), pode causar um curto-circuito, que por sua vez pode causar um incêndio. Ligue esses fios sempre à fonte de energia que passa através da caixa de fusíveis.
- Não elimine o fusível do cabo de ignição (vermelho) e do cabo da bateria (amarelo). A fonte de alimentação deve ser ligada aos cabos passando pelo fusível.

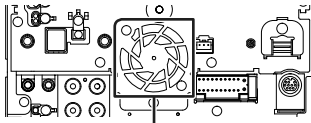
⚠ ATENÇÃO

- Instale este aparelho na consola do seu automóvel. Não toque nas peças de metal deste aparelho durante ou pouco depois da utilização do aparelho. As peças de metal, como por exemplo a armação, aquecem.

NOTA

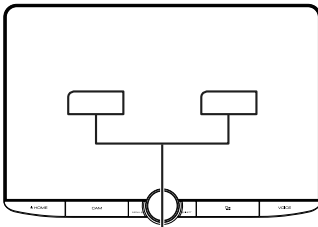
- A instalação e ligação deste aparelho requerem conhecimentos e experiência. Para maior segurança, deixe as operações de montagem e ligação a cargo de profissionais.
- Não instale a unidade se ela perturbar a condução.
- Ajuste a posição do painel para não perturbar a condução.
- Assegure-se de que liga a unidade a uma fonte de alimentação de 12 V CC com massa negativa.
- Não instale o aparelho num local exposto à luz solar direta ou calor e humidade excessivos. Evite também locais com demasiada poeira ou a possibilidade de salpicos de água.
- Não utilize os seus próprios parafusos. Utilize apenas os parafusos fornecidos. O uso de parafusos não apropriados pode resultar em danos ao aparelho principal.

- Se a alimentação não estiver LIGADA ("Existe um erro na conexão elétrica da coluna. Por favor verifique as conexões." é exibido), o fio da coluna pode ter sofrido um curto-circuito ou ter tocado no chassis do veículo e a função de proteção pode ter sido ativada. Portanto, o cabo do altifalante deve ser verificado.
- Se a ignição do automóvel não tiver uma posição ACC, conecte os fios da ignição a uma fonte de energia que possa ser ativada e desativada pela chave de ignição. Se ligar o fio de ignição a uma fonte de alimentação com um débito de tensão permanente, como os cabos da bateria, a bateria poderá ficar descarregada.
- Se a consola tiver uma tampa, a tampa não fechará mesmo quando o aparelho estiver instalado corretamente.
- Se o fusível fundir, certifique-se primeiro de que os fios não tocam uns nos outros causando um curto-circuito, e substitua o fusível antigo por outro com a mesma potência.
- Isole os cabos não ligados com fita isolante ou outro material similar. Para evitar curtos-circuitos, não remova as capas dos finais dos cabos não conectados ou dos terminais.
- Ligue os cabos individuais do altifalante aos terminais correspondentes. A unidade poderá ficar danificada ou deixar de funcionar se partilhar os fios ⊖ ou os ligar à massa a qualquer peça metálica do carro.
- Quando houver somente dois altifalantes conectados ao sistema, ligue os conectores a ambos os terminais de saída frontais ou a ambos os terminais de saída traseiros (não misture terminais frontais com traseiros). Por exemplo, se ligar o conector ⊕ do altifalante esquerdo a um terminal de saída dianteiro, não ligue o conector ⊖ a um terminal de saída traseiro.
- Depois que a unidade tiver sido instalada, verifique se as lâmpadas de stop, os piscapiscas, os limpa pára-brisa, etc. do automóvel estão funcionando corretamente.
- Monte o aparelho de forma a que o ângulo de montagem seja de 30° ou menos.
- Esta unidade está equipada com ventoinha de refrigeração para diminuir a temperatura interna. Não monte a unidade num local onde a ventoinha de refrigeração fique bloqueada. Bloquear estas aberturas irá inibir a refrigeração da temperatura interna e resultar em avaria.



Ventoinha de refrigeração

- Não faça muita pressão sobre a superfície do painel quando instalar a unidade no automóvel. Caso contrário poderão resultar marcas, danos ou avarias.
- A receção poderá ser reduzida se existirem objetos metálicos próximos da antena Bluetooth.



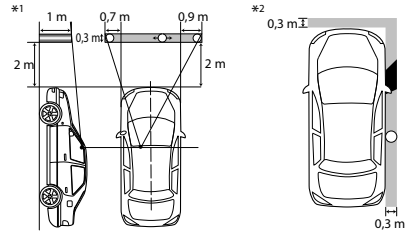
Antena Bluetooth/Wi-Fi

■ Método de instalação

- 1) Para prevenir um curto-circuito, remova a chave da ignição e desligue o terminal \ominus da bateria.
- 2) Remova as peças do veículo para instalar a unidade e conectar os fios ao terminal.
- 3) Faça as ligações apropriadas dos cabos de entrada e saída de cada unidade.
- 4) Determine a altura do monitor e a posição do cursor. Consulte **Distância entre o monitor e a unidade principal (P.134)**.
- 5) Ligue o conector B da cablagem ao conector do altifalante do seu veículo.
- 6) Ligue o conector A da cablagem ao conector de energia externa do seu veículo.
- 7) Ligue o conector da cablagem à unidade.
- 8) Instale a unidade principal no veículo.
- 9) Reinstale as peças do veículo.
- 10) Instale o monitor.
- 11) Volte a ligar o terminal \ominus da bateria.
- 12) Efetue a configuração inicial.
Consulte **CONFIGURAÇÃO Inicial (P.6)** no Manual de instruções.

● Campos de visão frontal e lateral

- Para determinar os campos de visão frontal e lateral do condutor em condições normais, coloque um poste (diretamente visível da frente ou visível pelo espelho retrovisor do carro), como mostrado.



- : Poste (altura: 1 m, diâmetro: 0,3 m)
- : Campo de visão da posição da direção
- : Área isenta (o tamanho do poste está sujeito aos regulamentos)

- Para veículo de volante à esquerda, os padrões são invertidos.

*1 O poste deve ser visível da posição do condutor como campo de visão direto para a frente.

*2 O poste deve ser diretamente visível ou indiretamente visível através do espelho, etc. a partir da posição do condutor.

■ Acessórios fornecidos para instalação

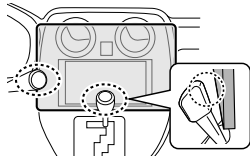
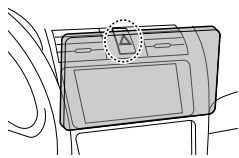
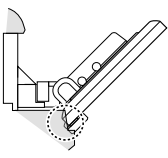
①		x1	⑧		x1
②		x1	⑨		x2
③		x1	⑩		Esquerda/ direita x1
④		x1	⑪		(M5 x 8 mm) x6
⑤		(Ø3 x 6 mm) (Preto) x2			
⑥		(3,5 m) x1			
⑦		x1			

Instalar a unidade

■ Confirme a posição de instalação do monitor

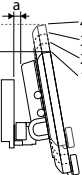
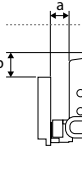
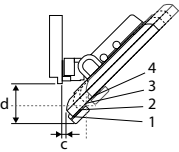
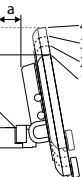
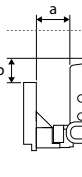
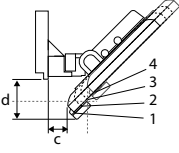
● Veículos onde não pode ser instalado

Pode ser possível instalar se puder evitar o seguinte ajustando a posição do cursor e a altura do monitor.

Há interferência com as operações da alavanca, como alavanca das mudanças, alavanca do limpavídeos e alavanca do pisca-pisca ao instalar a unidade.	Um interruptor de perigo fica escondido do lugar do condutor.	O monitor toca num painel do veículo.
		

● Distância entre o monitor e a unidade principal

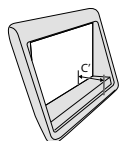
Ajuste a posição do cursor e a altura do monitor para que não interfira no movimento do monitor.

Posição do cursor	Ângulo do monitor			Altura do monitor				
	-10°	0°	45°	1	2	3	4	
Posição traseira				-10°	10			
				b	38,1	50,9	63,8	76,5
				a	26,7			
	0°	b	34,7	47,7	60,7	73,7		
		c	5,7	14,4	24,1	33,4		
		d	55,4	46,3	37,1	27,8		
Posição dianteira				-10°	30,1			
				b	38,1	50,9	63,8	76,5
				a	46,7			
	0°	b	34,7	47,7	60,7	73,7		
		c	25,7	34,9	44,1	53,3		
		d	55,4	46,3	37,1	27,8		

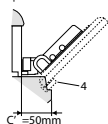
Unidade: mm

Exemplos

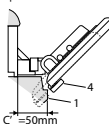
Painel de agrupamento no veículo



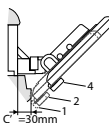
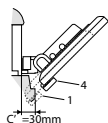
Cursor na posição para trás



Cursor na posição para a frente



• C' = 50 mm;
Posição do cursor: Posição dianteira
Altura do monitor: Defina apenas "4"

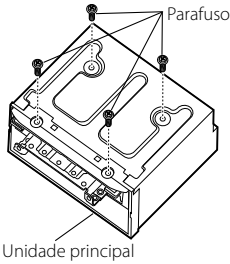


• C' = 30 mm;
Posição do cursor: Posição traseira
Altura do monitor: Defina apenas "4"

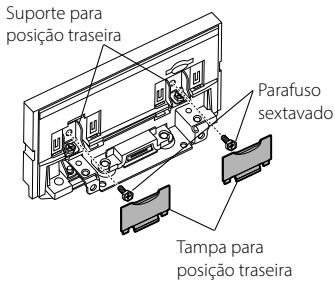
Posição do cursor: Posição dianteira
Altura do monitor: Defina de "2" a "4"

■ Posicionar o cursor para a frente

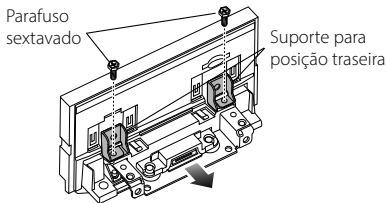
- 1** Remova os quatro parafusos da parte inferior da unidade principal.



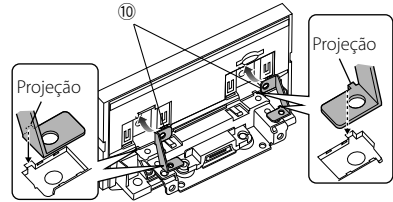
- 2** Remova as duas tampas para a posição traseira e, em seguida, remova os dois parafusos sextavados do suporte para a posição traseira.



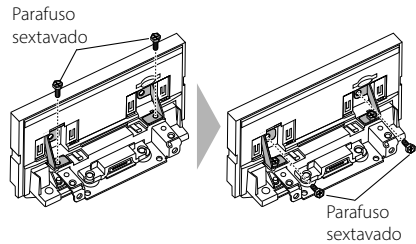
- 3** Puxe o bloco do cursor para a frente e remova os dois parafusos sextavados para remover o suporte para a posição traseira.



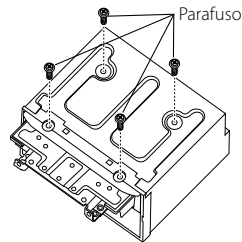
- 4** Instale o suporte para a posição para a frente (acessório 10) de cada lado para que as suas projeções estejam alinhadas com as ranhuras na unidade principal.



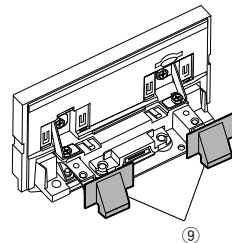
- 5** Fixe o suporte para a posição para a frente ao bloco do cursor com os dois parafusos sextavados. Empurre o bloco do cursor até que ele pare e, em seguida, fixe o suporte para a posição para a frente na unidade principal com os dois parafusos sextavados.



- 6** Reinstale os quatro parafusos na parte inferior da unidade principal.

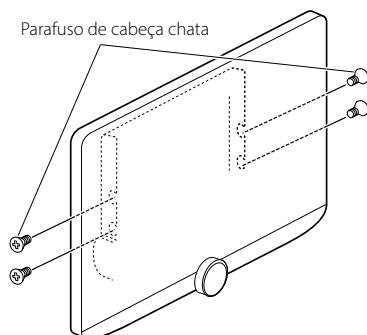


- 7** Instale a tampa para a posição dianteira (acessório 9) em dois locais, como mostrado.

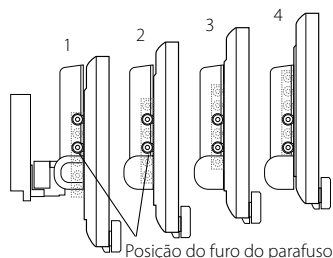


Ajustar a altura do monitor

1 Retire os quatro parafusos de cabeça chata dos dois lados.



2 Ajuste a altura do monitor de acordo com a posição do orifício do parafuso. A predefinição é "1".



3 Reinstale os quatro parafusos de cabeça chata nos dois lados e fixe o monitor.

NOTA

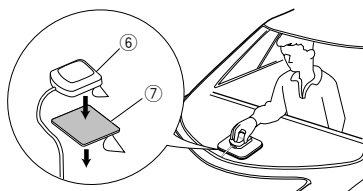
- Fixe corretamente com os parafusos de cabeça chata. Após instalar o monitor (acessório ⑧) na unidade principal, incline o monitor para a frente até parar e confirme se o monitor (acessório ⑧) não bate nas peças do veículo. Se o monitor atingir partes do veículo, ajuste novamente a altura do monitor.

Antena GPS

A antena GPS é instalada no interior do carro. Deve ser instalada o mais horizontalmente possível para permitir uma recepção fácil dos sinais de satélite GPS.

Para montar a antena GPS dentro do seu veículo:

- 1) Limpe o painel de instrumentos ou outra superfície.
- 2) Remova o separador da placa de metal (acessório ⑦).
- 3) Pressione firmemente a placa de metal (acessório ⑦) no tablier ou noutra superfície de montagem. Pode dobrar a placa de metal (acessório ⑦) para que se ajuste a uma superfície curva, se necessário.
- 4) Remova o separador da antena GPS (acessório ⑥) e fixe a antena na placa de metal (acessório ⑦).

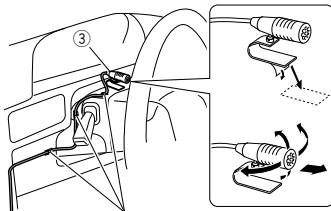


NOTA

- Use a antena GPS fornecida. Usar uma antena GPS diferente da fornecida pode causar uma diminuição da precisão do posicionamento.
- Dependendo do tipo de carro, a recepção dos sinais de satélite GPS poderá não ser possível se a instalação for feita no interior.
- Instale esta antena de GPS num local longe de quaisquer antenas utilizadas para rádios CB ou televisão por satélite.
- A antena GPS deve ser instalada numa posição em que fique afastada pelo menos 12 polegadas (30 cm) do smartphone/telemóvel ou de outras antenas de transmissão. Os sinais do satélite GPS podem sofrer interferência por parte desse tipo de comunicação.
- Pintar a antena GPS com tinta (metálica) pode causar uma quebra no desempenho.

Unidade do microfone

- 1) Verifique a posição de instalação do microfone (acessório ③).
- 2) Limpe a superfície de instalação.
- 3) Retire o separador do microfone (acessório ③) e coloque o microfone na placa apresentada abaixo.
- 4) Ligue o cabo do microfone na unidade, prendendo-o em várias posições com fita adesiva ou outro método.
- 5) Ajuste a direção do microfone (acessório ③) ao condutor.



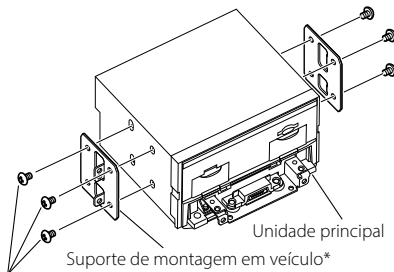
Fixe um cabo com fita adesiva.

Instalar a unidade principal

NOTA

- Determine a posição do cursor antes de instalar a unidade principal. **(P.135)** A posição do cursor não pode ser alterada após a instalação no veículo.
- Certifique-se de que o aparelho está firmemente instalado em posição. Se o aparelho estiver instável, poderá funcionar mal (por exemplo, com falhas no som).

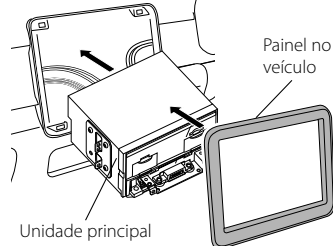
- 1 Remova as peças que interferem na instalação tais como um painel no veículo.
- 2 Instale o suporte de montagem em veículo na unidade principal.



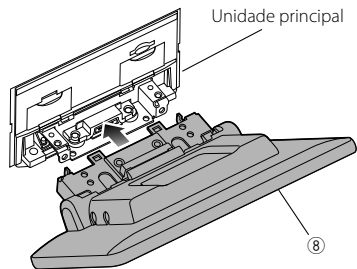
Parafuso* (M5 x 8 mm)

* Vendido em separado

- 3 Ligue os fios da cablagem e o equipamento periférico.
- 4 Instale a unidade principal no veículo.
- 5 Reinstale as peças removidas tais como um painel no veículo.



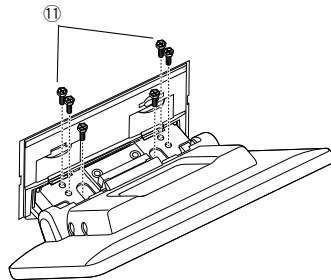
- 6 Instale o monitor (acessório ⑧) na unidade principal.



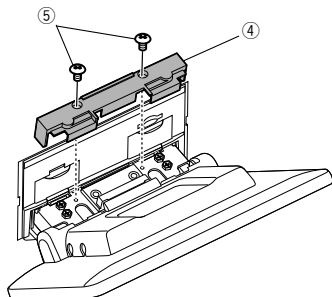
NOTA

- Se o monitor bater num painel do veículo, ajuste a altura do monitor consultando **Ajustar a altura do monitor (P.136)**.

- 7 Fixe o monitor com seis parafusos sextavados (acessório ⑪).



- 8 Coloque a tampa protetora (acessório ④) na peça de acoplamento e, em seguida, fixe-a com dois parafusos de cabeça alta (acessório ⑤).



NOTA

- Se a tampa de proteção (acessório ④) não estiver instalada, esta unidade não se liga. Mesmo se a unidade estiver ligada, a energia pode ser desligada a meio. Certifique-se de que monta a tampa de proteção (acessório ④).

- 9 Levante o monitor manualmente.

Guia de funcionamento do conector da cablagem elétrica (Acessório ①)

Pino	Cor e função	
A-4	Amarelo	Bateria
A-5	Azul/Branco [2]	Controlo de energia
A-6	Laranja/branco	Dimmer
A-7	Vermelho	Ignição (ACC)
A-8	Preto	Ligação terra (massa)
B-1/ B-2	Roxo (+) / Roxo/Preto (-)	Traseiro direito
B-3/ B-4	Cinzeno (+) / Cinzeno/Preto (-)	Dianteiro direito
B-5/ B-6	Branco (+) / Branco/Preto (-)	Dianteiro esquerdo
B-7/ B-8	Verde (+) / Verde/Preto (-)	Traseiro esquerdo

*Impedância do altifalante: 4-8 Ω

[1] [2]: Cabo Azul/Branco fornece dois cabos, [1] e [2].

Saída total do cabo Azul/Branco ([1] +[2]):

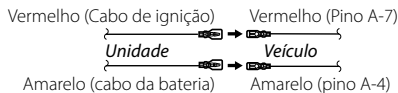
12V \approx 350 mA

▲ADVERTÊNCIA para Ligação do Conector ISO

A disposição dos pinos nos conectores ISO depende do tipo do veículo. Certifique-se de que efetua as ligações corretamente, para evitar danos no aparelho. A ligação predefinida das cablagens é descrita em (1) abaixo. Se os pinos do conector ISO se apresentarem como ilustrado em (2), faça as ligações conforme ilustrado. Assegure-se que torna a ligar o cabo conforme indicado (2) abaixo para instalar esta unidade em automóveis Volkswagen, etc.

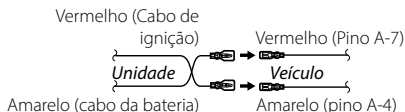
(1): Configuração predefinida

O pino vermelho (A-7) do conector ISO do veículo está ligado à fonte de alimentação constante e o pino A-4 (amarelo) está ligado à ignição.

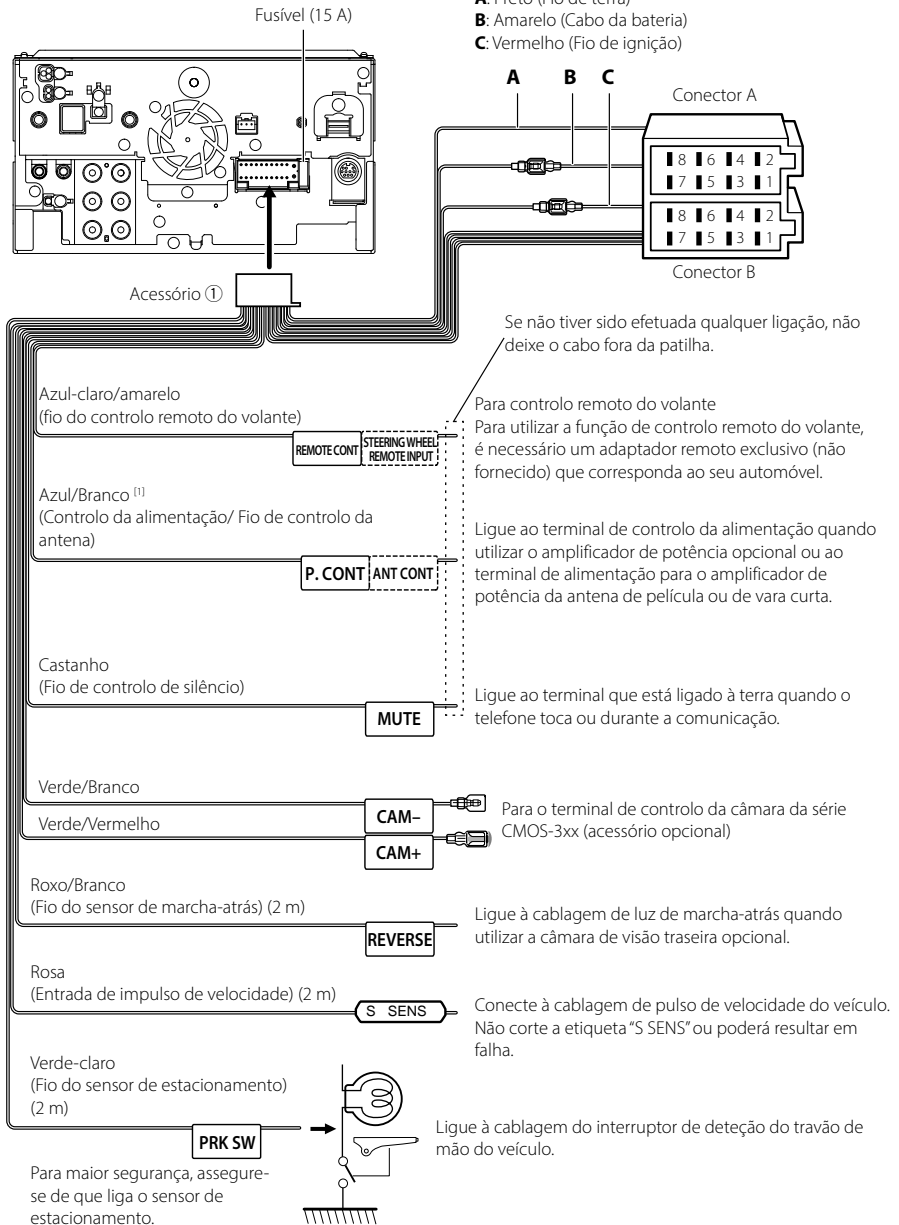


(2)

O pino vermelho (A-7) do conector ISO do veículo está ligado à fonte de alimentação constante e o pino amarelo (A-4) está ligado à ignição.

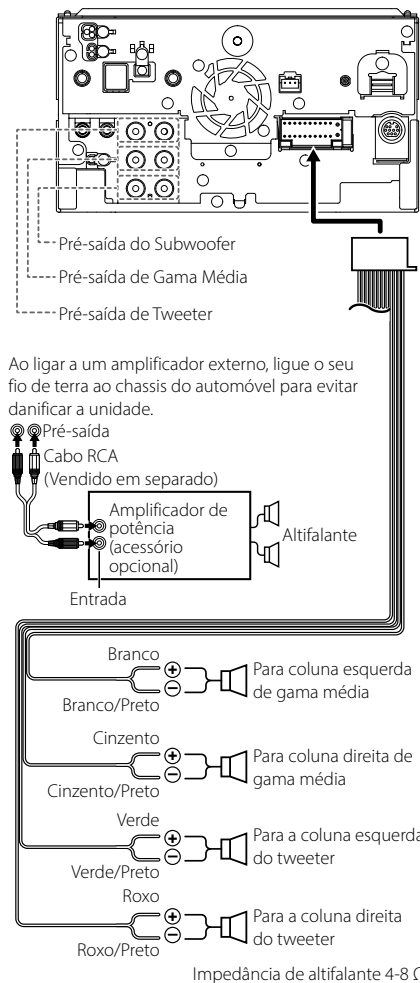


Ligar os cabos aos terminais



[1] [2]: Cabo Azul/Branco fornece dois cabos, [1] e [2]. Saída total do cabo Azul/Branco ([1] + [2]): 12 V \approx 350 mA

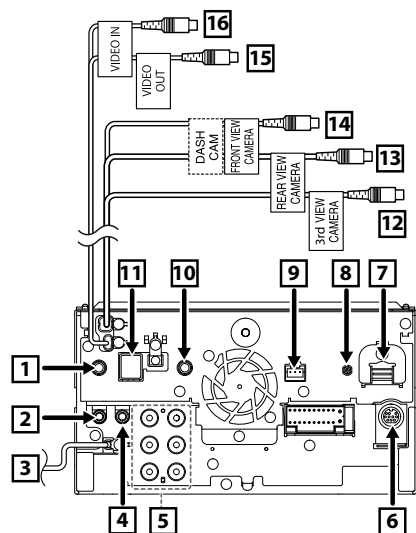
Configuração do sistema de altifalantes de 3 vias

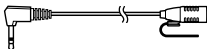
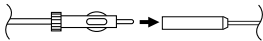


NOTA

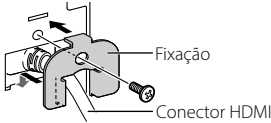
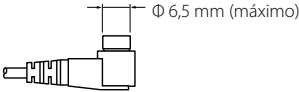
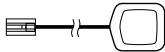
- Para a configuração do sistema de altifalantes, consulte **Configuração do sistema de altifalantes de 3 vias (P.57)** no Manual de instruções.
- Para configuração das colunas e configuração cruzada, consulte **Configuração dos altifalantes/ X'over (P.58)** no Manual de instruções.
- Para saber como conectar os cabos das colunas a terminais diferentes dos terminais das colunas e os terminais de Pré-saída, consulte **Conectar o sistema e os componentes externos (P.140)** e **Ligar os cabos aos terminais (P.139)**.

Conectar o sistema e os componentes externos



- | | |
|----------|--|
| 1 | Ligue à cablagem do comando da direção do veículo. Contacte o seu revendedor KENWOOD para obter mais detalhes. |
| 2 | Acessório ③: Microfone Bluetooth
 |
| 3 | Entrada da antena FM/AM
 |
| 4 | Saída de Áudio AV (minificha ø3,5) |
| 5 | Ao ligar a um amplificador externo, ligue o seu fio de terra ao chassis do automóvel para evitar danificar a unidade.

<div style="border: 1px dashed black; padding: 5px; margin-left: 20px;"> <p>Pré-saída de Áudio Traseira (Esquerda; Branco, Direita; Vermelho)</p> <p>Pré-Saída Áudio Frontal (Esquerda; Branco, Direito; Vermelho)</p> <p>Pré-saída do Subwoofer (Esquerda; Branco, Direita; Vermelho)</p> </div> |
| 6 | I/F externo
Potência máxima de corrente de alimentação: 12 V $\overline{\text{---}}$ 500 mA |

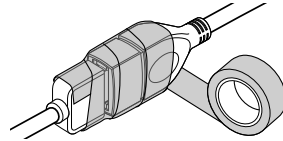
<p>7</p>	<p>Entrada HDMI Utilize o cabo HDMI KCA-HD100 (acessório opcional). Quando ligar o cabo ao terminal HDMI, retire a fixação. Depois de ligar o cabo, coloque novamente a fixação.</p> 
<p>8</p>	<p>Antena de Rádio Digital CX-DAB1 (acessório opcional) ⚠ A utilização de um CX-DAB1 (acessório opcional) como uma antena de Rádio Digital é recomendada. Quando utilizar uma antena de Rádio Digital disponível no mercado, o diâmetro do conector SMB deve ser igual ou inferior a $\Phi 6,5$ mm.</p> 
<p>9</p>	<p>Interface da câmara de tablier Conecte uma Câmara de Tablier DRV-N520 (acessório opcional). (P.143)</p>
<p>10</p>	<p>Entrada áudio AV (minificha $\Phi 3,5$)</p>
<p>11</p>	<p>Accessório ⑥: Antena GPS Use a antena GPS fornecida. Usar uma antena GPS diferente da fornecida pode causar uma diminuição da precisão do posicionamento.</p> 
<p>12</p>	<p>Entrada da 3ª câmara de visão (amarelo). Consulte Definir a configuração de atribuição da câmara (P.143).</p>
<p>13</p>	<p>Entrada da câmara de visão traseira (amarelo) *1</p>
<p>14</p>	<p>Câmara de visão dianteira/Entrada da câmara de tablier (amarelo).*2 Consulte Definir a configuração de atribuição da câmara (P.143).</p>
<p>15</p>	<p>Saída vídeo (amarelo)</p>
<p>16</p>	<p>Entrada vídeo (amarelo)</p>

*1 Conecte uma câmara HD ao terminal de entrada da câmara de visão traseira para usar o vídeo HD.

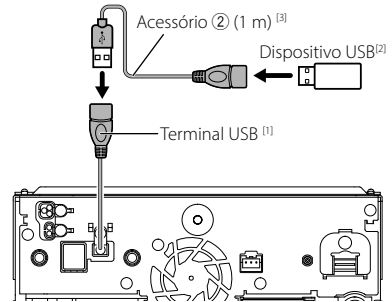
*2 Conecte uma câmara HD ao terminal de entrada da câmara de visão dianteira/câmara de tablier para usar vídeo HD.

Fixar o cabo de extensão USB

Fixe o cabo de extensão USB com fita isoladora ou semelhante de forma a que os seus conectores não fiquem desconectados.



Conectar a um dispositivo USB



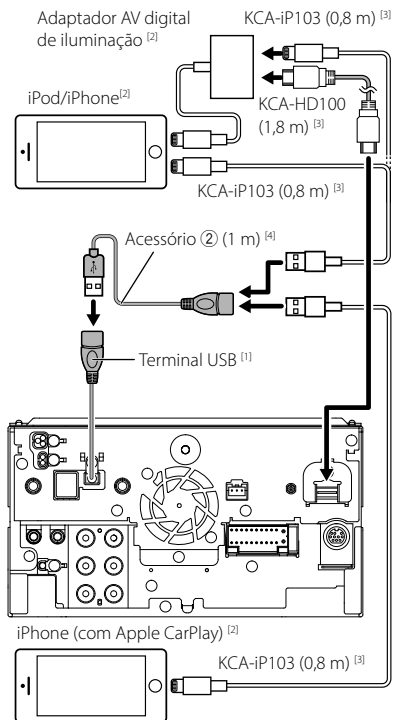
[1] Corrente de fornecimento de energia máxima de USB : CC 5 V \pm 1,5 A

[2] Vendido em separado

[3] Consulte a secção **Fixar o cabo de extensão USB (P.141)**.

Conexão/Instalação

Ligar um iPod/iPhone.



^[1] Corrente de fornecimento de energia máxima de USB : CC 5 V $\overline{\overline{=}}$ 1,5 A

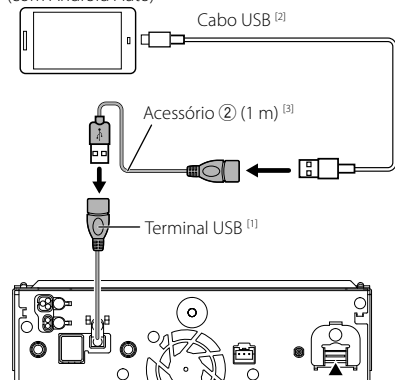
^[2] Vendido em separado

^[3] Acessório opcional

^[4] Consulte a secção **Fixar o cabo de extensão USB (P.141)**.

Conectar um smartphone Android

Smartphone Android (com Android Auto)^[2]

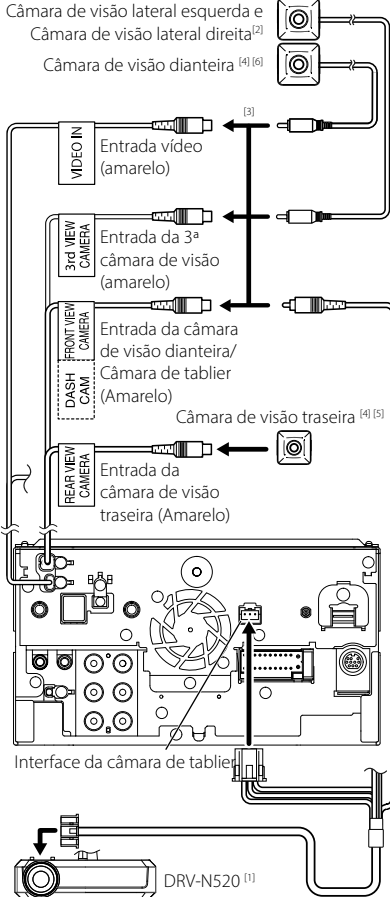


^[1] Corrente de fornecimento de energia máxima de USB : CC 5 V $\overline{\overline{=}}$ 1,5 A

^[2] Vendido em separado

^[3] Consulte a secção **Fixar o cabo de extensão USB (P.141)**.

■ Ligação da câmara



[1] Acessório opcional

[2] Vendido em separado

[3] Podem ser ligadas até 3 câmaras de Câmara de tablier, Câmara de visão dianteira, Câmara de visão lateral esquerda e Câmara de visão lateral direita. **(P.143)**

[4] Série CMOS-3xx (acessório opcional) ou câmara disponível comercialmente.

[5] Para vídeo HD, é também usada uma câmara HD como câmara de visão traseira.

[6] Para vídeo HD, é também usada uma câmara HD como câmara de visão dianteira.

■ Definir a configuração de atribuição da câmara

- 1 Prima o botão **HOME / ⏻**.
- 2 Toque em **⚙️**.
- 3 Toque em **SETUP**.
➤ É apresentado o ecrã de menu SETUP (Conf).
- 4 Toque em **Camera**.
➤ O menu de configurações da câmara é exibido.
- 5 Toque em **Camera Assignment Settings**.
- 6 Selecione o item a configurar.

■ REAR VIEW CAMERA

Define a atribuição da câmara de visão ligada ao terminal de entrada da câmara de visão traseira.

■ FRONT VIEW CAMERA / DASH CAM

Define a atribuição da câmara de visão ligada ao terminal de entrada Câmara de visão dianteira/Câmara de tablier.

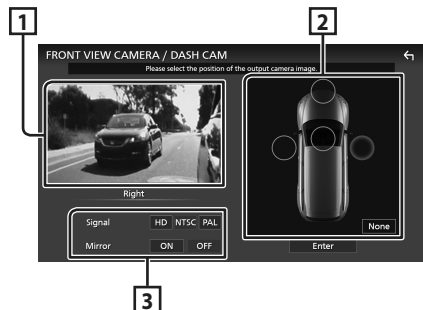
■ 3rd VIEW CAMERA

Define a atribuição da câmara de visão ligada ao terminal de entrada da 3ª câmara de visão.

■ VIDEO IN

Define a atribuição da câmara de visão ligada ao terminal de entrada Vídeo.

7 Seleccione a câmara de visão a configurar.



1 **Picture from view camera**

2 **Camera position**

3 **Picture quality settings**

8 Toque em **Enter**.

Содержание

Перед эксплуатацией	144
О кратком руководстве по началу работы ..144	
Меры предосторожности	144
Как читать это руководство	145
Управление на сенсорном экране	145
Примечание относительно технических характеристик	145
Основные операции	146
Функции кнопок передней панели	146
Включение устройства	146
Настройки календаря/часов	146
НАЧАЛЬНЫЙ экран	147
Всплывающее меню	147
Радио	148
Цифровое радио	148
USB/iPod/iPhone	149
Управление Bluetooth	150
Зарегистрируйте устройство Bluetooth	150
Использование устройства громкой связи..151	
Подключение/установка	152
Перед установкой	152
Установка устройства	154

Перед эксплуатацией

О кратком руководстве по началу работы

- В этом кратком руководстве по началу работы описаны основные функции этого устройства. Функции, не описанные в этом руководстве, см. в инструкции по эксплуатации на следующем веб-сайте:
<https://manual.kenwood.com/edition/im406/>



- Инструкция по эксплуатации может быть изменена для модификации технических требований и т. д. Обязательно загрузите последнюю версию инструкции по эксплуатации для справочной информации.

Меры предосторожности

▲ ПРЕДУПРЕЖДЕНИЯ

■ Для предотвращения травм или возникновения пожара соблюдайте следующие меры предосторожности:

- Во избежание короткого замыкания никогда не вставляйте и не оставляйте какие-либо металлические предметы (такие как монеты или металлические инструменты) внутри устройства.
- Не смотрите и не удерживайте взгляд на дисплее устройства во время управления автомобилем продолжительное время.
- Если вы столкнулись с проблемами во время установки, свяжитесь со своим дилером KENWOOD.

■ Меры предосторожности при использовании данного устройства

- В случае покупки дополнительных аксессуаров проконсультируйтесь со своим дилером KENWOOD и убедитесь, что дилеры компании работают с вашей моделью и в вашем регионе.
- Вы можете выбрать язык для отображения меню, меток аудио файлов и др. См. раздел **Настройка системы (с.56)** в инструкции по эксплуатации.
- Функция Radio Data System не будет работать в зонах, где она не поддерживается какой-либо радиостанцией.

■ Защита монитора

- Чтобы защитить монитор от повреждений, не управляйте монитором с помощью шариковой ручки или другого подобного инструмента с острым концом.

■ Чистка устройства

- Если лицевая панель данного устройства покрыта пятнами, протрите ее мягкой сухой тканью, такой как силиконовая салфетка. Если лицевая панель значительно загрязнена, вытрите ее тканью, смоченной нейтральным моющим средством, а затем вытрите ее еще раз чистой мягкой сухой тканью.

ПРИМЕЧАНИЕ

- Нанесение очистителя непосредственно путем распыления на устройство может привести к повреждению его механических элементов. Протирание лицевой панели жесткой тканью или использование летучих жидкостей, таких как растворитель или спирт, может привести к царапинам на поверхности или стиранию надписей с экрана.

Получение сигнала GPS

При первом включении данного устройства необходимо подождать, пока система получит спутниковые сигналы в первый раз. Этот процесс может занять до нескольких минут. Убедитесь, что Ваш автомобиль находится на открытом участке, вдали от высоких зданий и деревьев для быстрого получения сигналов.

После того как систем получит спутниковые сигналы в первый раз, после этого она будет получать их быстрее.

О ГЛОНАСС

В этом устройстве в дополнение к GPS используется Глобальная навигационная спутниковая система (ГЛОНАСС).

Комбинация GPS и ГЛОНАСС повышает точность определения местоположения по сравнению с использованием только GPS.

Предупреждение для пользователей смартфонов

При одновременном запуске нескольких приложений на смартфоне во время совместного использования экрана повышается нагрузка на микропроцессор телефона, что может привести к ухудшению связи и рабочих характеристик.

Для достижения наилучших результатов при сопряжении с ресивером KENWOOD закройте все неиспользуемые приложения.

Как читать это руководство

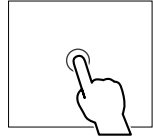
- Экраны и панели в этой инструкции приведены в качестве примеров, позволяющих наиболее наглядно объяснять действия. Поэтому они могут отличаться от экранов и панелей, имеющихся в действительности, или типы экранов могут отличаться от фактических.
- Язык дисплея:** Английский язык используются в качестве примера с целью объяснения. Вы можете выбрать язык дисплея в меню **SETUP**. См. раздел **Настройка системы (с.56)** в инструкции по эксплуатации.

Управление на сенсорном экране

Чтобы выполнять операции на экране, вам необходимо нажать, нажать и удерживать, пролистать или провести по экрану для выбора элемента, отображения экранов меню настройки или перехода на другую страницу.

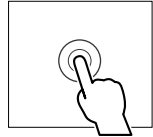
● Прикосновение

Осторожно прикоснитесь к экрану, чтобы выбрать элемент на экране.



● Прикосновение с удержанием

Прикоснитесь к экрану и удерживайте палец на месте, пока не переключится дисплей или не отобразится сообщение.



● Смахивание

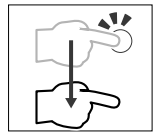
Быстро проведите пальцем влево или вправо на экране, чтобы перейти на другую страницу.



Вы можете прокручивать экранный список, проводя вверх/вниз.

● Прокрутка

Проведите пальцем вверх или вниз на экране, чтобы выполнить прокрутку экрана.



Примечание относительно технических характеристик

■ Блок Bluetooth

Частота

: 2,402 – 2,480 ГГц

Выходная мощность P_Ч (E.I.R.P.)

: +4 дБм (макс.), класс мощности 2

■ Общие сведения

Рабочее напряжение

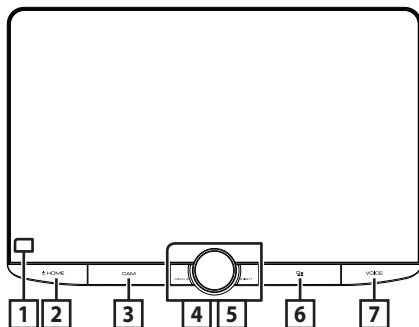
: 12 В пост. тока (аккумулятор автомобиля)

Импеданс громкоговорителей

: 4 – 8 Ом

Основные операции

Функции кнопок передней панели



ПРИМЕЧАНИЕ

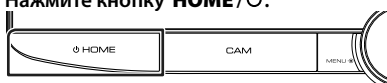
• Панели в этой инструкции приведены в качестве примеров, позволяющих наиболее наглядно объяснять действия. Поэтому они могут отличаться от панелей, имеющих в действительности.

Название	Действие
1 Датчик ПДУ	• Принимает сигнал ПДУ.
2 HOME/⏻	• Отображает ГЛАВНЫЙ экран (с.147). • Нажатие в течение 1 секунды выключает питание. • При выключенном питании, включает его.
3 CAM	• Включает/выключает изображение камеры обзора.
4 MENU/ATT	• Отображает экран всплывающего меню. • Нажатие на 1 секунду включает/выключает затухание звука.
5 Ручка регулирования громкости	• Регулирует громкость.
6	• Открывает экран приложения (Apple CarPlay/Android Auto/Wireless Mirroring). • Переключается на экран управления текущего источника во время отображения экрана приложения.

Название	Действие
7 VOICE	<ul style="list-style-type: none"> • Включает/выключает функцию распознавания голоса. • Если телефон Apple CarPlay, Android Auto или Bluetooth Hands-Free не подключен, при нажатии и удерживании отображается диалоговое окно ожидания сопряжения по Bluetooth.

Включение устройства

1 Нажмите кнопку HOME / ⏻.



➤ Устройство включено.

● Чтобы выключить устройство:

1 Нажмите кнопку HOME / ⏻ на 1 секунду.

Настройки календаря/часов

1 Нажмите кнопку HOME / ⏻.

2 Коснитесь

3 Коснитесь кнопки **SETUP**.

➤ Появится экран меню НАСТРОЙКИ.

4 Нажмите **System**.

➤ Появится меню настройки системы.

5 Установите каждый элемент следующим образом.

Пролистайте страницу, чтобы отобразить скрытые элементы.



■ **Time Format**

Выбор формата отображения времени.

12-Hour / 24-Hour (по умолчанию)

■ **Clock**

GPS-SYNC (по умолчанию):

Синхронизация времени часов с GPS.

Manual: Ручная настройка часов.

■ **Time Zone**

Выберите часовой пояс.

■ Clock Adjust

После выбора **Manual** для Clock настройте дату и время вручную. (с.147)

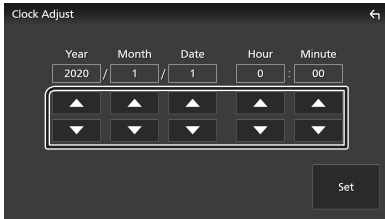
ПРИМЕЧАНИЕ

- Установите дату и время. Если они не установлены, некоторые функции могут не работать.

● Настройте дату и время вручную

1 Нажмите **Clock Adjust** в меню настроек системы.

2 Настройте дату, а затем настройте время.

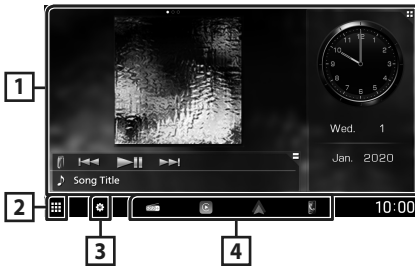


3 Коснитесь **Set**.

НАЧАЛЬНЫЙ экран

Большинство функций могут быть выполнены из экрана HOME (Начальный экран).

1 Нажмите кнопку **HOME / ⏏**.



- | | |
|----------|--|
| 1 | • Виджет |
| 2 | • Отображает экран выбора источника. |
| 3 | • Отображает экран меню НАСТРОЙКИ. |
| 4 | • Иконки быстрого доступа источников воспроизведения |

■ Описание экрана выбора источника

Вы можете отобразить иконки всех источников воспроизведения и параметры на экране выбора источника.

1 Нажмите кнопку **HOME / ⏏**.

➤ Появится НАЧАЛЬНЫЙ экран.

2 Коснитесь .

С помощью экрана можно выбрать следующие источники и функции.



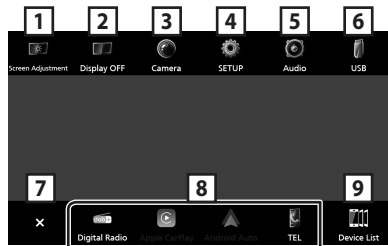
- | | |
|----------|---------------------------------------|
| 1 | • Изменяет источники воспроизведения. |
| 2 | • Возврат к предыдущему экрану. |
| 3 | • Отображает экран меню НАСТРОЙКИ. |

Всплывающее меню

1 Нажмите кнопку **MENU / ATT**.

➤ Появляется всплывающее окно.

2 Коснитесь, чтобы отобразить всплывающее меню.



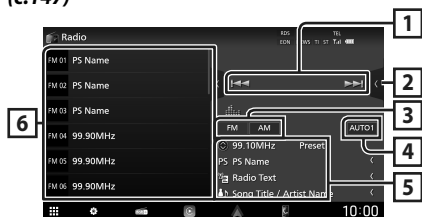
Содержимое меню включает следующие пункты.

- | | |
|----------|---|
| 1 | • Отображает экран настройки экрана. |
| 2 | • Выключает дисплей. |
| 3 | • Отображает экран камеры обзора. |
| 4 | • Отображает экран меню НАСТРОЙКИ. |
| 5 | • Отображает экран Аудио. |
| 6 | • Отображает экран управления текущего источника. Функция значка отличается в зависимости от источника. Эта иконка – для источника USB. |
| 7 | • Закройте всплывающее меню. |

- 8** • Иконки быстрого доступа:
- 9** • Отображает список устройств Android Auto. Этот значок отображается только в том случае, если устройство Android Auto подключено, и два или более устройств можно использовать в качестве источника Android Auto.

Радио

Чтобы слушать радиостанцию, нажмите на иконку **Radio** на экране выбора источника. (с. 147)



1 Кнопки управления

- **◀▶**: Настраивает станцию. Способ переключения частот можно изменить (см. **4** Режим поиска).

2 Функциональная панель

Коснитесь правой стороны экрана, чтобы отобразить функциональную панель. Коснитесь еще раз, чтобы закрыть панель.

- **TI** (только FM): Выбор режима приема информации о движении.
- **SETUP** (только FM): Отображает экран настройки радио.
- **AME**: Автоматическое программирование радиостанций.
- **PTY** (только FM): Выполняется поиск программы по типу программы.
- **MONO** (только FM): Выбор режима монофонического приема.
- **LO.S** (только FM): Включает или выключает функцию местного поиска.

3 Кнопки диапазонов

Переключение диапазонов (между FM и AM).

4 Режим поиска

Нажмите для переключения режима поиска в следующей последовательности: **AUTO1**, **AUTO2**, **MANUAL**.

- **AUTO1**: Настраивает станцию с хорошим приемом автоматически.
- **AUTO2**: Настройка на сохраненные станции по порядку.

- **MANUAL**: Переключается на следующую частоту вручную.

5 Информационный экран

- Отображает информацию о текущей станции: Частота
Предустановка#: Номер предустановки

6 Список предустановленных настроек

- Коснувшись **◀/▶**, можно изменить размер дисплея.
- Вызывает сохраненную в памяти станцию.
- При нажатии в течении 2 секунд принимаемая в данный момент станция сохраняется в памяти.

Автоматическое запоминание

Вы можете сохранять станции с хорошим сигналом в памяти автоматически.

1 Коснитесь кнопки нужного диапазона (FM / AM).

2 Нажмите **AME** в левой части экрана. Коснитесь **AME**.

3 Коснитесь **Yes**.

- Будет запущено автоматическое запоминание.

Цифровое радио

Чтобы слушать источник цифрового радио, коснитесь иконки **Digital Radio** на экране выбора источника. (с. 147)



1 Кнопки управления

- **Q**: Отображает экран Список сервисов.
- **◀▶**: Настраивает группу, сервис и компонент. Переключение режима поиска можно изменить. (см. **3** Режим поиска).

2 Функциональная панель

Коснитесь правой стороны экрана, чтобы отобразить функциональную панель. Коснитесь еще раз, чтобы закрыть панель.

- **TI**: Выбор режима приема информации о движении.
- **SETUP**: Отображает экран НАСТРОЙКИ цифрового радио.

- **PTY**: Выполняется поиск программы по типу программы.
- **DLS**: Отображение экрана Сегмент динамических меток.

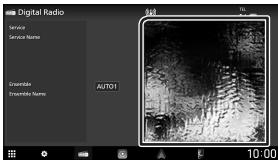
3 Режим поиска

Нажмите для переключения режимов поиска в следующей последовательности: **AUTO1**, **AUTO2**, **MANUAL**.

- **AUTO1**: Настраивает группу с хорошим приемом автоматически.
- **AUTO2**: Настройка на сохраненные группы по порядку.
- **MANUAL**: Переключает на следующую группу вручную.

4 Информационный экран

- Отображает информацию о текущей станции: Наименование сервиса
- Касайтесь, чтобы переключаться между экраном Управление и экраном Информация.



5 Список предустановленных настроек

- Коснувшись **[4/5]**, можно изменить размер дисплея.
- Вызывает сохраненный в памяти сервис.
- При нажатии в течении 2 секунд принимаемая в данный момент станция сохраняется в памяти.

USB/iPod/iPhone

Подключение устройства USB/iPod/iPhone

- 1 Подключите устройство USB с помощью кабеля USB. (с.161)
Подключите iPod/iPhone с помощью KCA-iP103. (с.162)
- 2 Нажмите кнопку **HOME** / **⏻**.
- 3 Коснитесь **[⏻]**.
- 4 Коснитесь **USB** или **iPod**. (с.147)

Отключите устройство USB/iPod/iPhone

- 1 Нажмите кнопку **HOME** / **⏻**.

2 Коснитесь источника, отличного от USB.

3 Отсоедините устройство USB/iPod/iPhone.

Основные операции



1 Кнопки управления

- **[🔍]**: Поиск дорожки/файла.
- **[⏮️ ⏭️]**: Поиск предыдущей/следующей дорожки/файла.
- **[⏸️]**: Воспроизводит или приостанавливает.

2 Список контента

- Коснитесь левой части экрана для отображения списка контента. Коснитесь еще раз, чтобы закрыть список.
- Отображает список воспроизведения. При касании дорожки/имени файла в списке, начинается воспроизведение.

3 Информации о дорожке

- Вывод на экран информации о текущем файле.

4 Функциональная панель (только USB)

Коснитесь правой стороны экрана, чтобы отобразить функциональную панель. Коснитесь еще раз, чтобы закрыть панель.

- **[📁 +]**: поиск предыдущей/следующей папки.

Экран видео (только USB)



5 Область поиска файла (только видеофайл)

Коснитесь, чтобы выполнить поиск следующего/предыдущего файла.

6 Область отображения кнопок (только видеофайл)

Коснитесь, чтобы открыть экран управления.

Операция поиска

Вы можете осуществлять поиск файлов музыки или видео, выполняя нижеуказанные операции.

1 Коснитесь **Q**.

2 Нажмите **▼**.

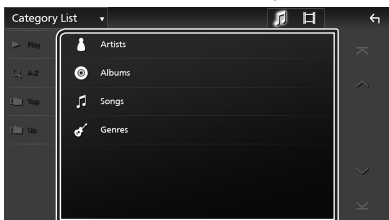


3 Выберите тип списка.



4 Выберите, что искать: аудиофайлы или видеофайлы. (Только USB)

5 Коснитесь желаемой категории.



➤ Отобразится список, соответствующий выбору.

6 Коснитесь, чтобы выбрать нужный элемент списка. Повторяйте этот шаг до тех пор, пока не найдете нужный файл.

Управление Bluetooth

Функция Bluetooth позволяет использовать различные функции, такие как прослушивание аудиофайла и выполнение/прием вызова.

Зарегистрируйте устройство Bluetooth

Требуется зарегистрировать аудио проигрыватель с Bluetooth или смартфон/мобильный телефон в данном устройстве, прежде чем использовать функцию Bluetooth.

Можно зарегистрировать до 10 устройств Bluetooth.

ПРИМЕЧАНИЕ

• Можно зарегистрировать до 10 устройств Bluetooth. Если будет совершена попытка зарегистрировать 11-ое устройство Bluetooth, для его регистрации будет удалено первое из ранее зарегистрированных устройств Bluetooth.

1 Нажмите кнопку **HOME / ⏪**.

2 Коснитесь **⚙**.

3 Коснитесь кнопки **SETUP**.

➤ Появится экран меню НАСТРОЙКИ.

4 Коснитесь **Connections & AV**.

5 Нажмите **Device List**.

6 Выберите тип устройства.

7 Коснитесь **+ []**.

➤ Появится диалоговое окно ожидания сопряжения по Bluetooth.

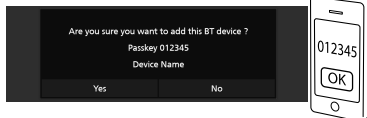


8 Выполните поиск устройства («DMX9720XDS») со своего смартфона/мобильного телефона.

Выполните шаги с 8 по 10 в течение 30 секунд.

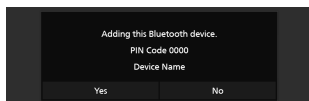
9 Следуйте инструкциям, отображаемым на дисплее смартфона/мобильного телефона.

● Подтвердите запрос на смартфоне/мобильном телефоне.



● Введите PIN-код на смартфоне/мобильном телефоне.

PIN-код по умолчанию установлен на «0000».





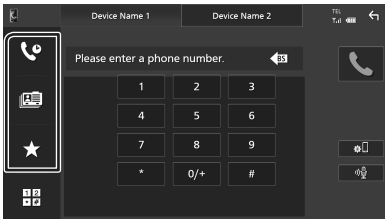
10 Коснитесь **Yes**.





Использование устройства громкой связи

Вы можете использовать функцию телефона, подключив телефон с Bluetooth к данному устройству.



Сделайте вызов

- 1 Нажмите кнопку **HOME** / .
- 2 Коснитесь .
- 3 Нажмите **TEL**.
 - Появится экран громкой связи.
- 4 Выберите способ набора.



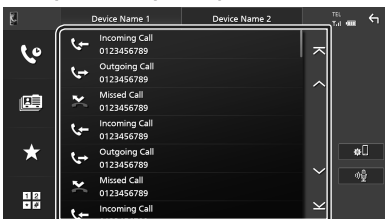
- : Вызов с использованием записей вызова
- : Вызов с использованием телефонной книги
- : Вызов с помощью предустановленного номера
- : Выполните вызов путем ввода номера телефона

Выполните вызов путем ввода номера телефона



- 1 Коснитесь .
- 2 Введите номер телефона при помощи цифровых клавиш.
- 3 Коснитесь .

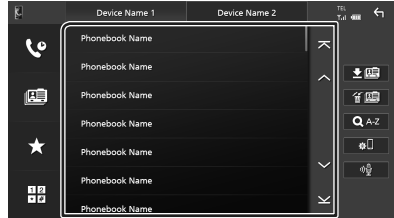
Вызов с использованием записей вызова

- 1 Коснитесь .
- 2 Выберите номер телефона из списка.



Вызов с использованием телефонной книги

- 1 Коснитесь .
- 2 Коснитесь .
- 3 Выберите инициал.
 - Символы без соответствующего названия не появятся.
- 4 Выберите лицо, которому хотите позвонить, из списка.





- 5 Выберите номер телефона из списка.

Вызов с помощью предустановленного номера

- 1 Коснитесь .
- 2 Нажмите на имя или номер телефона.



Прием вызова

- 1 Нажмите , чтобы ответить на входящий вызов, или , чтобы отклонить его.



Чтобы завершить вызов

- 1 При разговоре нажмите .

Подключение/установка

Этот раздел предназначен для профессионального специалиста по установке.

Из соображений безопасности предоставьте проводку и монтаж специалистам.

Проконсультируйтесь с дилером автомобильной аудиосистемы.

Перед установкой

Перед установкой данного устройства имейте в виду следующие меры предосторожности.

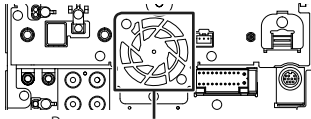
▲ ПРЕДУПРЕЖДЕНИЯ

- Если вы подключаете провод зажигания (красный) и провод аккумулятора (желтый) к шасси автомобиля (масса), это может вызвать короткое замыкание и последующее возгорание. Всегда подключайте эти провода к источнику питания через блок плавких предохранителей.
- Не удаляйте предохранитель из провода зажигания (красный) и провода батареи (желтый). Источник питания должен быть подсоединен к этим проводам через предохранитель.
- Это устройство нужно установить в консоль автомобиля. Не прикасайтесь к металлическим деталям устройства во время и в течение некоторого времени после использования устройства. Металлические детали, таких как радиатор охлаждения и кожух, сильно нагреваются.

▲ ОСТОРОЖНО

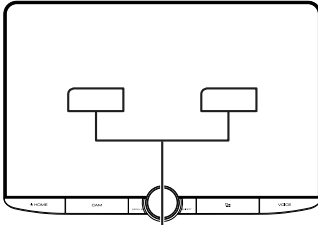
- Это устройство нужно установить в консоль автомобиля. Не прикасайтесь к металлическим деталям устройства во время и в течение некоторого времени после использования устройства. Металлические детали, таких как радиатор охлаждения и кожух, сильно нагреваются.
- #### ПРИМЕЧАНИЕ
- Установка и подключение данного изделия требует умений и опыта. Из соображений безопасности предоставьте установку и подключение специалистам.
 - Не устанавливайте устройство, если оно мешает работе водителя.
 - Отрегулируйте положение панели, чтобы не мешать работе водителя.
 - Убедитесь в том, что устройство заземлено на отрицательный полюс источника питания 12 В постоянного тока.
 - Не устанавливайте устройство в местах, подверженных воздействию прямых солнечных лучей, а также в местах с повышенной температурой или влажностью. Также избегайте сильно запыленных мест и возможного попадания воды.

- Не используйте собственные винты. Применяйте только винты из комплекта поставки. Применение других винтов может привести к повреждению устройства.
- Если питание не включено (Отображается «There is an error in the speaker wiring. Please check the connections.») провод динамика может быть замкнут или касаться шасси автомобиля, а функция защиты может быть активирована. Поэтому провод динамика следует проверить.
- Если зажигание вашего автомобиля не имеет положения АСС, подключите провода зажигания к источнику питания, который можно включать и выключать с помощью ключа зажигания. Если присоединить провод зажигания к источнику питания с постоянной подачей напряжением, например к проводам батареи, батарея может быть разряжена.
- Если консоль имеет крышку, она не будет закрыта, даже если устройство установлено правильно.
- Если сгорел предохранитель, прежде всего убедитесь в отсутствии короткого замыкания проводов, а затем установите новый предохранитель с такими же характеристиками.
- Изолируйте неприсоединенные провода виниловой изоляцией или подобным материалом. Во избежание короткого замыкания не снимайте колпачки с концов свободных проводов или выводов.
- Правильно подключите кабели акустической системы к соответствующим выводам. Если провода ⊖ используются совместно или заземлены на любую металлическую часть автомобиля, устройство может быть повреждено или не работать.
- Если к системе подключаются только два динамика, подключите разъемы либо к обеим передним выходным клеммам, либо к обеим задним выходным клеммам (не смешивайте передние и задние клеммы). Например, если разъем ⊕ левого динамика присоединен к передней выходной клемме, не присоединяйте разъем ⊖ к задней выходной клемме.
- После установки устройства убедитесь, что стоп-сигналы, указатели поворота, стеклоочистители и т.д. автомобиля работают нормально.
- Установите устройство таким образом, чтобы угол его наклона не превышал 30°.
- Данное устройство имеет вентилятор охлаждения для снижения внутренней температуры. Не устанавливайте устройство в месте, где работа охлаждающего вентилятора устройства может оказаться заблокирована. Блокировка этих отверстий воспрепятствует охлаждению внутренней температуры и приведет к неисправности.



Вентилятор охлаждения

- При установке устройства в автомобиль не нажимайте сильно на поверхность панели. Это может привести к возникновению царапин, повреждений или выходу устройства из строя.
- Прием может снизиться, если рядом с антенной Bluetooth имеются металлические объекты.



Модуль антенны Bluetooth/Wi-Fi

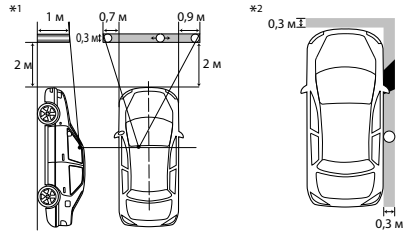
■ Процедура установки

- 1) Во избежание короткого замыкания выньте ключ зажигания и отсоедините клемму ⊖ батареи.
- 2) Снимите детали автомобиля для установки устройства и подключения проводов к терминалу.
- 3) Обеспечьте правильные соединения проводов входа и выхода для каждого устройства.
- 4) Определите высоту дисплейного блока и положение ползунка. См. **Расстояние между дисплейным блоком и основным устройством (с. 154)**.
- 5) Возьмите соединитель В жгута проводки и подсоедините его к соединителю динамика в автомобиле.
- 6) Возьмите соединитель А жгута проводки и подсоедините его к соединителю внешнего питания в автомобиле.
- 7) Присоедините разъем жгута проводов к устройству.
- 8) Установите основное устройство в автомобиле.
- 9) Заново установите детали автомобиля.
- 10) Установите дисплейный блок.
- 11) Подключите разъем ⊖ батареи снова.
- 12) Выполните первоначальную настройку. См. раздел **Начальная НАСТРОЙКА (с. 6)** в инструкции по эксплуатации.

● Переднее и боковое поле зрения

- Чтобы определить переднее и боковое поле зрения водителя в нормальных условиях, установите столб (непосредственно видимый

спереди или видимый через зеркало заднего вида автомобиля), как показано на рисунке.



○ : Столб (высота: 1 м, диаметр: 0,3 м)

■ : Поле зрения с рулевого положения

■ : Освобожденная зона (размер столба нужно отрегулировать)

- Для автомобилей с правосторонним управлением стандарты меняются местами.

*1 Столб должен быть виден с позиции водителя в прямом поле зрения.

*2 Столб должен быть прямо видимым или косвенно видимым через зеркало и т. д. с позиции водителя.

■ Прилагаемые принадлежности для установки

①		⑧	
	x1		x1
②		⑨	
	x1		x2
③		⑩	
	x1		x1
④		⑪	
	x1		x6
⑤			
	x2		
⑥			
	x1		
⑦			
	x1		

Установка устройства

Подтвердите позицию установки дисплейного блока

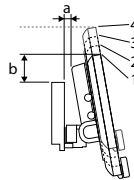
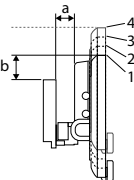
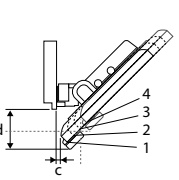
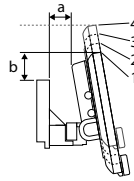
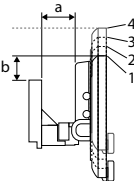
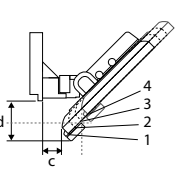
Носители не могут быть установлены

Будет возможно установить, если избежать следующего путем регулировки положения ползунка и высоты дисплея.

При установке устройства нарушается работа рычагов, таких как рычаг переключения передач, рычаг стеклоочистителя, рычаг поворота.	Включатель аварийной сигнализации скрыт с места водителя.	Дисплейный блок ударяется о панель на автомобиле.
		

Расстояние между дисплейным блоком и основным устройством

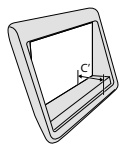
Отрегулируйте положение ползунка и высоту дисплея, чтобы он не мешал движению дисплея.

Положение ползунка	Угол дисплея				Высота дисплея				
	-10°	0°	45°		1	2	3	4	
Задняя позиция				-10°	10				
					a	26,7			
					b	38,1	50,9	63,8	76,5
				0°	a	26,7			
					b	34,7	47,7	60,7	73,7
					c	5,7	14,4	24,1	33,4
			45°	d	55,4	46,3	37,1	27,8	
Переднее положение				-10°	30,1				
					a	26,7			
					b	38,1	50,9	63,8	76,5
				0°	a	26,7			
					b	34,7	47,7	60,7	73,7
					c	25,7	34,9	44,1	53,3
			45°	d	55,4	46,3	37,1	27,8	

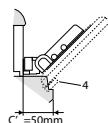
Устройство: мм

Примеры

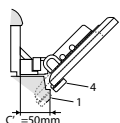
Панель кластера на автомобиле



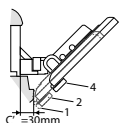
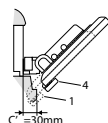
Ползунок в заднем положении



Ползунок в переднем положении



- C' = 50 мм;
Положение ползунка: Переднее положение
Высота дисплея: Установите только «4»

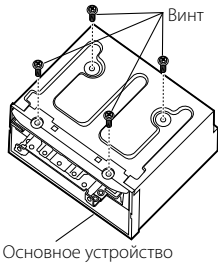


- C' = 30 мм;
Положение ползунка: Задняя позиция
Высота дисплея: Установите только «4»

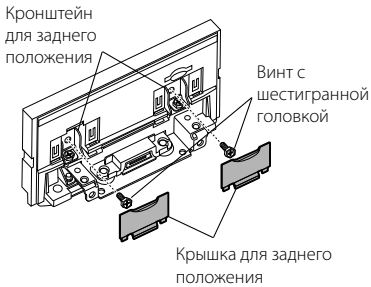
Положение ползунка: Переднее положение
Высота дисплея: Установите «2»~«4»

Расположите ползунков в переднем положении

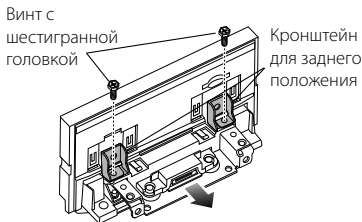
1 Выверните четыре винта из нижней части основного устройства.



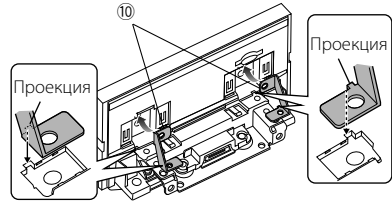
2 Снимите две крышки для заднего положения, а затем удалите два винта с шестигранной головкой из кронштейна для заднего положения.



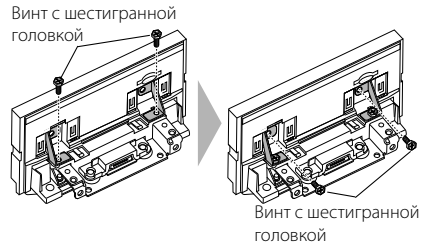
3 Потяните блок ползунка вперед и выверните два винта с шестигранной головкой, чтобы снять кронштейн для заднего положения.



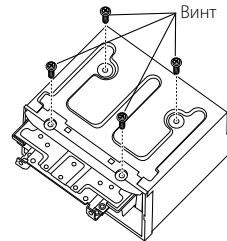
4 Установите кронштейн для переднего положения (дополнительная принадлежность ⑩) с каждой стороны, чтобы его выступы были совмещены с пазами на основном устройстве.



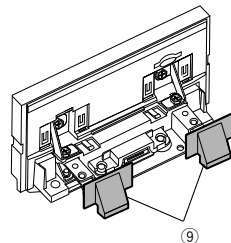
5 Прикрепите кронштейн для переднего положения к блоку ползунка с помощью двух винтов с шестигранной головкой. Нажмите на блок ползунка до упора, а затем прикрепите кронштейн для переднего положения к основному устройству с помощью двух винтов с шестигранной головкой.



6 Заново завинтите четыре винта в нижней части основного устройства.



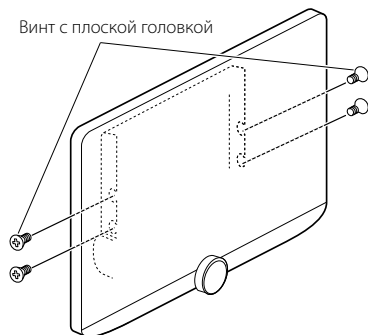
7 Установите крышку для переднего положения (дополнительная принадлежность ⑨) в двух местах, как показано на рисунке.



■ Регулировка высоты дисплея

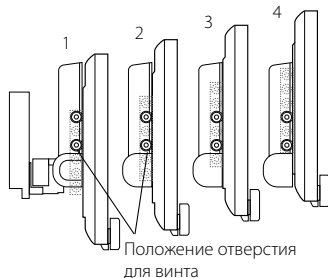
- 1 Выверните четыре винта с плоской головкой с обеих сторон.

Винт с плоской головкой



- 2 Отрегулируйте высоту дисплея в соответствии с положением отверстия для винта.

По умолчанию установлено на «1».



- 3 Заново установите четыре винта с плоской головкой с обеих сторон и закрепите дисплей.

ПРИМЕЧАНИЕ

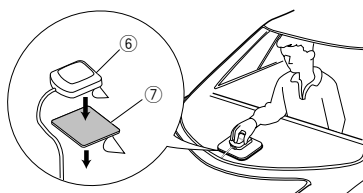
- Правильно закрепите с помощью винтов с плоской головкой. После установки дисплейного блока (дополнительная принадлежность ⑧) на основное устройство наклоните дисплей вперед до упора и убедитесь, что дисплейный блок (дополнительная принадлежность ⑧) не касается деталей автомобиля. Если дисплейный блок касается деталей автомобиля, снова отрегулируйте высоту дисплея.

■ Антенна GPS

Антенна GPS установлена внутри автомобиля. Она должна быть установлена максимально горизонтально, чтобы лучше принимать сигналы спутника GPS.

Чтобы установить антенну GPS внутри автомобиля:

- 1) Очистите панель приборов или другую поверхность.
- 2) Удалите разделитель металлической пластины (дополнительная принадлежность ⑦).
- 3) Нажмите на металлическую пластину (дополнительная принадлежность ⑦) с усилием на панели приборов или другой монтажной поверхности. Можно согнуть металлическую пластину (дополнительная принадлежность ⑦) для соответствия кривой поверхности по необходимости.
- 4) Удалите разделитель антенны GPS (дополнительная принадлежность ⑥) и прикрепите антенну к металлической пластине (дополнительная принадлежность ⑦).

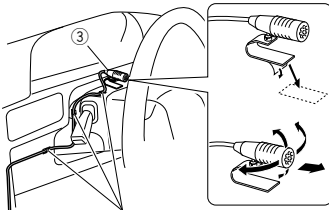


ПРИМЕЧАНИЕ

- Используйте прилагаемую GPS-антенну. Использование другой GPS-антенны может привести к снижению точности определения местоположения.
- В зависимости от типа автомобиля прием сигналов спутника GPS может быть невозможен с внутренней установкой.
- Установите данную GPS-антенну подальше от антенн, которые используются для СВ-радио или спутникового телевидения.
- Антенна GPS должна быть установлена в положении на расстоянии не менее 30 см от смартфона/мобильного телефона или других передающих антенн. Сигналам со спутника GPS могут помешать эти типы соединения.
- Окрасивание антенны GPS (металлической) краской может стать причиной снижения производительности.

Блок микрофона

- 1) Проверьте положение установки микрофона (принадлежность ③).
- 2) Очистите поверхность установки.
- 3) Удалите разделитель микрофона (принадлежность ③) и прикрепите микрофон в место, указанное ниже.
- 4) Подключите кабель микрофона к устройству, закрепленному в нескольких положениях при помощи ленты или другим образом.
- 5) Отрегулируйте направление микрофона (принадлежность ③) к водителю.



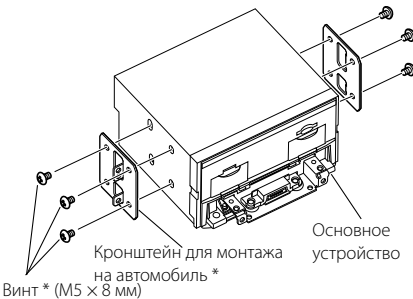
Зафиксируйте кабель доступной лентой.

Установка основного устройства

ПРИМЕЧАНИЕ

- Определите положение ползунка перед установкой основного устройства. (с.155)
Положение ползунка не может быть изменено после установки на автомобиль.
- Убедитесь, что устройство надежно зафиксировано. Если устройство неустойчиво, оно может работать неправильно (например, звук может пропадать).

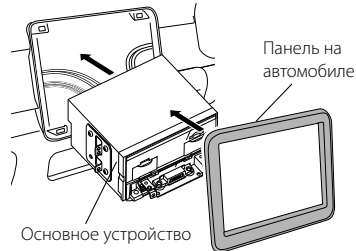
- 1 Снимите детали, которые мешают установке, такие как панель на автомобиле.
- 2 На основное устройство установите кронштейн для монтажа на автомобиль.



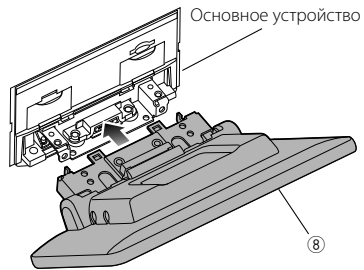
Винт * (M5 × 8 мм)

* Продается отдельно

- 3 Подсоедините провода жгута проводов к периферийному оборудованию.
- 4 Установите основное устройство в автомобиле.
- 5 Установите на место снятые детали, например панель на автомобиле.



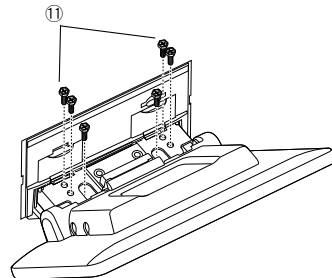
- 6 Установите дисплейный блок (дополнительная принадлежность ⑧) к основному устройству.



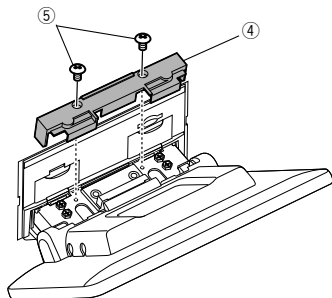
ПРИМЕЧАНИЕ

- Если дисплейный блок касается панели автомобиля, отрегулируйте высоту дисплея, обращаясь к **Регулировка высоты дисплея (с.156)**.

- 7 Закрепите дисплейный блок с помощью шести винтов с шестигранной головкой (дополнительная принадлежность ⑪).



8 Прикрепите защитную крышку (дополнительная принадлежность ④) к соединительной части, а затем закрепите ее двумя винтами с крепежной головкой (дополнительная принадлежность ⑤).



ПРИМЕЧАНИЕ

- Если защитная крышка (дополнительная принадлежность ④) не прикреплена, данное устройство не включается. Даже если устройство включено, питание может быть отключено на полпути. Не забудьте надеть защитную крышку (дополнительная принадлежность ④).

9 Поднимите дисплей вручную.

Руководство к функциям разъема жгута проводов (принадлежность ①)

Контакт	Цвет и функция	
A-4	Желтый	Аккумулятор
A-5	Синий/ Белый [2]	Управление питанием
A-6	Оранжевый/ Белый	Регулятор света
A-7	Красный	Зажигание (ACC)
A-8	Черный	Подключение заземления
V-1/ V-2	Пурпурный (+)/ Пурпурный/Черный (-)	Задний правый
V-3/ V-4	Серый (+)/ Серый/Черный (-)	Передний правый
V-5/ V-6	Белый (+)/ Белый/Черный (-)	Передний левый
V-7/ V-8	Зеленый (+)/ Зеленый/Черный (-)	Задний левый

*Спротивление динамика: 4-8 Ом
 [1] [2]: Синий/белый провод имеется в двух проводах - [1] и [2]. Общий вывод синего/белого провода ([1] + [2]): 12 В --- 350 мА

▲ ПРЕДУПРЕЖДЕНИЕ относительно разъема ISO

Расположение контактов для разъемов ISO зависит от типа автомобиля, на котором Вы передвигаетесь. Обязательно выполните надлежащие соединения для предотвращения повреждения устройства. Соединение по умолчанию для жгута проводов описано в пункте (1) ниже. Если контакты разъема ISO заданы, как описано в пункте (2), выполните подключение, как описано. Обязательно подключите кабель снова, как показано в пункте (2) ниже, для установки этого устройства в автомобиле Volkswagen и тд.

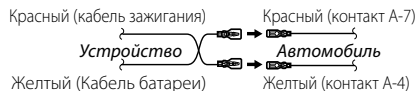
(1): Настройка по умолчанию

Красный контакт (контакт A-7) разъема ISO связан с зажиганием, а желтый - (контакт A-4) связан с постоянной подачей питания.

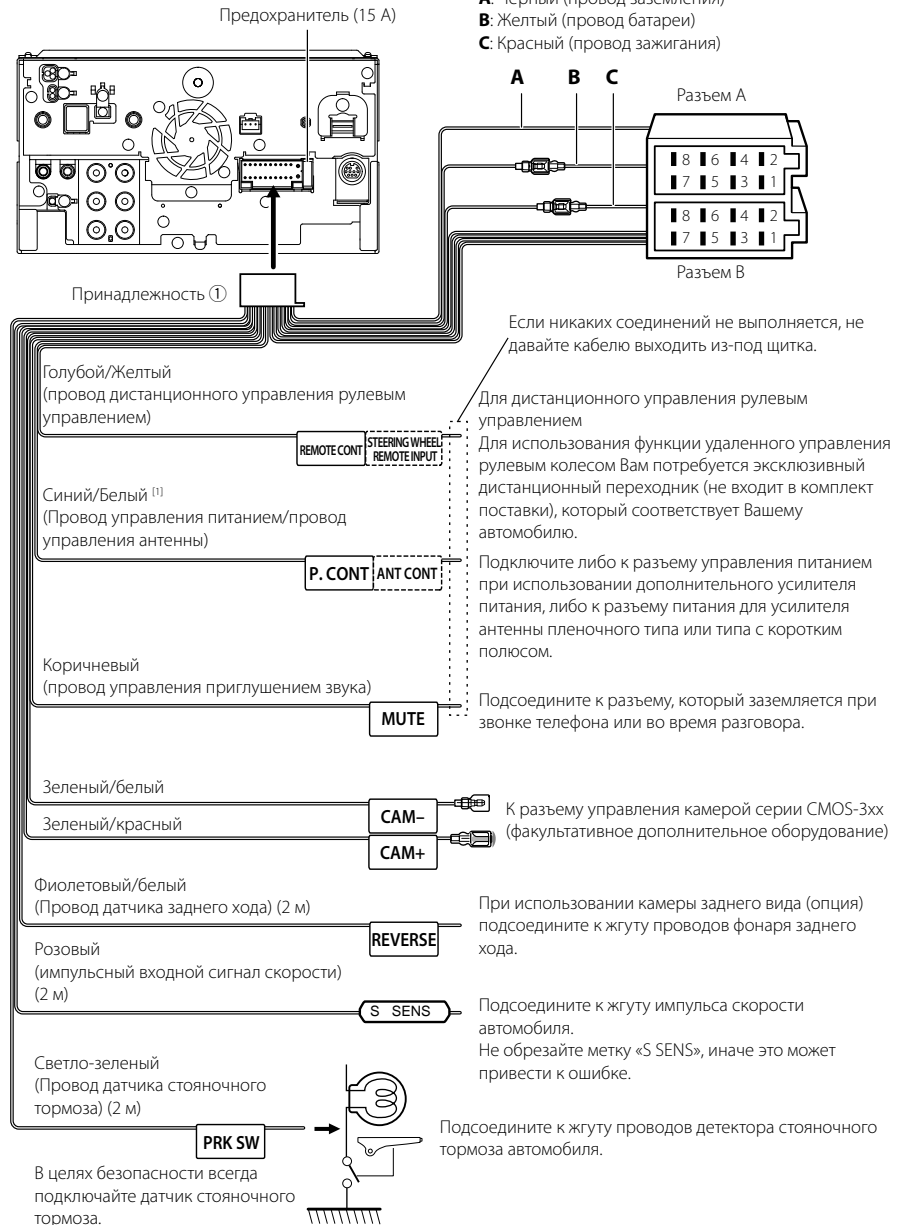


(2)

Красный контакт (контакт A-7) разъема ISO подключен к постоянной подаче питания, а желтый - (контакт A-4) связан с зажиганием.

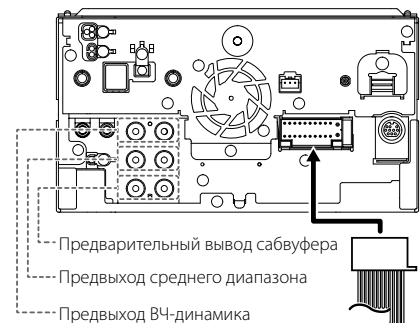


Подсоединение проводов к клеммам

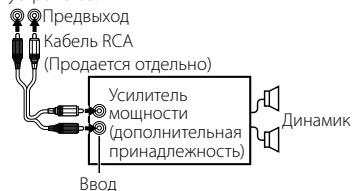


[1] [2]: Синий/белый провод имеется в двух проводах - [1] и [2]. Общий вывод синего/белого провода - ([1] + [2]): 12 В \approx 350 мА

Настройка 3-полосной системы динамиков



При подключении к внешнему усилителю, подключите провод заземления к шасси автомобиля во избежание повреждения устройства.

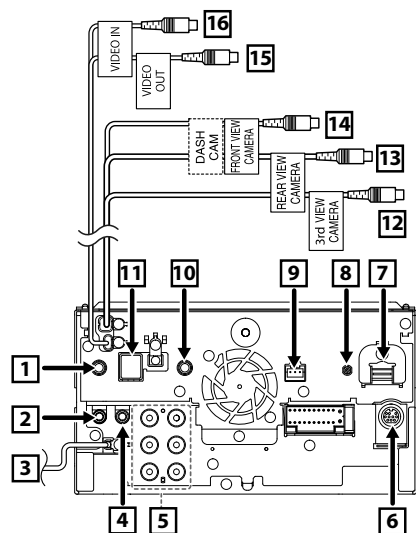


Сопротивление динамика: 4-8 Ом

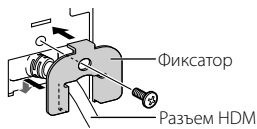
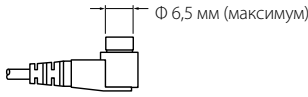
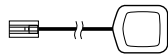
ПРИМЕЧАНИЕ

- Настройку акустической системы см. в разделе **Настройка 3-полосной системы динамиков (с.57)** в инструкции по эксплуатации.
- Информацию по настройке динамика и кроссовера см. в разделе **Настройка динамика/кроссовера (с.58)** в инструкции по эксплуатации.
- Способ подключения проводов динамика к разъемам, отличным от разъемов динамика, и разъемам предвыхода см. в разделе **Подключение системы и внешних компонентов (с.160)** и **Подсоединение проводов к клеммам (с.159)**.

Подключение системы и внешних компонентов



- | | |
|----------|---|
| 1 | Подсоедините к жгуту дистанционной системы рулевого управления автомобиля. За подробной информацией обращайтесь к дилеру KENWOOD. |
| 2 | Принадлежность ③: Микрофон Bluetooth
 |
| 3 | Вход антенны FM/AM
 |
| 4 | Аудиовывод А/В (мини-разъем 3,5) |
| 5 | При подключении к внешнему усилителю, подключите провод заземления к шасси автомобиля во избежание повреждения устройства.
 |
| 6 | Внешний И/Ф
Максимальный ток источника питания:
12 В пост. тока \approx 500 мА |

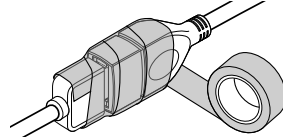
<p>7</p>	<p>Вход HDMI Используйте HDMI-кабель KCA-HD100 (дополнительная принадлежность). Когда подключаете кабель к разъему HDMI, снимите фиксатор. После подключения кабеля снова установите фиксатор.</p> 
<p>8</p>	<p>Антенна для цифрового радио CX-DAB1 (факультативное дополнительное оборудование) ⚠️ Рекомендуется использовать CX-DAB1 (факультативное дополнительное оборудование) в качестве антенны для цифрового радио. Если используется имеющаяся в продаже антенна для цифрового радио, диаметр разъема SMB должен быть $\Phi 6,5$ мм или меньше.</p> 
<p>9</p>	<p>Интерфейс бортовой камеры Подключите бортовую камеру DRV-N520 (факультативное дополнительное оборудование). (с.163)</p>
<p>10</p>	<p>Аудиовход AV (мини-разъем 3,5\emptyset)</p>
<p>11</p>	<p>Принадлежность ⑥: Антенна GPS Используйте прилагаемую GPS-антенну. Использование другой GPS-антенны может привести к снижению точности определения местоположения.</p> 
<p>12</p>	<p>Вход 3-й камеры обзора (желтый). См. Чтобы изменить настройки назначения камеры (с.163).</p>
<p>13</p>	<p>Вход камеры заднего вида (желтый) *1</p>
<p>14</p>	<p>Вход камеры переднего вида/Вход камеры приборной панели (желтый) *2 См. Чтобы изменить настройки назначения камеры (с.163).</p>
<p>15</p>	<p>Выход видео (желтый)</p>
<p>16</p>	<p>Вход видео (желтый)</p>

*1 Подключите камеру HD к входному разъему камеры заднего вида, чтобы использовать видео в HD.

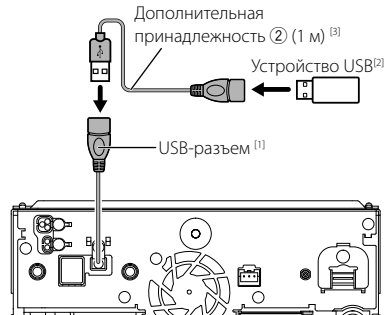
*2 Подключите камеру HD к входному разъему камеры переднего вида/камеры приборной панели, чтобы использовать видео в HD.

■ Закрепление удлинительного кабеля USB

Закрепите удлинительный кабель USB с помощью изолянты или аналогичного материала так, чтобы соединение не было нарушено.



■ Подключение устройства USB



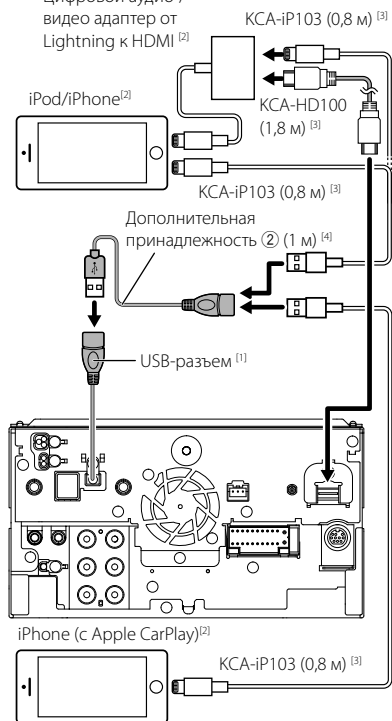
[1] Максимальный ток источника питания USB: 5 В пост. тока \equiv 1,5 А

[2] Продается отдельно

[3] См. **Закрепление удлинительного кабеля USB (с.161).**

Подключение iPod/iPhone

Цифровой аудио-/
видео адаптер от
Lightning к HDMI ^[2]



^[1] Максимальный ток источника питания USB:
5 В пост. тока \approx 1,5 А

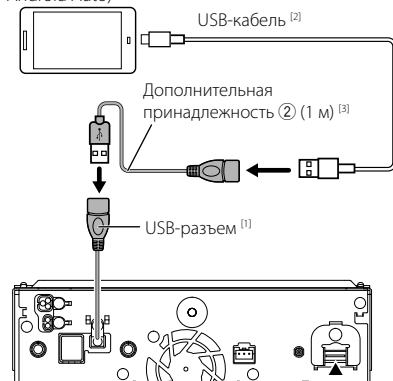
^[2] Продается отдельно

^[3] Дополнительная принадлежность

^[4] См. **Закрепление удлинительного
кабеля USB (с.161).**

Подключение смартфона на платформе Android

Android-смартфон (с
Android Auto) ^[2]

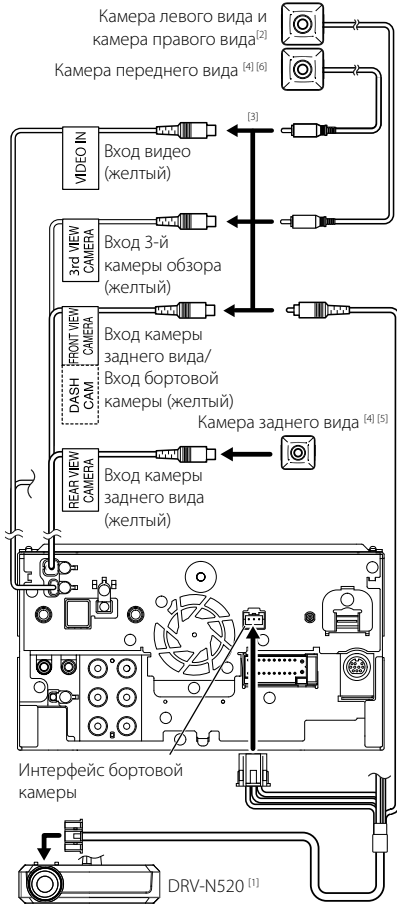


^[1] Максимальный ток источника питания USB:
5 В пост. тока \approx 1,5 А

^[2] Продается отдельно


^[3] См. **Закрепление удлинительного
кабеля USB (с.161).**

Подключение камеры



- ^[1] Дополнительная принадлежность
- ^[2] Продается отдельно
- ^[3] Можно подключить до 3 камер из следующих: бортовая камера, камера переднего вида, камера левого вида и камера правого вида. **(с. 163)**
- ^[4] Серия CMOS-3xx (факультативное дополнительное оборудование) или доступная в продаже камера.
- ^[5] HD-камера также используется в качестве камеры заднего вида для HD-видео.
- ^[6] HD-камера также используется в качестве камеры переднего вида для HD-видео.

Чтобы изменить настройки назначения камеры

- 1 Нажмите кнопку **HOME / ⏻**.
- 2 Коснитесь .
- 3 Коснитесь кнопки **SETUP**.
➤ Появится экран меню НАСТРОЙКИ.
- 4 Нажмите **Camera (Камера)**.
➤ Появится меню настройки камеры.
- 5 Нажмите **Camera Assignment Settings**.
- 6 Выберите элемент для настройки.

REAR VIEW CAMERA

Установите назначение камеры от камеры обзора, подключенной ко входному терминалу камеры заднего вида.

FRONT VIEW CAMERA / DASH CAM

Установите назначение камеры от камеры обзора, подключенной к входному разъему камеры переднего вида/бортовой камеры.

3rd VIEW CAMERA

Установите назначение камеры от камеры обзора, подключенной ко входному терминалу 3-й камеры обзора.

VIDEO IN

Установите назначение камеры от камеры обзора, подключенной к терминалу видеовхода.

7 Выберите камеру обзора для настройки.



- 1 **Picture from view camera**
- 2 **Camera position**
- 3 **Picture quality settings**

8 Коснитесь **Enter**.

■ Copyrights

- The Bluetooth® word mark and logos are registered trademarks owned by Bluetooth SIG, Inc. and any use of such marks by JVCKENWOOD Corporation is under license. Other trademarks and trade names are those of their respective owners.
- DSD, LDAC and LDAC logo are trademarks of Sony Corporation.
- Hi-Res Audio logo and Hi-Res Audio Wireless logo are used under license from Japan Audio Society.



- Windows Media is a registered trademark or trademark of Microsoft Corporation in the United States and/or other countries.
This product is protected by certain intellectual property rights of Microsoft. Use or distribution of such technology outside of this product is prohibited without a license from Microsoft.
- This software is based in part on the work of the independent JPEG Group.
- Use of the Made for Apple badge means that an accessory has been designed to connect specifically to the Apple product(s) identified in the badge, and has been certified by the developer to meet Apple performance standards. Apple is not responsible for the operation of this device or its compliance with safety and regulatory standards. Please note that the use of this accessory with an Apple product may affect wireless performance.
- Apple, iPhone, iPod, iPod touch, and Lightning are trademarks of Apple Inc., registered in the U.S. and other countries.
- Apple, Siri, Apple CarPlay, Apple Music and Apple CarPlay logo are trademarks of Apple Inc., registered in the U.S. and other countries.
- App Store is a service mark of Apple Inc., registered in the U.S. and other countries.
- iOS is a trademark or registered trademark of Cisco in the U.S. and other countries and is used under license.
- INRIX is a registered trademark of INRIX, Inc.
- Google, Android, Google Play and Android Auto are trademarks of Google LLC.
To use Android Auto on your car display, you'll need an Android Auto compatible vehicle or aftermarket stereo, an Android phone running Android 5.0 or higher, and the Android Auto app.
- Wi-Fi® is a registered trademark of Wi-Fi Alliance®.
- The Wi-Fi CERTIFIED™ Logo is a certification mark of Wi-Fi Alliance®.
- Copyright©2018 Techpoint, Inc. All rights reserved.

HD-TV™

- The terms HDMI and HDMI High-Definition Multimedia Interface, and the HDMI Logo are trademarks or registered trademarks of HDMI Licensing Administrator, Inc. in the United States and other countries.
- This product includes FontAvenue® fonts licenced by NEC Corporation. FontAvenue is a registered trademark of NEC Corporation.



- This product includes "Ubiquitous QuickBoot TM" technology developed by Ubiquitous Corp. Ubiquitous QuickBoot TM is a trademark of Ubiquitous Corp. Copyright© 2017 Ubiquitous Corp. All rights reserved.



- THIS PRODUCT IS LICENSED UNDER THE AVC PATENT PORTFOLIO LICENSE FOR THE PERSONAL USE OF A CONSUMER OR OTHER USES IN WHICH IT DOES NOT RECEIVE REMUNERATION TO (i) ENCODE VIDEO IN COMPLIANCE WITH THE AVC STANDARD ("AVC VIDEO") AND/OR (ii) DECODE AVC VIDEO THAT WAS ENCODED BY A CONSUMER ENGAGED IN A PERSONAL ACTIVITY AND/OR WAS OBTAINED FROM A VIDEO PROVIDER LICENSED TO PROVIDE AVC VIDEO. NO LICENSE IS GRANTED OR SHALL BE IMPLIED FOR ANY OTHER USE. ADDITIONAL INFORMATION MAY BE OBTAINED FROM MPEG LA, L.L.C. SEE [HTTPS://WWW.MPEGLA.COM](https://www.mpegla.com)
- THIS PRODUCT IS LICENSED UNDER THE MPEG-4 VISUAL PATENT PORTFOLIO LICENSE FOR THE PERSONAL AND NON-COMMERCIAL USE OF A CONSUMER FOR (i) ENCODING VIDEO IN COMPLIANCE WITH THE MPEG-4 VISUAL STANDARD ("MPEG-4 VIDEO") AND/OR (ii) DECODING MPEG-4 VIDEO THAT WAS ENCODED BY A CONSUMER ENGAGED IN A PERSONAL AND NON-COMMERCIAL ACTIVITY AND/OR WAS OBTAINED FROM A VIDEO PROVIDER LICENSED BY MPEG LA TO PROVIDE MPEG-4 VIDEO. NO LICENSE IS GRANTED OR SHALL BE IMPLIED FOR ANY OTHER USE. ADDITIONAL INFORMATION INCLUDING THAT RELATING TO PROMOTIONAL, INTERNAL AND COMMERCIAL USES AND LICENSING MAY BE OBTAINED FROM MPEG LA, LLC. SEE [HTTPS://WWW.MPEGLA.COM](https://www.mpegla.com)
- THIS PRODUCT IS LICENSED UNDER THE VC-1 PATENT PORTFOLIO LICENSE FOR THE PERSONAL AND NON-COMMERCIAL USE OF A CONSUMER TO (i) ENCODE VIDEO IN COMPLIANCE WITH THE VC-1 STANDARD ("VC-1 VIDEO") AND/OR (ii) DECODE VC-1 VIDEO THAT WAS ENCODED BY A CONSUMER ENGAGED IN A PERSONAL AND NON-COMMERCIAL ACTIVITY AND/OR WAS OBTAINED FROM A VIDEO PROVIDER LICENSED TO PROVIDE VC-1 VIDEO. NO LICENSE IS GRANTED OR SHALL BE IMPLIED FOR ANY OTHER USE. ADDITIONAL INFORMATION MAY BE OBTAINED FROM MPEG LA, L.L.C. SEE [HTTPS://WWW.MPEGLA.COM](https://www.mpegla.com)

- libFLAC

Copyright (C) 2000-2009 Josh Coalson

Copyright (C) 2011-2013 Xiph.Org Foundation

Redistribution and use in source and binary forms, with or without modification, are permitted provided that the following conditions are met:

- Redistributions of source code must retain the above copyright notice, this list of conditions and the following disclaimer.
- Redistributions in binary form must reproduce the above copyright notice, this list of conditions and the following disclaimer in the documentation and/or other materials provided with the distribution.
- Neither the name of the Xiph.org Foundation nor the names of its contributors may be used to endorse or promote products derived from this software without specific prior written permission.

THIS SOFTWARE IS PROVIDED BY THE COPYRIGHT HOLDERS AND CONTRIBUTORS "AS IS" AND ANY EXPRESS OR IMPLIED WARRANTIES, INCLUDING, BUT NOT LIMITED TO, THE IMPLIED WARRANTIES OF MERCHANTABILITY AND FITNESS FOR A PARTICULAR PURPOSE ARE DISCLAIMED. IN NO EVENT SHALL THE FOUNDATION OR CONTRIBUTORS BE LIABLE FOR ANY DIRECT, INDIRECT, INCIDENTAL, SPECIAL, EXEMPLARY, OR CONSEQUENTIAL DAMAGES (INCLUDING, BUT NOT LIMITED TO, PROCUREMENT OF SUBSTITUTE GOODS OR SERVICES; LOSS OF USE, DATA, OR PROFITS; OR BUSINESS INTERRUPTION) HOWEVER CAUSED AND ON ANY THEORY OF LIABILITY, WHETHER IN CONTRACT, STRICT LIABILITY, OR TORT (INCLUDING NEGLIGENCE OR OTHERWISE) ARISING IN ANY WAY OUT OF THE USE OF THIS SOFTWARE, EVEN IF ADVISED OF THE POSSIBILITY OF SUCH DAMAGE.

- libvorbis

Copyright (c) 2002-2008 Xiph.org Foundation

Redistribution and use in source and binary forms, with or without modification, are permitted provided that the following conditions are met:

- Redistributions of source code must retain the above copyright notice, this list of conditions and the following disclaimer.
- Redistributions in binary form must reproduce the above copyright notice, this list of conditions and the following disclaimer in the documentation and/or other materials provided with the distribution.
- Neither the name of the Xiph.org Foundation nor the names of its contributors may be used to endorse or promote products derived from this software without specific prior written permission.

THIS SOFTWARE IS PROVIDED BY THE COPYRIGHT HOLDERS AND CONTRIBUTORS "AS IS" AND ANY EXPRESS OR IMPLIED WARRANTIES, INCLUDING, BUT NOT LIMITED TO, THE IMPLIED WARRANTIES OF MERCHANTABILITY AND FITNESS FOR A PARTICULAR PURPOSE ARE DISCLAIMED. IN NO EVENT SHALL THE

FOUNDATION OR CONTRIBUTORS BE LIABLE FOR ANY DIRECT, INDIRECT, INCIDENTAL, SPECIAL, EXEMPLARY, OR CONSEQUENTIAL DAMAGES (INCLUDING, BUT NOT LIMITED TO, PROCUREMENT OF SUBSTITUTE GOODS OR SERVICES; LOSS OF USE, DATA, OR PROFITS; OR BUSINESS INTERRUPTION) HOWEVER CAUSED AND ON ANY THEORY OF LIABILITY, WHETHER IN CONTRACT, STRICT LIABILITY, OR TORT (INCLUDING NEGLIGENCE OR OTHERWISE) ARISING IN ANY WAY OUT OF THE USE OF THIS SOFTWARE, EVEN IF ADVISED OF THE POSSIBILITY OF SUCH DAMAGE.

- libogg

Copyright (c) 2002, Xiph.org Foundation

Redistribution and use in source and binary forms, with or without modification, are permitted provided that the following conditions are met:

- Redistributions of source code must retain the above copyright notice, this list of conditions and the following disclaimer.
- Redistributions in binary form must reproduce the above copyright notice, this list of conditions and the following disclaimer in the documentation and/or other materials provided with the distribution.
- Neither the name of the Xiph.org Foundation nor the names of its contributors may be used to endorse or promote products derived from this software without specific prior written permission.

THIS SOFTWARE IS PROVIDED BY THE COPYRIGHT HOLDERS AND CONTRIBUTORS "AS IS" AND ANY EXPRESS OR IMPLIED WARRANTIES, INCLUDING, BUT NOT LIMITED TO, THE IMPLIED WARRANTIES OF MERCHANTABILITY AND FITNESS FOR A PARTICULAR PURPOSE ARE DISCLAIMED. IN NO EVENT SHALL THE FOUNDATION OR CONTRIBUTORS BE LIABLE FOR ANY DIRECT, INDIRECT, INCIDENTAL, SPECIAL, EXEMPLARY, OR CONSEQUENTIAL DAMAGES (INCLUDING, BUT NOT LIMITED TO, PROCUREMENT OF SUBSTITUTE GOODS OR SERVICES; LOSS OF USE, DATA, OR PROFITS; OR BUSINESS INTERRUPTION) HOWEVER CAUSED AND ON ANY THEORY OF LIABILITY, WHETHER IN CONTRACT, STRICT LIABILITY, OR TORT (INCLUDING NEGLIGENCE OR OTHERWISE) ARISING IN ANY WAY OUT OF THE USE OF THIS SOFTWARE, EVEN IF ADVISED OF THE POSSIBILITY OF SUCH DAMAGE.

Information on Disposal of Old Electrical and Electronic Equipment and Batteries (applicable for EU countries that have adopted separate waste collection systems)

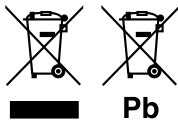
Products and batteries with the symbol (crossed-out wheeled bin) cannot be disposed as household waste.

Old electrical and electronic equipment and batteries should be recycled at a facility capable of handling these items and their waste byproducts.

Contact your local authority for details in locating a recycle facility nearest to you.

Proper recycling and waste disposal will help conserve resources whilst preventing detrimental effects on our health and the environment.

Notice: The sign "Pb" below the symbol for batteries indicates that this battery contains lead.



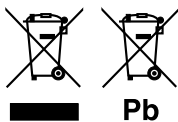
מידע בדבר השלכה לאשפה של ציוד חשמלי ואלקטרוני ישן וכן סוללות (רלוונטי למדינות שמשמשות במערכת איסוף אשפה מופרדת).

לא ניתן להשליך מוצרים וסוללות עם הסימון (פח אשפה עם X עליו) כאשפה ביתית רגילה.

יש למחזר ציוד חשמלי ואלקטרוני ישן וכן סוללות במתקן המסוגל לטפל בפריטים כאלה ובתוצרי הלוואי שלהם.

צרו קשר עם הרשות המקומית לקבלת פרטים אודות מתקן המיחזור הקרוב אליכם. מיחזור והשלכה לאשפה נאותים יעזרו לשמר משאבים ולמנוע השפעות שליליות על בריאותנו ועל הסביבה.

שימו לב: הסימון Pb שמתחת לסימון עבור סוללות מציינ שהסוללה מכילה עופרת.



Informations sur l'élimination des anciens équipements électriques et électroniques et piles électriques (applicables dans les pays européens qui ont adopté des systèmes de collecte sélective)

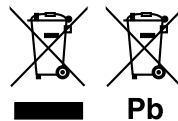
Les produits et piles électriques sur lesquels le pictogramme (poubelle barrée) est apposé ne peuvent pas être éliminés comme ordures ménagères.

Les anciens équipements électriques et électroniques et les piles électriques doivent être recyclés sur des sites capables de traiter ces produits et leurs sous-produits déchets.

Contactez vos autorités locales pour connaître le site de recyclage le plus proche.

Un recyclage adapté et l'élimination des déchets aideront à conserver les ressources et à nous préserver des leurs effets nocifs sur notre santé et sur l'environnement.

Avis : La marque "Pb" en dessous du symbole des piles indique que cette pile contient du plomb.



Entsorgung von gebrauchten elektrischen und elektronischen Geräten und Batterien (anzuwenden in EU-Ländern mit einem separaten Sammelsystem für solche Geräte)

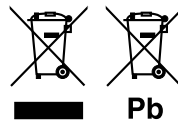
Das Symbol (durchgestrichene Mülltonne) auf dem Produkt oder seiner Verpackung weist darauf hin, dass dieses Produkt nicht als normaler Haushaltsabfall behandelt werden darf.

Alte elektrische und elektronische Geräte müssen in einer Anlage recycelt werden, die für den Umgang mit diesen Artikeln und dem Begleitabfall geeignet sind.

Unsachgemäße oder falsche Entsorgung gefährden Umwelt und Gesundheit.

Weitere Informationen über das Recycling dieses Produktes erhalten Sie von Ihrer Gemeinde oder den kommunalen Entsorgungsbetrieben.

Hinweis: Das Zeichen „Pb“ unter dem Symbol für Batterien zeigt an, dass diese Batterie Blei enthält.



■ Informatie over het weggooien van gebruikte elektrische en elektronische apparatuur en batterijen (voor EU-landen die gescheiden vuilverwerkingssystemen gebruiken)

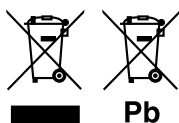
Producten en batterijen met dit symbool (doorkruiste vuilnisbak) kunnen niet als gewoon huisvuil worden weggegooid.

Oude elektrische en elektronische apparaten en batterijen moeten worden gerecycled door een hiervoor geschikte faciliteit.

Raadpleeg de lokale betreffende instantie voor details aangaande een geschikte recycle-faciliteit in uw buurt.

Het juist recyclen en weggooien van vuil helpt bronnen te besparen en vermindert een schadelijke invloed op uw gezondheid en het milieu.

Opmerking: De "Pb"-markering onder het symbool voor batterijen geeft aan dat de batterij lood bevat.



■ Informazioni sull'eliminazione dei prodotti elettrici ed elettronici e delle batterie (per i paesi UE che adottano la raccolta differenziata dei rifiuti)

I prodotti e le batterie che recano questo simbolo (bidone della spazzatura barrato con una croce) non devono essere eliminati come rifiuti solidi urbani.

I prodotti elettrici ed elettronici nonché le batterie devono essere riciclati in appositi centri attrezzati anche per la gestione dei prodotti da essi derivati.

Per informazioni dettagliate sui centri di riciclaggio più vicini si suggerisce di chiedere al proprio rivenditore.

Se eseguiti correttamente, l'eliminazione e il riciclaggio di questi prodotti aiutano a conservare le risorse e a prevenire gli effetti nocivi sulla salute e l'ambiente.

Attenzione: La sigla "Pb" che appare sotto il simbolo delle batterie indica che contengono piombo.



■ Información acerca de la eliminación de equipos eléctricos, electrónicos y baterías al final de su vida útil (aplicable a los países de la UE que hayan adoptado sistemas independientes de recogida de residuos)

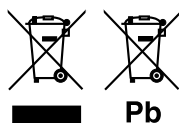
Los productos y las pilas con el símbolo (cubo de basura tachado) no podrán ser desechados como residuos domésticos.

Las pilas y los equipos eléctricos y electrónicos usados se deben reciclar en instalaciones que gestionen tales elementos y residuos.

Póngase en contacto con la autoridad local para obtener detalles acerca de una planta de reciclaje cercana.

Un reciclaje y tratamiento de residuos correcto ayudará a conservar los recursos a la vez que evitará efectos perjudiciales para nuestra salud y el medio ambiente.

Nota: El símbolo "Pb", debajo del símbolo de las pilas, indica que esta pila contiene plomo.



■ Informações sobre a Eliminação de Baterias e de Equipamentos Elétricos e Eletrônicos Usados (aplicável nos países da UE que adotaram sistemas de recolha separada de resíduos)

Produtos e baterias com o símbolo (contentor de lixo com rodas barrado com uma cruz) não podem ser eliminados como lixo doméstico.

As baterias e os equipamentos elétricos e eletrônicos usados devem ser reciclados em uma instalação capaz de manusear esses itens e seus subprodutos residuais.

Contacte a autoridade local para os detalhes sobre a localização da instalação de reciclagem mais próxima.

A reciclagem e eliminação de lixo adequada ajudará a preservar os recursos naturais, ao mesmo tempo que prevenirá efeitos prejudiciais à nossa saúde e meio ambiente.

Aviso: O sinal "Pb" abaixo do símbolo para baterias indica que a bateria contém chumbo.



■ Информация об утилизации отслуживших электрических и электронных приборов и батарей (относится к странам ЕС, которые используют систему раздельного сбора отходов)

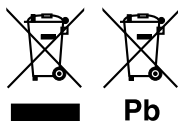
Изделия и батареи с данным символом (перечеркнутый мусорный контейнер на колесиках) не могут утилизироваться вместе с домашними отходами.

Отслужившие электрические и электронные приборы и батареи должны перерабатываться на предприятиях, предназначенных для их переработки и последующей утилизации отходов от переработки.

Свяжитесь с местными властями, чтобы узнать подробнее о ближайшем от Вас предприятии.

Правильная переработка и утилизация отходов поможет сберечь ресурсы и предотвратить негативное воздействие на окружающую среду и здоровье человека.

Уведомление: Значок «Pb» под значком батарей указывает на содержание свинца.



Дата изготовления (месяц/год) находится на этикетке устройства.

В соответствии с Законом Российской Федерации «О защите прав потребителей» срок службы (годности) данного товара, «по истечении которого он может представлять опасность для жизни, здоровья потребителя, причинять вред его имуществу или окружающей среде» составляет семь (7) лет со дня производства. Этот срок является временем, в течение которого потребитель данного товара может безопасно им пользоваться при условии соблюдения инструкции по эксплуатации данного товара, проводя необходимое обслуживание, включающее замену расходных материалов и/или соответствующее ремонтное обеспечение в специализированном сервисном центре.

Дополнительные косметические материалы к данному товару, поставляемые вместе с ним, могут храниться в течение двух (2) лет со дня его производства.

Срок службы (годности), кроме срока хранения дополнительных косметических материалов, упомянутых в предыдущих двух пунктах, не затрагивает никаких других прав потребителя, в частности, гарантийного свидетельства KENWOOD, которое он может получить в соответствии с законом о правах потребителя или других законов, связанных с ним.

Условия хранения:

Температура: от -30°C до $+85^{\circ}\text{C}$

Влажность: от 0% до 90%



Declaration of Conformity with regard to the RE Directive 2014/53/EU

Declaration of Conformity with regard to the RoHS Directive 2011/65/EU

Manufacturer:

JVCKENWOOD Corporation
3-12, Moriyacho, Kanagawa-ku, Yokohama-shi,
Kanagawa 221-0022, JAPAN

EU Representative:

JVCKENWOOD Europe B.V.
Amsterdamseweg 37, 1422 AC UITHOORN, THE
NETHERLANDS

Déclaration de conformité se rapportant à la directive RE 2014/53/EU

Déclaration de conformité se rapportant à la directive RoHS 2011/65/UE

Fabricant:

JVCKENWOOD Corporation
3-12, Moriyacho, Kanagawa-ku, Yokohama-shi,
Kanagawa 221-0022, JAPON

Représentant dans l'UE :

JVCKENWOOD Europe B.V.
Amsterdamseweg 37, 1422 AC UITHOORN, PAYS-
BAS

Konformitätserklärung in Bezug auf die RE-Richtlinie 2014/53/EU

Konformitätserklärung in Bezug auf die RoHS-Richtlinie 2011/65/UE

Hersteller:

JVCKENWOOD Corporation
3-12, Moriyacho, Kanagawa-ku, Yokohama-shi,
Kanagawa 221-0022, JAPAN

EU-Vertreter:

JVCKENWOOD Europa B.V.
Amsterdamseweg 37, 1422 AC UITHOORN,
NIEDERLANDE

Conformiteitsverklaring met betrekking tot RE-richtlijn 2014/53/EU

Conformiteitsverklaring met betrekking tot RoHS-richtlijn 2011/65/UE

Fabrikant:

JVCKENWOOD Corporation
3-12, Moriyacho, Kanagawa-ku, Yokohama-shi,
Kanagawa 221-0022, JAPAN

EU-vertegenwoordiger:

JVCKENWOOD Europa B.V.
Amsterdamseweg 37, 1422 AC UITHOORN,
Nederland

Dichiarazione di conformità relativa alla direttiva RE 2014/53/UE

Dichiarazione di conformità relativa alla direttiva RoHS 2011/65/UE

Produttore:

JVCKENWOOD Corporation
3-12, Moriyacho, Kanagawa-ku, Yokohama-shi,
Kanagawa 221-0022, JAPAN

Rappresentante UE:

JVCKENWOOD Europe B.V.
Amsterdamseweg 37, 1422 AC UITHOORN, THE
NETHERLANDS

Declaración de conformidad con respecto a la Directiva RE 2014/53/UE

Declaración de conformidad con respecto a la Directiva RoHS 2011/65/UE

Fabricante:

JVCKENWOOD Corporation
3-12, Moriyacho, Kanagawa-ku, Yokohama-shi,
Kanagawa 221-0022, JAPAN

Representante en la UE:

JVCKENWOOD Europe B.V.
Amsterdamseweg 37, 1422 AC UITHOORN, PAÍSES
BAJOS

Declaração de Conformidade relativa à Diretiva RE 2014/53/UE

Declaração de conformidade relativa à Diretiva RoHS 2011/65/UE

Fabricante:

JVCKENWOOD Corporation
3-12, Moriyacho, Kanagawa-ku, Yokohama-shi,
Kanagawa 221-0022, JAPÃO

Representante na UE:

JVCKENWOOD Europe B.V.
Amsterdamseweg 37, 1422 AC UITHOORN, PAÍSES
BAIXOS

Декларация соответствия относительно Директивы RE 2014/53/ЕU

Декларация соответствия относительно Директивы RoHS 2011/65/ЕU

Производитель:

JVCKENWOOD Corporation
3-12, Moriyacho, Kanagawa-ku, Yokohama-shi,
Kanagawa 221-0022, ЯПОНИЯ

Представительство в ЕС:

JVCKENWOOD Europe B.V.
Amsterdamseweg 37, 1422 AC UITHOORN, THE
NETHERLANDS

English

Hereby, JVCKENWOOD declares that the radio equipment DMX9720XDS is in compliance with Directive 2014/53/EU. The full text of the EU declaration of conformity is available at the following internet address:

Français

Par la présente, JVCKENWOOD déclare que l'équipement radio DMX9720XDS est conforme à la directive 2014/53/UE. L'intégralité de la déclaration de conformité UE est disponible à l'adresse Internet suivante :

Deutsch

Hiermit erklärt JVCケンウッド, dass das Funkgerät DMX9720XDS der Richtlinie 2014/53/EU entspricht. Der volle Text der EU-Konformitätserklärung steht unter der folgenden Internetadresse zur Verfügung:

Nederlands

Hierbij verklaart JVCケンWOOD dat de radioapparatuur DMX9720XDS in overeenstemming is met Richtlijn 2014/53/EU. De volledige tekst van de EU-verklaring van overeenstemming is te vinden op het volgende internetadres:

Italiano

Con la presente, JVCケンWOOD dichiara che l'apparecchio radio DMX9720XDS è conforme alla Direttiva 2014/53/UE. Il testo integrale della dichiarazione di conformità UE è disponibile al seguente indirizzo internet:

Español

Por la presente, JVCケンWOOD declara que el equipo de radio DMX9720XDS cumple la Directiva 2014/53/UE. El texto completo de la declaración de conformidad con la UE está disponible en la siguiente dirección de internet:

Português

Deste modo, a JVCケンWOOD declara que o equipamento de rádio DMX9720XDS está em conformidade com a Diretiva 2014/53/UE. O texto integral da declaração de conformidade da UE está disponível no seguinte endereço de internet:

Polska

Niniejszym, JVCケンWOOD deklaruje, że sprzęt radiowy DMX9720XDS jest zgodny z dyrektywą 2014/53/UE. Pełny tekst deklaracji zgodności EU jest dostępny pod adresem:

Český

Společnost JVCケンWOOD tímto prohlašuje, že rádiové zařízení DMX9720XDS splňuje podmínky směrnice 2014/53/EU. Plný text EU prohlášení o shodě je dostupný na následující internetové adrese:

Magyar

JVCケンWOOD ezennel kijelenti, hogy a DMX9720XDS rádióberendezés megfelel a 2014/53/EU irányelvnek. Az EU konformitási nyilatkozat teljes szövege az alábbi weboldalon érhető el:

Hrvatski

JVCケンWOOD ovim izjavljuje da je radio oprema DMX9720XDS u skladu s Direktivom 2014/53/EU. Cjeloviti tekst deklaracije Europske unije o usklađenosti dostupan je na sljedećoj internet adresi:

Svenska

Härmed försäkras JVCケンWOOD att radioutrustningen DMX9720XDS är i enlighet med direktiv 2014/53 / EU. Den fullständiga texten av EU-försäkran om överensstämmelse finns på följande Internetadress :

Suomi

JVCケンWOOD julistaa täten, että radiolaitte DMX9720XDS on direktiivin 2014/53/EU mukainen. EU-vaatimustenmukaisuusvakuutus löytyy kokonaisuudessaan seuraavasta internet-osoitteesta:

Slovensko

S tem JVCケンWOOD izjavlja, da je radijska oprema DMX9720XDS v skladu z Direktivo 2014/53/EU. Celotno besedilo direktive EU o skladnosti je dostopno na tem spletnem naslovu:

Slovensky

Spoločnosť JVCケンWOOD týmto vyhlasuje, že rádiové zariadenie DMX9720XDS vyhovuje smernici 2014/53/EU. Celý text EU vyhlásenia o zhode nájdete na nasledovnej internetovej adrese:

Dansk

Herved erklærer JVCケンWOOD, at radioudstyret DMX9720XDS er i overensstemmelse med Direktiv 2014/53/EU. EU-overensstemmelseserklæringens fulde ordlyd er tilgængelig på følgende internetadresse:

Norsk

JVCケンWOOD erklærer herved at radioustyret DMX9720XDS er i samsvar med Direktiv 2014/53/EU. Den fullstendige teksten til EU-konformitetserklæringen er tilgjengelig på følgende internetadresse:

Ελληνικά

Με το παρόν, η JVCケンWOOD δηλώνει ότι ο ραδιοεξοπλισμός DMX9720XDS συμμορφώνεται με την Οδηγία 2014/53/ΕΕ. Το πλήρες κείμενο της δήλωσης συμμόρφωσης της ΕΕ είναι διαθέσιμο στην ακόλουθη διεύθυνση στο διαδίκτυο:

Eesti

Käesolevaga JVCケンWOOD kinnitab, et DMX9720XDS raadiovarustus on vastavuses direktiiviga 2014/53/EL. Elu vastavusdeklaratsiooni terviktekst on kättesaadav järgmisel internetiaadressil:

Latviešu

JVCケンWOOD ar šo deklarē, ka radio aparatūra DMX9720XDS atbilst direktīvas 2014/53/ES prasībām. Pilns ES atbilstības deklarācijas teksts ir pieejams šādā tīmekļa adresē:

Lietuviškai

Šiuo JVCケンWOOD pažymi, kad radijo įranga DMX9720XDS atitinka 2014/53/EB direktyvos reikalavimus. Visą EB direktyvos atitikties deklaracijos tekstą galite rasti šiuo internetiniu adresu:

Malti

B'dan, JVCケンWOOD jiddikjara li t-tagħmir tar-radju DMX9720XDS huwa konformi mad-Direttiva 2014/53/UE. It-test kollu tad-dikjarazzjoni ta' konformita huwa disponibbli fl-indirizz intranet li gej:

Українська

Таким чином, компанія JVCケンWOOD заявляє, що радіобладнання DMX9720XDS відповідає Директиві 2014/53/ЕU. Повний текст декларації про відповідність ЄС можна знайти в Інтернеті за такою адресою:

Türkçe

Burada, JVCケンWOOD DMX9720XDS radyo ekipmanının 2014/53/AB Direktifine uygun olduğunu bildirir. AB uyumluluk deklarasyonunun tam metni aşağıdaki internet adresinde mevcuttur.

Русский

JVCケンWOOD настоящим заявляет, что радиооборудование DMX9720XDS соответствует Директиве 2014/53/EU. Полный текст декларации соответствия ЕС доступен по следующему адресу в сети Интернет:

Limba română

Prin prezenta, JVCケンWOOD declară că echipamentul radio DMX9720XDS este în conformitate cu Directiva 2014/53/UE. Textul integral al declarației de conformitate UE este disponibil la următoarea adresă de internet:

Български език

С настоящото JVCケンWOOD декларира, че радиооборудването на DMX9720XDS е в съответствие с Директива 2014/53/ЕС. Пълният текст на ЕС декларацията за съответствие е достъпен на следния интернет адрес:

URL: <https://www.kenwood.com/euukdc/>



**Declaration of Conformity with regard to
the Radio Equipment Regulations 2017 (S.I.
2017/1206)**

**Declaration of Conformity with regard to the
Restriction of the Use of Certain Hazardous
Substances in Electrical and Electronic
Equipment Regulations 2012 (S.I. 2012/3032)**

Manufacturer:

JVCKENWOOD Corporation
3-12, Moriya-cho, Kanagawa-ku, Yokohama-shi,
Kanagawa, 221-0022, JAPAN

UK Importer:

JVCKENWOOD U.K. Limited
First Floor, Gleneagles, the Belfry, Colonial Way,
Watford, Hertfordshire WD24 4WH, UNITED
KINGDOM

Hereby, JVCKENWOOD declares that the radio
equipment "DMX9720XDS" is in compliance with
the relevant statutory requirements.

The full text of the declaration of conformity is
available at the following internet address:

<https://www.kenwood.com/euukdoc/>

KENWOOD